

Accessory Dwelling Unit 1 Bedroom B - 558 s.f. Inyo County, CA

APPLICANT AGREEMENT

APPLICANT AGREES TO PROVIDE ALL NECESSARY INFORMATION REQUIRED TO COMPLETE THESE CONSTRUCTION DOCUMENTS. MODIFICATIONS TO THE PERMIT READY DOCUMENTS PROVIDED BY DESIGN PATH STUDIO ARE TO BE DISCLOSED BY THE APPLICANT AND APPROVED BY THE AUTHORITY HAVING JURISDICTION. ANY MODIFICATIONS TO THESE CONSTRUCTION DOCUMENTS REQUIRES EACH SHEET TO BE SIGNED BY THE PERSON WHO MADE THE CHANGES. ANY ADDITIONAL SHEETS INCORPORATED INTO THESE DOCUMENTS ALSO REQUIRES A SIGNATURE BY THE PERSON WHO PREPARED THE INFORMATION. THE FOUNDATION DESIGN FOR THESE PERMIT READY CONSTRUCTION DOCUMENTS ASSUMES STANDARD SOILS CONDITIONS AND LEVEL TOPOGRAPHY. IF SITE SPECIFIC CONDITIONS REQUIRE A FOUNDATION DESIGN BEYOND WHAT IS PROVIDED IN THESE DOCUMENTS THEN THE APPLICANT IS TO PROVIDE A NEW FOUNDATION DESIGN WHICH COMPLIES WITH THE RECOMMENDATIONS OF THE GEOTECHNICAL ENGINEER'S REPORT.

BY SIGNING BELOW THE APPLICANT AGREES TO AND AFFIRMS ALL STATEMENTS INCLUDED HEREIN AND WILL COMPLY WITH ALL LOCAL CODE REQUIREMENTS.

SIGNATURE: _____ DATE: _____

SHEET INDEX

T1.1	TITLE SHEET
T1.2	EXTERIOR STYLE OPTIONS
AS.1	SITE INFORMATION
AS.2	SITE PLAN (PROVIDED BY OWNER)
G0.1	RESIDENTIAL MANDATORY FEATURES 2022 CALGREEN
G0.2	GENERAL NOTES
G0.3	GENERAL NOTES
G0.4	GENERAL NOTES
A0.1	DOOR AND WINDOW SCHEDULES
A1.1	FLOOR PLAN/ ROOF PLAN RANCH
A1.2	FLOOR PLAN/ ROOF PLAN SPANISH
A1.3	FLOOR PLAN/ ROOF PLAN TRADITIONAL
A2.1	MECHANICAL/PLUMBING/ELECTRICAL PLANS
A3.1	EXTERIOR ELEVATIONS RANCH
A3.2	EXTERIOR ELEVATIONS SPANISH
A3.3	EXTERIOR ELEVATIONS TRADITIONAL
A4.1	BUILDING SECTIONS RANCH
A4.2	BUILDING SECTIONS SPANISH
A4.3	BUILDING SECTIONS TRADITIONAL
AS.1	ARCHITECTURAL WALL FINISH DETAILS
AS.2	ARCHITECTURAL ROOF FINISH DETAILS
S.1	STRUCTURAL NOTES & SPECIFICATIONS
S.2	FOUNDATION AND FRAMING PLANS RANCH
S.3	FOUNDATION AND FRAMING PLANS SPANISH
S.4	FOUNDATION AND FRAMING PLANS TRADITIONAL
S.5	STRUCTURAL DETAILS
S.6	STRUCTURAL DETAILS
T24.1	ENERGY CALC.- BISHOP
T24.2	ENERGY CALC.- BISHOP
T24.3	ENERGY CALC.- BISHOP
T24.4	ENERGY CALC.- DEATH VALLEY
T24.5	ENERGY CALC.- DEATH VALLEY
T24.6	ENERGY CALC.- DEATH VALLEY

CONTACT LOCAL UTILITY COMPANIES REGARDING GAS AND ELECTRIC SERVICES TO THIS DETACHED ADU. SEE EXAMPLE SITE PLAN, SHEET AS.2, FOR MORE INFORMATION

ZONING INFORMATION

CONTACT INYO COUNTY FOR THE INFORMATION BELOW
pw.permits@inyocounty.us PHONE:(760)878-0263

ZONING :
OVERLAY :
LOT SIZE :
EXISTING HABITABLE SQ. FT. :
EXISTING FAR :
MAX. ALLOWABLE FAR :
PROPOSED FAR :
FLOOR AREA OF GARAGE:
EXISTING LOT COVERAGE:
ALLOWABLE LOT COVERAGE :
PROPOSED LOT COVERAGE :
LOT SLOPE :

DIRECTORY

SITE PLAN & TITLE SHEET INFORMATION PREPARED BY:
COMPANY
CONTACT PERSON
ADDRESS
PHONE
EMAIL
PROPERTY OWNER:
NAME
ADDRESS
PHONE
EMAIL
BUILDING DEPARTMENT:
INYO COUNTY: BUILDING SAFETY & DEPARTMENT
377 W. LINE ST.
BISHOP, CA 93514
P. (760)873-7857

VICINITY MAP

PROVIDED BY OWNER

HERS NOTES

- PROPERLY COMPLETED AND ELECTRONICALLY SIGNED CERTIFICATE OF INSTALLATION (CF2R FORMS) SHALL BE POSTED WEATHER PROTECTED WITHIN BUILDING FOR REVIEW BY INSPECTORS - EES 10-103(A)3, 10-103(B)1.A - BY THE INSTALLING CONTRACTOR AND SUBMITTED TO THE FIELD INSPECTOR DURING CONSTRUCTION AT THE SITE. FOR PROJECTS REQUIRING HERS VERIFICATION, THE CF2R FORMS SHALL BE REGISTERED WITH A CALIFORNIA APPROVED HERS PROVIDER DATA REGISTRY WITH ITS OWN UNIQUE 21 DIGIT REGISTRATION NUMBER LOCATED AT THE BOTTOM OF EACH PAGE. THE FIRST 12 DIGITS WILL MATCH THE REGISTRATION NUMBER ASSOCIATED WITH THE CF1R FORM. CERTIFICATE OF OCCUPANCY WILL NOT BE ISSUED UNTIL THE CF2R FORMS ARE REVIEWED AND APPROVED.
- PROPERLY COMPLETED & ELECTRONICALLY SIGNED AND REGISTERED CERTIFICATE(S) OF FIELD VERIFICATION AND DIAGNOSTIC TESTING (CF3R) SHALL BE POSTED WEATHER PROTECTED WITHIN THE BUILDING SITE BY A CERTIFIED HERS RATER. A REGISTERED CF3R WILL HAVE A UNIQUE 25 DIGIT REGISTRATION NUMBER LOCATED AT THE BOTTOM OF EACH PAGE. THE FIRST 20 DIGITS OF THE NUMBER WILL MATCH THE REGISTRATION NUMBER ASSOCIATED WITH THE CF2R. CERTIFICATE OF OCCUPANCY WILL NOT BE ISSUED UNTIL THE CF3R IS REVIEWED AND APPROVED. EES 10-103(A)3, 10-103(B)1.A.
- CF1R REGISTRATION FORMS ARE LOCATED ON THE PLANS. IF REGISTRATION IS REQUIRED, A WATER-MARK AND REGISTRATION NUMBER WILL BE VISIBLE.
- HERS TESTS REQUIRED FOR THIS PROJECT ARE:
VARIABLE CAPACITY HEAT PUMP - DUCTLESS UNITS ENTIRELY LOCATED IN CONDITIONED SPACE, AIRFLOW IN HABITABLE ROOMS, WALL MOUNTED THERMOSTAT IN ZONES GREATER THAN 150 S.F., VERIFY HEAT PUMP RATED CAPACITY, AND REFRIGERANT CHARGE. KITCHEN RANGE HOOD CFM VERIFICATION (100 CFM = 3 SONES) IAQ MECHANICAL VENTILATION - SEE NEW DUCTING REQUIREMENTS TABLE 150.0-H
- FOR IAQ FAN - SEE SITE SPECIFIC T24 SHEETS FOR CFM REQUIRED FOR A CONTINUOUSLY OPERATING EXHAUST FAN. PROVIDE A TIMER SWITCH WITH A MANUAL OFF AND A SOUND RATING OF 1 SONE (3 SONES MAX FOR AN INTERMITTENT FAN). THIS FAN TO PROVIDE A WHOLE BUILDING INDOOR AIR QUALITY VENTILATION WITH OUTDOOR AIR IN COMPLIANCE WITH ASHRAE STANDARD 62.2 AS ADOPTED BY THE CALIFORNIA ENERGY COMMISSION.
- PV SYSTEM SOLAR: SEE SITE SPECIFIC T24 SHEETS FOR KWdc REQUIRED. VARIABLE PV EXCEPTION 2: NO PV REQUIRED WHEN MINIMUM PV SIZE < 1.8 KWDC/SECTION 150.1(C)14) PV EXEMPTION BASED IN UPDATED ENERGY CALCULATIONS WITH SITE SPECIFIC INFORMATION.
- SPECIAL FEATURES: VCHP REQUIRED ITEMS LISTED ABOVE AND NEEA RATED HEAT PUMP WATER HEATER; SPECIFIC BRAND/MODEL OR EQ.
- NEW 2022 ELECTRIC READY REQUIREMENTS: PROVIDE SPACE FOR HEAT PUMP WATER HEATER. A 240V OUTLET IS REQUIRED FOR WATER HEATER, DRYER, AUTO CHARGING, AND STOVE INCLUDING BREAKER SPACE. ENERGY STORAGE SYSTEM FOR A FUTURE BATTERY SYSTEM (BATTERY READY) IS REQUIRED IF FULL SYSTEM IS NOT INSTALLED.

BUILDING INFORMATION

GOVERNING CODES: APPROVAL OF THIS PROJECT SHALL COMPLY WITH THE 2022 CALIFORNIA BUILDING CODE, CALIFORNIA RESIDENTIAL CODE (CRC), CALIFORNIA MECHANICAL CODE (CMC), CALIFORNIA PLUMBING CODE (CPC), CALIFORNIA ELECTRICAL CODE (CEC), CALIFORNIA ENERGY CODE (CEC), CALIFORNIA GREEN BUILDING CODE (CGBC) AND INYO COUNTY MUNICIPAL CODE.

SITE ADDRESS:

GOVERNING AGENCY: INYO COUNTY, CA.
OCCUPANCY GROUP: R3
STORIES: 1
TYPE OF CONSTRUCTION: VB

PROJECT DESCRIPTION

NEW CONSTRUCTION OF A ONE STORY, 1 BEDROOM 1 BATH, DETACHED 558 S.F. ACCESSORY DWELLING UNIT

PORCH AREAS:
RANCH: 80 S.F. SPANISH: 80 S.F. TRADITIONAL: 80 S.F.

LEGAL DESCRIPTION

APN

REQUIRED SUPPLEMENTAL INFORMATION - TO BE COMPLETED BY OWNER

additional plan information provided by applicant:

- COMPLETED
- TITLE SHEET (T1.1) INFORMATION FILLED OUT
- SITE PLAN SHEET (AS.2) PROVIDED IN PLAN SET FOR CITY REVIEW
- UPDATED TITLE 24 ENERGY CALCULATION REPORT WITH CORRECT NAME, ADDRESS, AND EXACT ORIENTATION FOR SITE SPECIFIC CONDITIONS. OWNER MAY CONTACT THE ENTITY WHO PREPARED THE ORIGINAL REPORT (SHOWN ON T24.1) TO OBTAIN UPDATES TO THE REPORT.
- CONSTRUCTION AND DEMOLITION FORM

exterior style selection:

SELECTION (SEE SHEET T1.2 FOR EXTERIOR RENDERING)

- RANCH
- SPANISH
- TRADITIONAL

exterior wall material:

SELECTION(S)

EXTERIOR WALL COLOR OF PRINCIPAL DWELLING UNIT
(EXTERIOR WALL COLOR OF ADU IS TO MATCH PRINCIPAL DWELLING UNIT)

- STUCCO / COLOR
- STONE VENEER / COLOR
- FIBER CEMENT - SIDING / COLOR
- WOOD SIDING / COLOR

OTHER _____

deferred submittals - separate permit to be obtained by applicant:

- TO BE COMPLETED
- FIRE SPRINKLERS (WHEN REQUIRED)
- TRUSS CALCULATIONS (WHEN REQUIRED)
- PHOTOVOLTAIC SYSTEM - THE PV SYSTEM MUST BE INSTALLED, OPERATIONAL AND FINAL PRIOR TO FINAL BUILDING INSPECTION AND APPROVAL FOR THE ADU.
IF THERE IS AN EXISTING PHOTOVOLTAIC SYSTEM OF SUFFICIENT SIZE ON THE MAIN HOUSE TO ACCOMMODATE THE NEW ADU THEN HOMEOWNER IS TO PROVIDE A REPORT STATING THE EXISTING SIZE OF THE PV PANEL (WHEN REQUIRED).

roof framing:

- SELECTION
- ROOF FRAMING PER PLAN
- ROOF TRUSSES - IN LIEU OF ROOF DETAILS PROVIDED ON THESE PLANS, HOMEOWNER IS TO CONTRACT WITH AN INDEPENDENT TRUSS COMPANY AND SUBMIT TRUSS CALCULATIONS TO INYO COUNTY FOR APPROVAL. INDICATE ON DEFERRED SUBMITTAL CHECKLIST ABOVE IF TRUSS PACKAGE WILL BE PROVIDED AS A DEFERRED SUBMITTAL

roof material:

SELECTION

REFER TO SPECIFICATIONS ON G0.3. IF APPLICANT DEVIATES FROM OSFM WUI PRODUCTS AND ASSEMBLIES ON G0.3, AN ALTERNATIVE WUI COMPLIANT OPTION IS TO BE PROVIDED AND APPROVED BY INYO COUNTY.

WUI APPROVED CLASS A MATERIAL PER PLAN (SEE SHEET G0.3)

ALTERNATE WUI APPROVED CLASS A MATERIAL (SPECIFICATION PROVIDED BY APPLICANT) ROOF SPECIFICATION: _____

fire sprinkler information:

SELECTION

- EXISTING RESIDENCE CURRENTLY HAS FIRE SPRINKLERS
- EXISTING RESIDENCE DOES NOT CURRENTLY HAVE FIRE SPRINKLERS
- PROPERTY IS LOCATED IN THE VERY HIGH FIRE HAZARD SEVERITY ZONE
- PROPERTY IS NOT LOCATED IN THE VERY HIGH FIRE HAZARD SEVERITY ZONE (VHSFZ)
- NEW ADU IS REQUIRED TO HAVE FIRE SPRINKLERS IF THE EXISTING RESIDENCE HAS FIRE SPRINKLERS OR IS LOCATED IN VHSFZ. SEE NOTES ON A0.1 AND FIRE RATED DETAIL CHECKLIST ON THIS SHEET

required w.u.i. details:

- REFER TO W.U.I. PER THE FOLLOWING:
- ROOF DETAILS: SHEET AS.2 & SPECIFICATIONS ON SHEET G0.3
 - VENTS: ROOF PLANS & SPECIFICATIONS ON SHEET G0.3
 - EXTERIOR WALL COVERING: EXTERIOR ELEVATIONS, SHEET AS.1 & SPECS ON SHEET G0.3
 - EXTERIOR WINDOWS: SHEET A0.1 WINDOW NOTES #11 & #13
 - EXTERIOR DOORS: SHEET A0.1 DOOR NOTES #9 & #10

window and trim color:

SELECTION

WINDOW COLOR OF PRINCIPAL DWELLING UNIT
(WINDOW COLOR SELECTION BELOW FOR THE ADU IS TO MATCH PRINCIPAL DWELLING UNIT WINDOW COLOR)

- WHITE
- TAN
- DARK BRONZE
- OTHER WINDOW COLOR _____

sewer waste water information:

SELECTION

- ADU TO HAVE NEW CONNECTION TO INYO COUNTY SEWER MAIN
- ADU TO CONNECT TO EXISTING RESIDENCE SEWER LATERAL
IF EXISTING HOUSE HAS FOUR OR MORE TOILETS WITH AN EXISTING 3 INCH SEWER DRAIN, A SEPARATE CONNECTION TO THE CITY SEWER MAIN IS REQUIRED FOR THE NEW ADU. REFER TO CURRENT CPC SECTION 703.2 FOR PIPE SIZING REQUIREMENTS
- SEPTIC - REQUIRES HEALTH DEPARTMENT APPROVAL
- DISTANCE TO CONNECTION _____

electrical service information:

SELECTION

- UPGRADED SERVICE
- EXISTING SERVICE TO REMAIN
- NEW SERVICE
- SIZE OF EXISTING SERVICE _____ SIZE OF NEW SERVICE _____

propane service information:

SELECTION

- UPGRADED SERVICE
- EXISTING SERVICE TO REMAIN
- NEW SERVICE
- SIZE OF EXISTING SERVICE _____ SIZE OF NEW SERVICE _____

BY USING THESE PERMIT READY CONSTRUCTION DOCUMENTS, THE RECIPIENT ACKNOWLEDGES, ACCEPTS AND VOLUNTARILY AFFIRMS THE FOLLOWING CONDITIONS:
1. THE USE OF THIS INFORMATION IS RESTRICTED TO THE ORIGINAL PROJECT FOR WHICH IT WAS PREPARED FOR THE PERMIT READY ACCESSORY DWELLING UNIT (ADU) PROGRAM FOR THE COUNTY OF INYO ONLY. THIS IS A LIMITED SET OF STANDARDIZED ADU PLANS AND SPECIFICATIONS APPROVED BY THE COUNTY OF INYO BUILDING DEPARTMENT. BUILDING CODES DO CHANGE OVER TIME AND RECIPIENT SHALL ENSURE FULL COMPLIANCE UNDER ALL CODES THEN IN EFFECT AT THE TIME OF THE SUBJECT PERMIT. THIS DOES NOT ELIMINATE OR REDUCE THE RECIPIENT'S RESPONSIBILITY TO VERIFY ANY AND ALL INFORMATION RELEVANT TO THE RECIPIENT'S WORK AND RESPONSIBILITY ON THIS PROJECT. DESIGN PATH STUDIO SHALL NOT BE RESPONSIBLE FOR TRANSLATION ERRORS. DO NOT USE THESE CONSTRUCTION DOCUMENTS IF THE PERMIT HAS EXPIRED OR IS REVOKED AT ALL.
2. THE RECIPIENT RECOGNIZES AND ACKNOWLEDGES THAT THE USE OF THIS INFORMATION WILL BE AT THEIR SOLE RISK AND WITHOUT ANY LIABILITY OR LEGAL EXPOSURE TO DESIGN PATH STUDIO, NO WARRANTIES OF ANY NATURE, WHETHER EXPRESS OR IMPLIED, SHALL ATTACH TO THESE DOCUMENTS AND THE INFORMATION CONTAINED THEREON. ANY USE, REUSE, OR ALTERATION OF THESE DOCUMENTS BY THE RECIPIENT OR BY OTHERS WILL BE AT THE RECIPIENT'S RISK AND FULL LEGAL RESPONSIBILITY. FURTHERMORE, THE RECIPIENT WILL TO THE FULLEST EXTENT PERMITTED BY LAW, DEFEND, INDEMNIFY AND HOLD DESIGN PATH STUDIO AND ITS ARCHITECTS HARMLESS FROM ANY AND ALL CLAIMS, SUITS, LIABILITY, DEMANDS, JUDGMENTS, OR COSTS ARISING OUT OF OR RESULTING THEREFROM ANY USE OF THESE CONSTRUCTION DOCUMENTS FOR OR ON ACCOUNT OF ANY INJURY, DEATH, DAMAGE OR LOSS TO PERSONS OR PROPERTY, DIRECT OR CONSEQUENTIAL DAMAGES IN ANY AMOUNT. THIS INDEMNITY DOES NOT APPLY TO THE SOLE NEGLIGENCE OR WILLFUL MISCONDUCT OF DESIGN PATH STUDIO OR ITS ARCHITECTS.
3. THE DESIGNS REPRESENTED BY THESE PLANS ARE COPYRIGHTED AND ARE SUBJECT TO COPYRIGHT PROTECTION.
4. IF THE RECIPIENT DOES NOT AGREE WITH THE ABOVE CONDITIONS, DO NOT PROCEED WITH CONSTRUCTION OF AN ADU OR OTHER IMPROVEMENT UNDER THESE PLANS AT ALL.

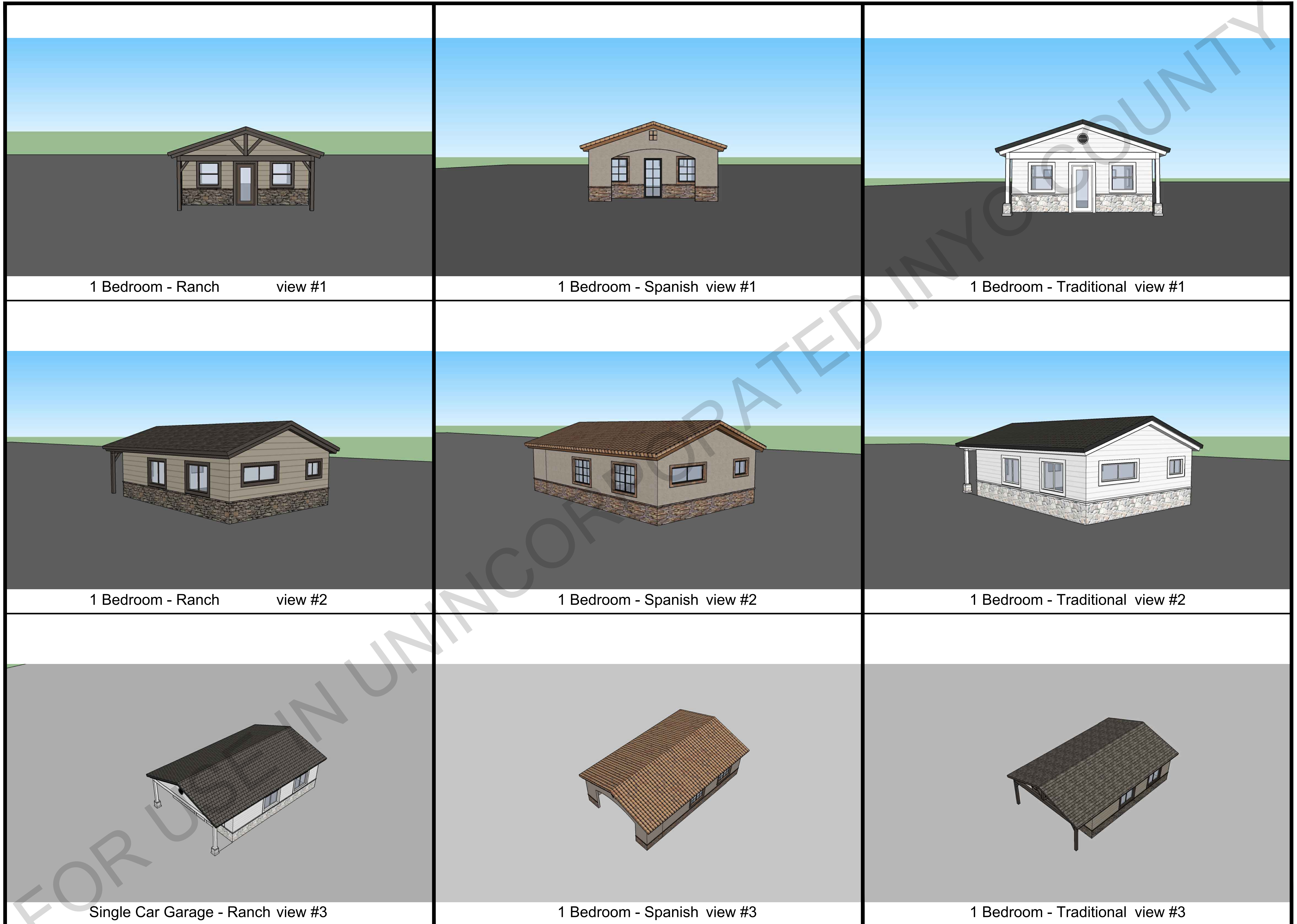
project
County of Inyo
Pre-Approved
ADU/SFD Program

revisions
△
△
△
△
△
description
Title Sheet
1 Bedroom B

date 2024
project no. INYO COUNTY ADU/SFDS

drawn by DESIGN PATH STUDIO

sheet no. T1.1



1 Bedroom - Ranch view #1

1 Bedroom - Spanish view #1

1 Bedroom - Traditional view #1

1 Bedroom - Ranch view #2

1 Bedroom - Spanish view #2

1 Bedroom - Traditional view #2

Single Car Garage - Ranch view #3

1 Bedroom - Spanish view #3

1 Bedroom - Traditional view #3

BY USING THESE PERMIT READY CONSTRUCTION DOCUMENTS, THE RECIPIENT ACKNOWLEDGES, ACCEPTS AND VOLUNTARILY AFFIRMS THE FOLLOWING CONDITIONS:
 1. THE USE OF THIS INFORMATION IS RESTRICTED TO THE ORIGINAL PROJECT FOR WHICH IT WAS PREPARED FOR THE PERMIT READY ACCESSORY DWELLING UNIT (ADU) PROGRAM FOR THE COUNTY OF INYO ONLY. THIS IS A LIMITED SET OF STANDARDIZED ADU PLANS AND SPECIFICATIONS APPROVED BY THE COUNTY OF INYO BUILDING DEPARTMENT. BUILDING CODES DO CHANGE OVER TIME AND RECIPIENT SHALL ENSURE FULL COMPLIANCE UNDER ALL CODES THEN IN EFFECT AT THE TIME OF THE SUBJECT PERMIT. THIS DOES NOT ELIMINATE OR REDUCE THE RECIPIENT'S RESPONSIBILITY TO VERIFY ANY AND ALL INFORMATION RELEVANT TO THE RECIPIENT'S WORK AND RESPONSIBILITY ON THIS PROJECT. DESIGN PATH STUDIO SHALL NOT BE RESPONSIBLE FOR TRANSLATION ERRORS. DO NOT USE THESE CONSTRUCTION DOCUMENTS IF THE PERMIT HAS EXPIRED OR IS REVOKED AT ALL.
 2. THE RECIPIENT RECOGNIZES AND ACKNOWLEDGES THAT THE USE OF THIS INFORMATION WILL BE AT THEIR SOLE RISK AND WITHOUT ANY LIABILITY OR LEGAL EXPOSURE TO DESIGN PATH STUDIO. NO WARRANTIES OF ANY NATURE, WHETHER EXPRESS OR IMPLIED, SHALL ATTACH TO THESE DOCUMENTS AND THE INFORMATION CONTAINED THEREON. ANY USE, REUSE, OR ALTERATION OF THESE DOCUMENTS BY THE RECIPIENT OR BY OTHERS WILL BE AT THE RECIPIENT'S RISK AND FULL LEGAL RESPONSIBILITY. FURTHERMORE, THE RECIPIENT WILL, TO THE FULLEST EXTENT PERMITTED BY LAW, DEFEND, INDEMNIFY AND HOLD DESIGN PATH STUDIO AND ITS ARCHITECTS HARMLESS FROM ANY AND ALL CLAIMS, SUITS, LIABILITY, DEMANDS, JUDGMENTS, OR COSTS ARISING OUT OF OR RESULTING THERE FROM ANY USE OF THESE CONSTRUCTION DOCUMENTS FOR OR ON ACCOUNT OF ANY INJURY, DEATH, DAMAGE OR LOSS TO PERSONS OR PROPERTY, DIRECT OR CONSEQUENTIAL DAMAGES IN ANY AMOUNT. THIS INDEMNITY DOES NOT APPLY TO THE SOLE NEGLIGENCE OR WILLFUL MISCONDUCT OF DESIGN PATH STUDIO OR ITS ARCHITECTS.
 3. THE DESIGNS REPRESENTED BY THESE PLANS ARE COPYRIGHTED AND ARE SUBJECT TO COPYRIGHT PROTECTION.
 4. IF THE RECIPIENT DOES NOT AGREE WITH THE ABOVE CONDITIONS, DO NOT PROCEED WITH CONSTRUCTION OF AN ADU OR OTHER IMPROVEMENT UNDER THESE PLANS AT ALL.

project
 County of Inyo
 Pre-Approved
 ADU/SFD Program

revisions
 △
 △
 △
 △
 △

description
 Exterior
 Style
 Options

date 2024

project no. INYO COUNTY ADU/SFDS

drawn by DESIGN PATH STUDIO

sheet no. T1.2

ENGINEERING NOTES

RIGHT OF WAY NOTE

OWNER IS TO OBTAIN AN ENCROACHMENT PERMIT FROM THE PUBLIC WORKS DEPARTMENT AT LEAST 48 HOURS PRIOR TO WORKING IN THE PUBLIC RIGHT OF WAY. FAILURE TO DO SO WILL RESULT IN AN ISSUANCE OF A STOP WORK NOTICE AND DOUBLE PERMIT FEES. IT IS THE RESPONSIBILITY OF THE OWNER TO KNOW THE LOCATION OF THE PROPERTY LINES.

UTILITY NOTE

CONTACT THE LOCAL UTILITY COMPANIES AND/OR RIVERSIDE COUNTY ENVIRONMENTAL HEALTH (FOR SEPTIC SYSTEMS) REGARDING WATER SERVICE, GAS, AND ELECTRIC.

DRAINAGE NOTE

NO CONCENTRATED DRAINAGE FLOWS ARE PERMITTED OVER ADJACENT PROPERTY LINES. WATER IS TO DRAIN AWAY FROM STRUCTURES FOR A MINIMUM OF 5 FEET AT 2 PERCENT AND BE CONVEYED TO AN APPROVED DRAINAGE FACILITY.

EARTHWORK NOTE

A. AN EXCAVATION BELOW THE EXISTING FINISHED GRADE FOR RE-COMPACTION WITHIN THE BUILDING ZONE (WITHIN FIVE FEET OF FOOTINGS) OR FOR BASEMENTS AND FOOTINGS FOR A BUILDING, MOBILE HOME, RETAINING WALL, SEPTIC SYSTEM, WELL, OR STRUCTURE AUTHORIZED BY A BUILDING PERMIT. THIS SHALL NOT EXEMPT ANY FILL MADE WITH THE MATERIAL FROM SUCH EXCAVATION OR EXEMPT ANY EXCAVATION HAVING AN UNSUPPORTED HEIGHT GREATER THAN TWO FEET AFTER THE COMPLETION OF SUCH STRUCTURE. REGARDLESS OF EXEMPTION, THE PUBLIC WORKS DEPARTMENT SHALL BE NOTIFIED OF ACTIVITY.

H. AN EXCAVATION NOT INTENDED TO SUPPORT STRUCTURES OR MOBILE HOMES AND WHICH: (A) IS LESS THAN TWO FEET IN VERTICAL DEPTH OR (B) DOES NOT CREATE A CUT SLOPE GREATER THAN THREE FEET IN VERTICAL HEIGHT AND STEEPER THAN TWO HORIZONTAL TO ONE VERTICAL (2:1). THIS EXEMPTION SHALL NOT APPLY WHEN FINISH GRADING IS PROPOSED, SUBSEQUENT TO A PERMIT AUTHORIZING ROUGH GRADING.

I. A FILL LESS THAN ONE FOOT IN VERTICAL DEPTH, PLACED ON NATURAL TERRAIN WITH A SLOPE FLATTER THAN FIVE HORIZONTAL TO ONE VERTICAL (5:1), OR LESS THAN THREE FEET IN DEPTH, NOT INTENDED TO SUPPORT STRUCTURES OR MOBILE HOMES, WHICH DOES NOT EXCEED FIFTY CUBIC YARDS ON ANY SITE AND DOES NOT OBSTRUCT A DRAINAGE COURSE. THIS EXEMPTION SHALL NOT APPLY WHEN FINISH GRADING IS PROPOSED, SUBSEQUENT TO A PERMIT AUTHORIZING ROUGH GRADING.

CONSTRUCTION BEST MANAGEMENT PRACTICES (BMP) NOTE

EROSION CONTROL MEASURES (E.G. BONDED FIBER MATRIX, VEGETATIVE COVER, JUTE MATTING) MUST BE IMPLEMENTED WHERE APPLICABLE TO PREVENT SOIL EROSION ON SITE. SEDIMENT CONTROL MEASURES (E.G. SILT FENCING, FIBER ROLLS, DETENTION BASINS) MUST BE IN PLACE TO PREVENT ERODED SOIL FROM LEAVING SITE.

MATERIALS MANAGEMENT BMP MUST ALSO BE FOLLOWED TO ENSURE NO CONTACT OF RAINWATER WITH MATERIALS THAT MAY CONTRIBUTE TO WATER QUALITY DEGRADATION DOWNSTREAM (E.G. CONCRETE OR STUCCO WASHOUT AREAS, COVERED STORAGE AREAS FOR HAZARDOUS MATERIALS, PLACEMENT OF PORTABLE TOILETS OVER A PVIOUS SURFACE).

POST-CONSTRUCTION BEST MANAGEMENT PRACTICES (BMP) NOTE

NO DIRECTLY CONNECTED IMPERVIOUS AREAS (DCIA) SHALL BE ALLOWED. DCIA MEANS STORM RUNOFF GENERATED AND CONVEYED VIA IMPERVIOUS AREAS, SUCH AS ROOF, ROOF DRAIN, DRIVEWAY, AND STREET. BMP MEASURES SHALL BE IDENTIFIED ON THE SITE PLAN. MOST COMMON MEASURES ARE DESIGNATED TURF AREAS, WHICH RECEIVE ROOF DRAINS AND RUNOFF FROM IMPERVIOUS AREAS. TURF AND LANDSCAPED AREAS THAT ARE DESIGNATED FOR BMP'S SHALL BE DELINEATED ON PLANS AND A NOTE PLACED ON PLANS PROHIBITING MODIFICATION OR REMOVAL OF THE BMP LANDSCAPE AREAS WITHOUT A COUNTY PERMIT. RAIN GUTTERS FOR STORM WATER POLLUTION CONTROL PURPOSES, ALL RUNOFF FROM ALL ROOF DRAINS SHALL DISCHARGE ONTO GRASS AND LANDSCAPE AREAS PRIOR TO COLLECTION AND DISCHARGE ONTO THE STREET AND/OR INTO THE PUBLIC STORM DRAIN SYSTEM. GRASS AND LANDSCAPE AREAS DESIGNATED FOR STORM WATER POLLUTION CONTROL SHALL NOT BE MODIFIED WITHOUT A PERMIT FROM THE COUNTY.

STORMWATER POLLUTION CONTROL BMP NOTES RELATIVE TO CONSTRUCTION ACTIVITIES

- CONCRETE WASHOUT
 - CONTRACTOR SHALL ESTABLISH AND USE AN ADEQUATELY SIZED CONCRETE WASHOUT AREA TO CONTAIN WASHOUT WASTES ON SITE. IT IS ILLEGAL TO WASH CONCRETE, SLURRY, MORTAR, STUCCO, PLASTER AND THE LIKE INTO THE STORMWATER CONVEYANCE SYSTEM OR ANY RECEIVING WATER. CONTRACTOR SHALL POST A SIGN DESIGNATING THE WASHOUT LOCATION.
- CONSTRUCTION SITE ACCESS
 - A STABILIZED CONSTRUCTION SITE ACCESS SHALL BE PROVIDED FOR VEHICLES EGRESS AND INGRESS TO PREVENT TRACKING DIRT OFF SITE. THIS SHALL INCLUDE USING MATERIAL SUCH AS GRAVEL AND/OR CORRUGATED STEEL PANELS/PLATES.
- CONSTRUCTION VEHICLES
 - A SPECIFIC AREA AWAY FROM GUTTERS AND STORM DRAIN SHALL BE DESIGNATED FOR CONSTRUCTION VEHICLES PARKING, VEHICLE REFUELING, AND ROUTINE EQUIPMENT MAINTENANCE. ALL MAJOR REPAIRS SHALL BE MADE OFF-SITE.
- EROSION CONTROL
 - EROSION CONTROL MUST BE PROVIDED FOR ALL ERODIVE SURFACES. SLOPED SURFACES ESPECIALLY SHALL BE PROTECTED AGAINST EROSION BY INSTALLING EROSION RESISTANT SURFACES SUCH AS EROSION CONTROL MATS, ADEQUATE GROUND COVER VEGETATION, AND BONDED FIBER MATRIX.
 - NO EXCAVATION AND GRADING ACTIVITIES ARE ALLOWED DURING WET WEATHER.
 - DIVERSION DIKES SHALL BE CONSTRUCTED TO CHANNEL RUNOFF AROUND THE CONSTRUCTION SITE. CONTRACTOR SHALL PROTECT CHANNELS AGAINST EROSION USING PERMANENT AND TEMPORARY EROSION CONTROL MEASURES.
- REMOVE EXISTING VEGETATION ONLY WHEN ABSOLUTELY NECESSARY. LARGE PROJECTS SHALL BE CONDUCTED IN PHASES TO AVOID UNNECESSARY REMOVAL OF THE NATURAL GROUND COVER. DO NOT REMOVE TREES OR SHRUBS UNNECESSARILY. THEY HELP DECREASE EROSION.
- TEMPORARY VEGETATION MUST BE PLANTED ON SLOPES OR WHERE CONSTRUCTION IS NOT IMMEDIATELY PLANNED FOR EROSION CONTROL PURPOSES. EROSION SHALL BE PREVENTED BY PLANTING FAST-GROWING ANNUAL AND PERENNIAL GRASSES TO SHIELD AND BIND THE SOIL.
- PLANT PERMANENT VEGETATION AS SOON AS POSSIBLE. ONCE EXCAVATION AND GRADING ACTIVITIES ARE COMPLETE.
- WATER USAGE FOR DUST CONTROL SHALL BE MINIMIZED. ON-SITE CONSTRUCTION MATERIAL STORAGE
- STORED MATERIALS SHALL BE CONTAINED IN A SECURE PLACE TO PREVENT SEEPAGE AND SPILLAGE. CONTRACTOR SHALL STORE THESE PRODUCTS WHERE THEY WILL STAY DRY OUT OF THE RAIN. CONTRACTOR SHALL PROVIDE SECONDARY CONTAINMENT FOR ALL FUEL STORED ON-SITE.
- ELIMINATE OR REDUCE POLLUTION OF STORMWATER FROM STOCKPILES KEPT ON-SITE. STOCKPILES MAY INCLUDE SOIL, PAINTS, ASPHALT CONCRETE, AGGREGATE BASE, ETC. STOCKPILES SHALL BE LOCATED AWAY FROM CONCENTRATED STORMWATER FLOWS AND STORM DRAIN INLETS. STOCKPILES SHALL BE COVERED OR PROTECTED WITH SOIL STABILIZATION MEASURES AND PROVIDED WITH A TEMPORARY SEDIMENT BARRIER AROUND THE PERIMETER AT ALL TIMES.

TRAINING

CONTRACTORS' EMPLOYEES WHO PERFORM CONSTRUCTION IN THE COUNTY OF INYO SHALL BE TRAINED TO BE FAMILIAR WITH THE COUNTY OF INYO STORMWATER POLLUTION CONTROL REQUIREMENTS. THESE BMP NOTES SHALL BE AVAILABLE TO EVERYONE WORKING ON SITE. THE PROPERTY OWNER(S) AND THE PRIME CONTRACTOR MUST INFORM SUBCONTRACTORS ABOUT STORMWATER REQUIREMENTS AND THEIR OWN RESPONSIBILITIES.

SITE NOTES

1. THE APPLICANT SHALL PROVIDE A DIMENSIONED AND SCALED SITE PLAN SHOWING PROPERTY LINES, YARDS, DIMENSIONED SETBACKS, EASEMENTS, UTILITIES, STREETS, EXISTING AND PROPOSED BUILDINGS, MINIMUM SEPARATION FROM EXISTING STRUCTURES, AND FUEL MODIFICATION ZONES IF APPLICABLE.
2. WHEN REQUIRED, THE APPLICANT SHALL IMPLEMENT SITE DESIGN STORMWATER BEST MANAGEMENT PRACTICES (BMP) AND LOW IMPACT DEVELOPMENT (LID) CONCEPTS SUCH AS IMPERVIOUS AREA DISPERSION, DRAINAGE TO NATURAL VEGETATION, REDUCTION IN IMPERVIOUS SURFACES, BREAKING UP HARDSCAPE AREA, ETC.
3. THE SUBMISSION OF ANY BUILDING, GRADING AND/OR DEVELOPMENT APPLICATIONS/PLANS SHALL INCLUDE ADEQUATE PROVISIONS TO PREVENT THE DISCHARGE OF POLLUTANTS BOTH ON AND OFF A CONSTRUCTION SITE. AT A MINIMUM THESE PROVISIONS SHALL INCLUDE: (1) FOR SITES THAT INCLUDE GROUND DISTURBING ACTIVITIES APPROPRIATE EROSION AND SEDIMENT CONTROL MEASURES; AND (2) SOIL STABILIZATION MEASURES; (3) WHERE PUMPING OF GROUND WATER MAY BE NECESSARY THE INCLUSION OF APPROPRIATE DEWATERING CONTROL MEASURES; (4) SITE-SPECIFIC SOURCE CONTROLS TO PREVENT THE RELEASE AND DISCHARGE OF ANY POLLUTANTS; AND (5) APPROPRIATE POLLUTION PREVENTION CONTROL MEASURES TO PREVENT THE RELEASE AND DISCHARGE OF ANY POLLUTANTS PER INDUSTRY ACCEPTABLE STANDARDS AS DEEMED APPROPRIATE BY THE COUNTY.
4. ALL SITE STANDARDS ARE BASED ON LAHONTAN REGIONAL WATER CONTROL BOARD AND THE GREAT BASIN AIR POLLUTION CONTROL DISTRICT. APPLICANT IS TO REFER TO PROVIDED WEBSITES AND COORDINATE WITH COUNTY OF INYO:
 - 1) <https://www.waterboards.ca.gov/lahontan/>
 - 2) <https://www.gbuapcd.org/>



Defensible Space is your property's front line defense against wildfire. Creating and maintaining defensible space around your home can dramatically increase your home's chance of surviving a wildfire and improve the safety of firefighters defending your property. 100 feet of defensible space is required by law.*

TWO ZONES MAKE UP THE REQUIRED 100 FEET OF DEFENSIBLE SPACE:

ZONE 1: 30 feet of Lean, Clean & Green

- 1 Remove all dead plants, grass and weeds.
- 2 Remove dead or dry leaves and pine needles from your yard, roof and rain gutters.
- 3 Keep tree branches 10 feet away from your chimney and other trees.

ZONE 2: 30-100 feet of Reduced Fuel

- 1 Cut or mow annual grass down to a maximum height of 4 inches.
- 2 Create horizontal spacing between shrubs and trees.
- 3 Create vertical spacing between grass, shrubs and trees.
- 4 Cut or mow annual grass down to a maximum height of 4 inches.
- 5 Create horizontal spacing between plants, the amount of spacing will depend on how steep the slope is and the size of the plants.

VERTICAL SPACING

Large trees do not have to be cut and removed as long as all of the plants beneath them are removed. This eliminates a vertical "fire ladder."

HORIZONTAL SPACING

Create horizontal and vertical spacing between plants, the amount of spacing will depend on how steep the slope is and the size of the plants.

Use Equipment Properly to Keep from Sparking a Wildfire

- 1 Mow before 10 a.m., and never on a hot or windy day. String trimmers are a safer option (vs. lawnmower) for clearing vegetation.

READYFORWILDFIRE.ORG

*For more information on creating defensible space and legal requirements visit

FIRE NOTES

1. NEW AND EXISTING BUILDINGS SHALL HAVE APPROVED ADDRESS NUMBERS OR APPROVED BUILDING IDENTIFICATION PLACED IN A POSITION THAT IS PLAINLY LEGIBLE AND VISIBLE FROM THE STREET OR ROAD FRONTING THE PROPERTY. THESE NUMBERS SHALL BE A MINIMUM OF 4 INCHES HIGH WITH A MINIMUM STROKE OF .5 INCHES. WHERE ACCESS IS BY MEANS OF A PRIVATE ROAD AND THE BUILDING CANNOT BE VIEWED FROM THE PUBLIC WAY, A MONUMENT, POLE OR OTHER SIGN OR MEANS SHALL BE USED TO IDENTIFY THE STRUCTURE. CFC SECTION 505.1
2. ALL FIRE APPARATUS ROADS ACCESS ROADS SHALL HAVE AN UNOBSTRUCTED VERTICAL CLEARANCE OF NO LESS THAN 13 FEET 6 INCHES.
3. SITE PLAN SHALL PROVIDE DIMENSIONS SHOWING REQUIRED FIRE APPARATUS ACCESS ROADS. FIRE ACCESS ROADWAYS SHALL HAVE AN UNOBSTRUCTED IMPROVED WIDTH OF NOT LESS THAN 24 FEET. EXCEPTIONS: 1. RESIDENTIAL DWELLINGS NOT IN THE VERY HIGH FIRE HAZARD SEVERITY ZONE SHALL HAVE A MINIMUM OF 20 FEET OF UNOBSTRUCTED IMPROVED WIDTH. 2. SINGLE-FAMILY RESIDENTIAL DRIVEWAYS SERVING NO MORE THAN TWO SINGLE-FAMILY DWELLING SHALL HAVE A MINIMUM OF 16 FEET OF UNOBSTRUCTED IMPROVED WIDTH.

- FIRE ACCESS ROADWAYS
 - SURFACE FIRE APPARATUS ACCESS ROADS SHALL BE DESIGNED AND MAINTAINED TO SUPPORT THE IMPOSED LOADS OF FIRE APPARATUS NOT LESS THAN 75,000 LBS AND SHALL BE PROVIDED WITH AN APPROVED PAVED SURFACE TO PROVIDE ALL-WEATHER DRIVING CAPABILITIES.
 - GATED ENTRANCES WITH COVERED, GUARD STATIONS OR CENTER MEDIANS, WHICH WILL HAVE SEPARATED LANES OF ONE-WAY TRAFFIC, SHALL BE NOT LESS THAN 14 FEET WIDE PER LANE.
- EXISTING LEGAL LOTS THAT HAVE EASEMENTS ACCESS ROADWAYS LESS THAN 20 FEET WIDE THAT PROVIDE PRIMARY ACCESS TO OTHER LOTS SHALL RECORD A COVENANT GRANTING EASEMENT RIGHTS FOR EMERGENCY VEHICLE INGRESS AND EGRESS PURPOSES AND SHALL RELINQUISH RIGHTS TO BUILD ANY BUILDING, WALL, FENCE, OR OTHER STRUCTURE WITHIN 5 FEET OF THE EXISTING ACCESS EASEMENT.
- ALL DEAD END FIRE APPARATUS ACCESS ROADWAY IN EXCESS OF 150 FEET IN LENGTH SHALL BE PROVIDED WITH AND APPROVED AREA FOR TURNING AROUND FIRE APPARATUS. ACCESS ROADS SERVING MORE THAN (4) FOUR DWELLING UNITS SHALL BE PROVIDED WITH A CUL-DE-SAC. THE MINIMUM UNOBSTRUCTED PAVED RADIUS WIDTH FOR A CUL-DE-SAC SHALL BE 36 FEET CURB LINE TO CURB LINE WITH NO PARKING. ALTERNATE TYPES OF TURN-AROUND (HAMMERHEADS, ETC.) MAY BE CONSIDERED BY THE FIRE MARSHAL AS NEEEDED TO ACCOMPLISH THE INTENT OF THE FIRE CODE.

GENERAL NOTES

1. SEE BUILDING PLANS FOR ALL OTHER DIMENSIONS AND NOTES NOT SHOWN.
2. SEE BUILDING PLANS AND SCHEDULES FOR ALL EXTERIOR DOOR AND WINDOW REFERENCES AND LOCATIONS.
3. YARD SETBACKS ARE TO BE MEASURED FROM THE EXTERIOR WALL FINISH TO THE PROPERTY LINE AND NOT FROM THE OUTSIDE OF THE FOOTING (OR FACE OF STUDS). THE PLANS MUST BE DESIGNED WITH THE WALL FINISH THICKNESS (I.E. 7/8" STUCCO, ETC.) ADDED TO THE PLAN FOR THE SETBACK MEASUREMENT. THE FIELD INSPECTOR WILL ADD THE PLANNED WALL FINISH THICKNESS TO THE FOUNDATION SETBACK.
4. NEW ELECTRIC SERVICE IS TO BE LOCATED - POOLS, SPAS, WALLS, FENCES, PATIO COVERS AND OTHER FREESTANDING STRUCTURES REQUIRE SEPARATE REVIEWS AND PERMITS.
5. LANDSCAPE AND IRRIGATION WATER USE SHALL HAVE WEATHER OR SOIL BASED CONTROLLERS.
6. ADU/SFD WILL BE CONNECTED TO THE PUBLIC SEWER SYSTEM OR WILL PROVIDE A COMPLYING SEPTIC SYSTEM.
7. CAL-OSHA PERMIT IS REQUIRED FOR EXCAVATIONS DEEPER THAN 5' AND SHORING AND UNDERPINNING.
8. A DIMENSIONED SITE PLAN DRAWN TO SCALE SHALL BE PROVIDED SHOWING THE FOLLOWING: NORTH ARROW, PROPERTY LINES, EASEMENTS, STREETS, EXISTING AND PROPOSED BUILDINGS, AND STRUCTURES, LOCATION OF YARDS USED FOR ALLOWABLE INCREASE OF BUILDING AREA, DIMENSIONED SETBACKS, MINIMUM SEPARATION FROM EXISTING STRUCTURES AND FUEL MODIFICATION ZONES.
9. IF A GRADING PLAN IS REQUIRED, INCORPORATE THE ENTIRE APPROVED GRADING PLAN/IMPROVEMENT PLAN (ALL SHEETS) WITH THE BUILDING PLANS.

GREEN BUILDING CODE NOTES

1. SITE SHALL BE PLANNED AND DEVELOPED TO KEEP SURFACE WATER AWAY FROM BUILDINGS. PLANS SHALL BE PROVIDED AND APPROVED BY THE COUNTY ENGINEER THAT SHOW SITE GRADING AND PROVIDE FOR STORM WATER RETENTION AND DRAINAGE DURING CONSTRUCTION. BMP'S THAT ARE CURRENTLY ENFORCED BY THE COUNTY ENGINEER MUST BE IMPLEMENTED PRIOR TO INITIAL INSPECTION BY THE BUILDING DEPT.
2. 65 % OF CONSTRUCTION WASTE IS TO BE RECYCLED.
3. VOC'S MUST COMPLY WITH THE LIMITATION LISTED IN SECTION 4.504.3 AND TABLES 4.504.1, 4.504.2, 4.504.3, AND 4.504.4 FOR: ADHESIVES, PAINTS AND COATINGS, CARPET AND COMPOSITION WOOD PRODUCTS.
4. INTERIOR MOISTURE CONTROL AT SLAB ON GRADE FLOORS SHALL BE PROVIDED BY THE SOIL ENGINEER. IF A SOIL ENGINEER HAS NOT PREPARED A SOIL REPORT FOR THIS PROJECT, THE FOLLOWING IS REQUIRED: A 4" THICK BASE OF 1/2" OR LARGER CLEAN AGGREGATE SHALL BE PROVIDED WITH A VAPOR BARRIER IN DIRECT CONTACT WITH CONCRETE. WITH A CONCRETE MIX DESIGN WHICH WILL ADDRESS BLEEDING, SHRINKAGE AND CURLING SHALL BE USED.
5. MOISTURE CONTENT OF WOOD SHALL NOT EXCEED 19% BEFORE IT IS ENCLOSED IN CONSTRUCTION. THE MOISTURE CONTENT NEEDS TO BE CERTIFIED BY ONE OF 3 METHODS SPECIFIED. BUILDING MATERIAL WITH VISIBLE SIGNS OF WATER DAMAGE SHOULD NOT BE USED IN CONSTRUCTION.
6. PRIOR TO FINAL APPROVAL OF THE BUILDING THE LICENSED CONTRACTOR, ARCHITECT OR ENGINEER IN RESPONSIBLE CHARGE OF THE OVERALL CONSTRUCTION MUST COMPLETE 11. AND SIGN THE GREEN BUILDING STANDARDS CERTIFICATION FORM AND GIVEN TO THE BUILDING DEPT OFFICIAL TO BE FILED WITH THE APPROVED PLANS
7. LANDSCAPE IRRIGATION WATER USE SHALL HAVE WEATHER BASED CONTROLLERS.
8. PROJECTS WHICH DISTURB LESS THAN ONE ACRE OF SOIL SHALL MANAGE STORM WATER DRAINAGE DURING CONSTRUCTION BY ONE OF THE FOLLOWING: A. RETENTION BASIN. B. WHERE STORM WATER IS CONVEYED TO A PUBLIC DRAINAGE SYSTEM, WATER SHALL BE FILTERED BY USE OF A BARRIER SYSTEM, WATTLE OR OTHER APPROVED METHOD. CGC 4.106.2.
9. THE CONTRACTOR SHALL SUBMIT A CONSTRUCTION WASTE MANAGEMENT PLAN TO THE JURISDICTION AGENCY THAT REGULATES WASTE MANAGEMENT, PER CGC 4.408.2.
10. THE BUILDER IS TO PROVIDE AN OPERATION MANUAL (CONTAINING INFORMATION FORM MAINTAINING APPLIANCES, ETC.) FOR THE OWNER AT THE TIME OF FINAL INSPECTION. CGC 4.410
11. DURING CONSTRUCTION, ENDS OF DUCT OPENINGS ARE TO BE SEALED, AND MECHANICAL EQUIPMENT IS TO BE COVERED. CGC 4.504.1
12. BATHROOM FANS SHALL BE ENERGY STAR RATED, VENTED DIRECTLY TO THE OUTSIDE AND CONTROLLED BY A HUMIDISTAT.

EXISTING SWIMMING POOL REQUIREMENTS

WHEN A BUILDING PERMIT IS ISSUED FOR THE CONSTRUCTION OF A NEW SWIMMING POOL OR SPA OR THE REMODELING OF AN EXISTING SWIMMING POOL OR SPA AT A PRIVATE SINGLE-FAMILY HOME, THE RESPECTIVE SWIMMING POOL OR SPA SHALL BE EQUIPPED WITH AT LEAST TWO OF THE FOLLOWING SEVEN DROWNING PREVENTION SAFETY FEATURES:

- (1) AN ENCLOSURE THAT MEETS THE REQUIREMENTS OF SECTION 115923 AND ISOLATES THE SWIMMING POOL OR SPA FROM THE PRIVATE SINGLE-FAMILY HOME.
- (2) REMOVABLE MESH FENCING THAT MEETS AMERICAN SOCIETY FOR TESTING AND MATERIALS (ASTM) SPECIFICATIONS F2286 STANDARDS IN CONJUNCTION WITH A GATE THAT IS SELF-CLOSING AND SELF-LATCHING AND CAN ACCOMMODATE A KEY LOCKABLE DEVICE.
- (3) AN APPROVED SAFETY POOL COVER, AS DEFINED IN SUBDIVISION (D) OF SECTION 115921.
- (4) EXIT ALARMS ON THE PRIVATE SINGLE-FAMILY HOME'S DOORS THAT PROVIDE DIRECT ACCESS TO THE SWIMMING POOL OR SPA. THE EXIT ALARM MAY CAUSE EITHER AN ALARM NOISE OR A VERBAL WARNING, SUCH AS A REPEATING NOTIFICATION THAT "THE DOOR TO THE POOL IS OPEN."
- (5) A SELF-CLOSING, SELF-LATCHING DEVICE WITH A RELEASE MECHANISM PLACED NO LOWER THAN 54 INCHES ABOVE THE FLOOR ON THE PRIVATE SINGLE-FAMILY HOME'S DOORS PROVIDING DIRECT ACCESS TO THE SWIMMING POOL OR SPA.
- (6) AN ALARM THAT, WHEN PLACED IN A SWIMMING POOL OR SPA, WILL SOUND UPON DETECTION OF ACCIDENTAL OR UNAUTHORIZED ENTRANCE INTO THE WATER. THE ALARM SHALL MEET AND BE INDEPENDENTLY CERTIFIED TO THE ASTM STANDARD F2208 "STANDARD SAFETY SPECIFICATION FOR RESIDENTIAL POOL ALARMS," WHICH INCLUDES SURFACE MOTION, PRESSURE, SONAR, LASER, AND INFRARED TYPE ALARMS. A SWIMMING PROTECTION ALARM FEATURE DESIGNED FOR INDIVIDUAL USE, INCLUDING AN ALARM ATTACHED TO A CHILD THAT SOUNDS WHEN THE CHILD EXCEEDS A CERTAIN DISTANCE OR BECOMES SUBMERGED IN WATER, IS NOT A QUALIFYING DROWNING PREVENTION SAFETY FEATURE.
- (7) OTHER MEANS OF PROTECTION IF THE DEGREE OF PROTECTION AFFORDED IS EQUAL TO OR GREATER THAN THAT AFFORDED BY ANY OF THE FEATURES SET FORTH ABOVE AND HAS BEEN INDEPENDENTLY VERIFIED BY AN APPROVED TESTING LABORATORY AS MEETING STANDARDS FOR THOSE FEATURES ESTABLISHED BY THE ASTM OR THE AMERICAN SOCIETY OF MECHANICAL ENGINEERS (ASME).

(B) BEFORE THE ISSUANCE OF A FINAL APPROVAL FOR THE COMPLETION OF PERMITTED CONSTRUCTION OR REMODELING WORK, THE LOCAL BUILDING CODE OFFICIAL SHALL INSPECT THE DROWNING SAFETY PREVENTION FEATURES REQUIRED BY THIS SECTION AND, IF NO VIOLATIONS ARE FOUND, SHALL GIVE FINAL APPROVAL.

DIVISION 2 - SITEWORK

1. SITE PREPARATION PROJECT IS TO BE STAKED OUT FOR OWNER APPROVAL BEFORE FOR EARTHWORKS TO BEGIN.
2. SITE CLEARING CONTRACTOR WILL VERIFY WITH OWNER ALL PLANTING TO BE REMOVED PRIOR TO STARTING WORK.
3. LINES AND LEVELS THE CONTRACTOR WILL VISIT THE SITE AND EVALUATE GRADE CONDITION. FOR BIDDING PURPOSES, THE CONTRACTOR WILL CALCULATE HIS OWN CUT AND FILL QUANTITIES BASED ON THE SITE PLAN.
4. SHORING IS TO BE PROVIDE AS REQUIRED
5. EARTH WORK
 - a. REMOVE AND RECOMPACT LOOSE TOPSOIL AND SLIGHTLY ALTER THE EXISTING TOPOGRAPHY. ALL GRADING SHOULD BE PERFORMED IN ACCORDANCE WITH INYO COUNTY GRADING ORDINANCE.
 - b. THE CONTRACTOR IS TO VERIFY THE LOCATION OF UTILITY SERVICE IN THE AREA PRIOR TO EXCAVATION.
 - c. UNLESS OTHERWISE INDICATED ON THE DRAWINGS, ALL FINISH GRADES ARE TO SLOPE AWAY FROM THE BUILDING AND EXTERIOR PAVING 1/4" PER FOOT MINIMUM FOR A MINIMUM DISTANCE OF 5'-0". LOT DRAINAGE TO AVOID POOLING AT BUILDING.

project

County of Inyo
Pre-Approved
ADU/SFD Program

revisions

- △
- △
- △
- △
- △

description

Site
Information

date 2024

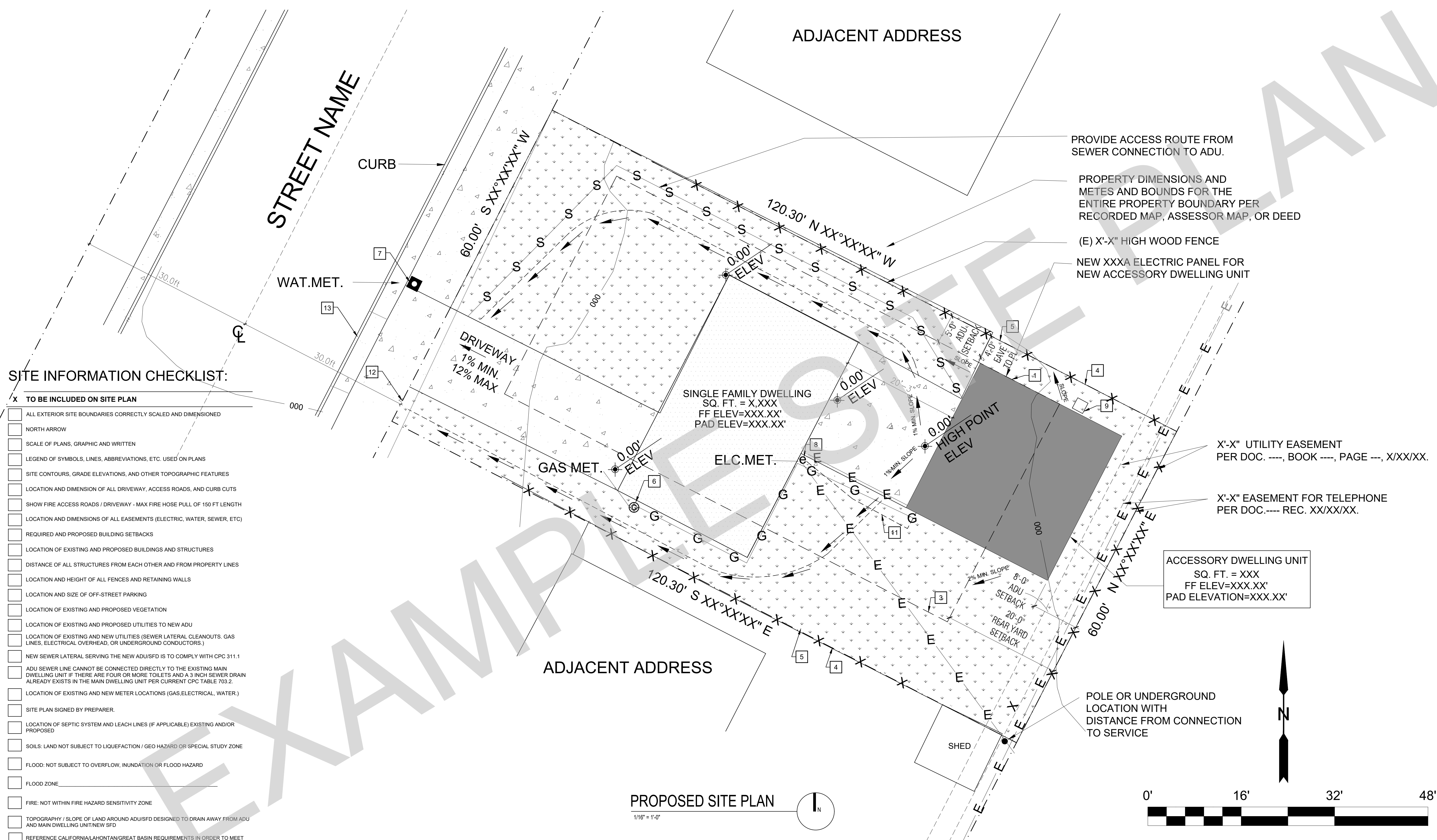
project no. INYO COUNTY ADU/SFDs

drawn by DESIGN PATH STUDIO

sheet no.

AS.1

BY USING THESE PERMIT READY CONSTRUCTION DOCUMENTS, THE RECIPIENT ACKNOWLEDGES, ACCEPTS AND VOLUNTARILY AFFIRMS THE FOLLOWING CONDITIONS:
1. THE USE OF THIS INFORMATION IS RESTRICTED TO THE ORIGINAL PROJECT FOR WHICH IT WAS PREPARED FOR THE PERMIT READY ACCESSORY DWELLING UNIT (ADU) PROGRAM FOR THE COUNTY OF INYO ONLY. THIS IS A LIMITED SET OF STANDARDIZED ADU PLANS AND SPECIFICATIONS APPROVED BY THE COUNTY OF INYO BUILDING DEPARTMENT. BUILDING CODES DO CHANGE OVER TIME AND RECIPIENT SHALL ENSURE FULL COMPLIANCE UNDER ALL CODES THEN IN EFFECT AT THE TIME OF THE SUBJECT PERMIT. THIS DOES NOT ELIMINATE OR REDUCE THE RECIPIENT'S RESPONSIBILITY TO VERIFY ANY AND ALL INFORMATION RELEVANT TO THE RECIPIENT'S WORK AND RESPONSIBILITY ON THIS PROJECT. DESIGN PATH STUDIO SHALL NOT BE RESPONSIBLE FOR TRANSLATION ERRORS. DO NOT USE THESE CONSTRUCTION DOCUMENTS IF THE PERMIT HAS EXPIRED OR IS REVOKED AT ALL.
2. THE RECIPIENT RECOGNIZES AND ACKNOWLEDGES THAT THE USE OF THIS INFORMATION WILL BE AT THEIR SOLE RISK AND WITHOUT ANY LIABILITY OR LEGAL EXPOSURE TO DESIGN PATH STUDIO. NO WARRANTIES OF ANY NATURE, WHETHER EXPRESS OR IMPLIED, SHALL ATTACH TO THESE DOCUMENTS AND THE INFORMATION CONTAINED THEREON. ANY USE, REUSE, OR ALTERATION OF THESE DOCUMENTS BY THE RECIPIENT OR BY OTHERS WILL BE AT THE RECIPIENT'S RISK AND FULL LEGAL RESPONSIBILITY. FURTHERMORE, THE RECIPIENT WILL, TO THE FULLEST EXTENT PERMITTED BY LAW, DEFEND, INDEMNIFY AND HOLD DESIGN PATH STUDIO AND ITS ARCHITECTS HARMLESS FROM ANY AND ALL CLAIMS, SUITS, LIABILITY, DEMANDS, JUDGMENTS, OR COSTS ARISING OUT OF OR RESULTING THEREFROM ANY USE OF THESE CONSTRUCTION DOCUMENTS FOR OR ON ACCOUNT OF ANY INJURY, DEATH, DAMAGE OR LOSS TO PERSONS OR PROPERTY, DIRECT OR CONSEQUENTIAL DAMAGES IN ANY AMOUNT. THIS INDEMNITY DOES NOT APPLY TO THE SOLE NEGLIGENCE OR WILLFUL MISCONDUCT OF DESIGN PATH STUDIO OR ITS ARCHITECTS.
3. THE DESIGNS REPRESENTED BY THESE PLANS ARE COPYRIGHTED AND ARE SUBJECT TO COPYRIGHT PROTECTION.
4. IF THE RECIPIENT DOES NOT AGREE WITH THE ABOVE CONDITIONS, DO NOT PROCEED WITH CONSTRUCTION OF AN ADU OR OTHER IMPROVEMENT UNDER THESE PLANS AT ALL.



SITE INFORMATION CHECKLIST:

- TO BE INCLUDED ON SITE PLAN
- ALL EXTERIOR SITE BOUNDARIES CORRECTLY SCALED AND DIMENSIONED
 - NORTH ARROW
 - SCALE OF PLANS, GRAPHIC AND WRITTEN
 - LEGEND OF SYMBOLS, LINES, ABBREVIATIONS, ETC. USED ON PLANS
 - SITE CONTOURS, GRADE ELEVATIONS, AND OTHER TOPOGRAPHIC FEATURES
 - LOCATION AND DIMENSION OF ALL DRIVEWAY, ACCESS ROADS, AND CURB CUTS
 - SHOW FIRE ACCESS ROADS / DRIVEWAY - MAX FIRE HOSE PULL OF 150 FT LENGTH
 - LOCATION AND DIMENSIONS OF ALL EASEMENTS (ELECTRIC, WATER, SEWER, ETC)
 - REQUIRED AND PROPOSED BUILDING SETBACKS
 - LOCATION OF EXISTING AND PROPOSED BUILDINGS AND STRUCTURES
 - DISTANCE OF ALL STRUCTURES FROM EACH OTHER AND FROM PROPERTY LINES
 - LOCATION AND HEIGHT OF ALL FENCES AND RETAINING WALLS
 - LOCATION AND SIZE OF OFF-STREET PARKING
 - LOCATION OF EXISTING AND PROPOSED VEGETATION
 - LOCATION OF EXISTING AND PROPOSED UTILITIES TO NEW ADU
 - LOCATION OF EXISTING AND NEW UTILITIES (SEWER LATERAL, CLEANOUTS, GAS LINES, ELECTRICAL OVERHEAD, OR UNDERGROUND CONDUCTORS)
 - NEW SEWER LATERAL SERVING THE NEW ADU/SFD IS TO COMPLY WITH CPC 311.1
 - ADU SEWER LINE CANNOT BE CONNECTED DIRECTLY TO THE EXISTING MAIN DWELLING UNIT IF THERE ARE FOUR OR MORE TOILETS AND A 3 INCH SEWER DRAIN ALREADY EXISTS IN THE MAIN DWELLING UNIT PER CURRENT CPC TABLE 703.2
 - LOCATION OF EXISTING AND NEW METER LOCATIONS (GAS, ELECTRICAL, WATER)
 - SITE PLAN SIGNED BY PREPARER.
 - LOCATION OF SEPTIC SYSTEM AND LEACH LINES (IF APPLICABLE) EXISTING AND/OR PROPOSED
 - SOILS: LAND NOT SUBJECT TO LIQUEFACTION / GEO HAZARD OR SPECIAL STUDY ZONE
 - FLOOD: NOT SUBJECT TO OVERFLOW, INUNDATION OR FLOOD HAZARD
 - FLOOD ZONE
 - FIRE: NOT WITHIN FIRE HAZARD SENSITIVITY ZONE
 - TOPOGRAPHY / SLOPE OF LAND AROUND ADU/SFD DESIGNED TO DRAIN AWAY FROM ADU AND MAIN DWELLING UNIT/NEW SFD
 - REFERENCE CALIFORNIA/LAHONTAN/GREAT BASIN REQUIREMENTS IN ORDER TO MEET INYO COUNTY STANDARDS

PROPOSED SITE PLAN
1/16" = 1'-0"

KEYNOTES
1 LINE OF EXTERIOR WALL, TYP.
2 LINE OF ROOF OVERHANG / DECK / AWNING / STRUCTURE ABOVE
3 REQUIRED SETBACKS
4 PROPERTY LINE, TYP.
5 FENCE- HEIGHT PER PLAN
6 EXISTING GAS METER
7 EXISTING WATER METER
8 EXISTING ELECTRIC METER.
9 CONDENSING UNIT
10 SURFACE WATER IS TO DRAIN AWAY FROM BUILDING. GRADE SHALL FALL A MIN. OF 6" WITHIN THE FIRST 10 FEET
11 FEEDER TO EXTEND TO EXISTING PANEL
12 NEW ADU/SFD SUB PANEL / DISCONNECT / JUNCTION BOX AND GROUNDING ELECTRODE SYSTEM PER NEC ARTICLE 250.32

GENERAL NOTES

- SPOT DIMENSIONS INDICATE ESTIMATED GRADE HEIGHTS. VERIFY IN FIELD PRIOR TO CONSTRUCTION.
- SEE BUILDING PLANS FOR ALL OTHER DIMENSIONS AND NOTES NOT SHOWN.
- SEE BUILDING PLANS AND SCHEDULES FOR ALL EXTERIOR DOOR AND WINDOW REFERENCES AND LOCATIONS.
- YARD SETBACKS ARE TO BE MEASURED FROM THE EXTERIOR WALL FINISH TO THE PROPERTY LINE AND NOT FROM THE OUTSIDE OF THE FOOTING (OR FACE OF STUDS).
- SEWER DRAIN CLEANOUTS REQUIRED AT 100 FOOT INTERVALS AND CHANGES IN DIRECTION OF 135 DEGREES OR MORE.

LEGEND	
SPOT GRADE ELEVATION	KEYNOTE
AREA OF NEW BUILDING FOOTPRINT	PROPERTY LINE
AREA OF EXISTING BUILDING FOOTPRINT	REQUIRED SETBACKS
CONCRETE PAVING	DRAINAGE PATTERN
LANDSCAPE	SITE CONTOURS
	NEW SEWER LINE
	NEW DOMESTIC WATER LINE
	NEW ELECTRICAL & TEL DATA LINE
	NEW GAS LINE
	NEW OR EXISTING FENCE TO COMPLY WITH ZONING CODE SECTION 37-50.090

CERTIFICATE OF ACCURACY

I CERTIFY ALL DOCUMENTS AND PLANS CLEARLY AND ACCURATELY SHOW ALL EXISTING AND ALL PROPOSED BUILDINGS, STRUCTURES, ACCESS ROADS, AND UTILITIES/UTILITY EASEMENTS. ALL PROPOSED LAND USE ACTIVITIES, IMPROVEMENTS TO LAND, AND/OR BUILDING MODIFICATIONS OR ADDITIONS ARE CLEARLY LABELED ON THE SITE PLAN OF THE APPROVED PLAN SET. I UNDERSTAND THAT ANY POTENTIALLY EXISTING DETAIL WITHIN THESE PLANS INCONSISTENT WITH THE SITE PLAN ARE NOT APPROVED AND MAY BE REQUIRED TO BE ALTERED OR REMOVED. THE SUBMITTED DOCUMENTS AND PLANS SHOW THE CORRECT DIMENSIONS OF THE PROPERTY, THE BUILDINGS, AND STRUCTURES AND THEIR SETBACKS FROM PROPERTY LINES AND FROM ONE ANOTHER, ACCESS ROADS/EASEMENTS, AND UTILITIES. THE EXISTING AND PROPOSED USE OF LAND AND OF EACH BUILDING AS STATED IS TRUE AND CORRECT. FURTHER, ALL IMPROVEMENTS EXISTING ON THE PROPERTY WERE COMPLETED IN ACCORDANCE WITH ALL REGULATIONS IN EXISTENCE AT THE TIME OF THEIR CONSTRUCTION, UNLESS OTHERWISE NOTED. ALL EASEMENTS AND OTHER ENCUMBRANCES TO DEVELOPMENT HAVE BEEN ACCURATELY SHOWN AND LABELED AS WELL AS ALL ON-SITE GRADING/SITE PREPARATION.

APPLICANT (SIGNATURE): _____ DATE: _____

SITE PLAN PREPARED BY (SIGNATURE) _____ DATE: _____

UTILITIES PROVIDERS:

- GAS: _____

- ELECTRIC: _____

- WATER: _____

SCHOOL DISTRICTS:

HIGH SCHOOL - _____

ELEMENTARY SCHOOL - _____

GRADING INFORMATION:

TOTAL CUBIC YARD OF EARTHWORK = _____

TOTAL FILL MATERIAL PLACED ON AN EXISTING SLOPE STEEPER THAN FIVE UNITS HORIZONTAL TO ONE VERTICAL = _____

TOTAL CUT OR FILL MATERIAL EXCEEDING FOUR FEET IN VERTICAL DEPTH, MEASURED FROM THE EXISTING GROUND SURFACE = _____

project
County of Inyo
Pre-Approved
ADU/SFD Program

revisions

description
Example Site Plan

date 2024

project no. INYO COUNTY ADU/SFDs

drawn by DESIGN PATH STUDIO

sheet no. **AS.2**

2022 CALIFORNIA GREEN BUILDING STANDARDS CODE RESIDENTIAL MANDATORY MEASURES, SHEET 1 (January 2023)

DESIGN PATH STUDIO
architecture + engineering + planning

DESIGN PATH STUDIO . COM

Y	NA	RESPON. PARTY	CHAPTER 3 GREEN BUILDING SECTION 301 GENERAL <p>301.1 SCOPE. Buildings shall be designed to include the green building measures specified as mandatory in the application checklists contained in this code. Voluntary green building measures are also included in the application checklists and may be included in the design and construction of structures covered by this code, but are not required unless adopted by a city, county, or city and county as specified in Section 101.7.</p> <p>301.1.1 Additions and alterations. [HCD] The mandatory provisions of Chapter 4 shall be applied to additions or alterations of existing residential buildings where the addition or alteration increases the building's conditioned area, volume, or size. The requirements shall apply only to and/or within the specific area of the addition or alteration.</p> <p>The mandatory provision of Section 4.106.4.2 may apply to additions or alterations of existing parking facilities or the addition of new parking facilities serving existing multifamily buildings. See Section 4.106.4.3 for application.</p> <p>Note: Repairs including, but not limited to, resurfacing, restriping and repairing or maintaining existing lighting fixtures are not considered alterations for the purpose of this section.</p> <p>Note: On and after January 1, 2014, residential buildings undergoing permitted alterations, additions, or replacements shall replace noncompliant plumbing fixtures with water-conserving plumbing fixtures. Plumbing fixture replacement is required prior to issuance of a certificate of final completion, certificate of occupancy or final permit approval by the local building department. See Civil Code Section 1101.1, et seq., for the definition of a noncompliant plumbing fixture, types of residential buildings affected and other important enactment dates.</p> <p>301.2 LOW-RISE AND HIGH-RISE RESIDENTIAL BUILDINGS. [HCD] - NOT USED</p> <p>SECTION 302 MIXED OCCUPANCY BUILDINGS</p> <p>302.1 MIXED OCCUPANCY BUILDINGS. - NOT USED</p> <p>DIVISION 4.1 PLANNING AND DESIGN</p> <p>ABBREVIATION DEFINITIONS:</p> <table border="1"><tr><td>HCD</td><td>Department of Housing and Community Development</td></tr><tr><td>BSC</td><td>California Building Standards Commission</td></tr><tr><td>DSA-SS</td><td>Division of the State Architect, Structural Safety</td></tr><tr><td>OSHDP</td><td>Office of Statewide Health Planning and Development</td></tr><tr><td>LR</td><td>Low Rise</td></tr><tr><td>HR</td><td>High Rise</td></tr><tr><td>AA</td><td>Additions and Alterations</td></tr><tr><td>N</td><td>New</td></tr></table> <p>CHAPTER 4 RESIDENTIAL MANDATORY MEASURES</p> <p>SECTION 4.102 DEFINITIONS</p> <p>4.102.1 DEFINITIONS The following terms are defined in Chapter 2 (and are included here for reference)</p> <p>FRENCH DRAIN. A trench, hole or other depressed area loosely filled with rock, gravel, fragments of brick or similar porous material used to collect or channel drainage or runoff water.</p> <p>WATTLETS. Wattles are used to reduce sediment in runoff. Wattles are often constructed of natural plant materials such as hay, straw or similar material shaped in the form of tubes and placed on a downflow slope. Wattles are also used for perimeter and inlet controls.</p> <p>4.106 SITE DEVELOPMENT</p> <p>4.106.1 GENERAL. Preservation and use of available natural resources shall be accomplished through evaluation and careful planning to minimize negative effects on the site and adjacent areas. Preservation of slopes, management of storm water drainage and erosion controls shall comply with this section.</p> <p>4.106.2 STORM WATER DRAINAGE AND RETENTION DURING CONSTRUCTION. Projects which disturb less than one acre of soil and are not part of a larger common plan of development which in total disturbs one acre or more, shall manage storm water drainage during construction. In order to manage storm water drainage during construction, one or more of the following measures shall be implemented to prevent flooding of adjacent property, prevent erosion and retain soil runoff on the site.</p> <ol style="list-style-type: none">Retention basins of sufficient size shall be utilized to retain storm water on the site.Where storm water is conveyed to a public drainage system, collection point, gutter or similar disposal method, water shall be filtered by use of a barrier system, wattle or other method approved by the enforcing agency.Compliance with a lawfully enacted storm water management ordinance. <p>Note: Refer to the State Water Resources Control Board for projects which disturb one acre or more of soil, or are part of a larger common plan of development which in total disturbs one acre or more of soil. (Website: https://www.waterboards.ca.gov/water_issues/programs/stormwater/construction.html)</p> <p>4.106.3 GRADING AND PAVING. Construction plans shall indicate how the site grading or drainage system will manage all surface water flows to keep water from entering buildings. Examples of methods to manage surface water include, but are not limited to, the following:</p> <ol style="list-style-type: none">SwalesWater collection and disposal systemsFrench drainsWater retention gardensOther water measures which keep surface water away from buildings and aid in groundwater recharge. <p>Exception: Additions and alterations not altering the drainage path.</p> <p>4.106.4 Electric vehicle (EV) charging for new construction. - NOT USED</p> <p>4.106.4.2 New multifamily dwellings, hotels and motels and new residential parking facilities. - NOT USED</p> <p>4.106.4.3 Electric vehicle charging for additions and alterations of parking facilities serving existing multifamily buildings. - NOT USED</p> <p>DIVISION 4.2 ENERGY EFFICIENCY</p> <p>4.201 GENERAL</p> <p>4.201.1 SCOPE. For the purposes of mandatory energy efficiency standards in this code, the California Energy Commission will continue to adopt mandatory standards.</p> <p>DIVISION 4.3 WATER EFFICIENCY AND CONSERVATION</p> <p>4.303 INDOOR WATER USE</p> <p>4.303.1 WATER CONSERVING PLUMBING FIXTURES AND FITTINGS. Plumbing fixtures (water closets and urinals) and fittings (faucets and showerheads) shall comply with the sections 4.303.1.1, 4.303.1.2, 4.303.1.3, and 4.303.1.4.</p> <p>Note: All noncompliant plumbing fixtures in any residential real property shall be replaced with water-conserving plumbing fixtures. Plumbing fixture replacement is required prior to issuance of a certificate of final completion, certificate of occupancy, or final permit approval by the local building department. See Civil Code Section 1101.1, et seq., for the definition of a noncompliant plumbing fixture, types of residential buildings affected and other important enactment dates.</p> <p>4.303.1.1 Water Closets. The effective flush volume of all water closets shall not exceed 1.28 gallons per flush. Tank-type water closets shall be certified to the performance criteria of the U.S. EPA WaterSense Specification for Tank-type Toilets.</p> <p>Note: The effective flush volume of dual flush toilets is defined as the composite, average flush volume of two reduced flushes and one full flush.</p> <p>4.303.1.2 Urinals. - NOT USED</p> <p>4.303.1.3 Showerheads.</p> <p>4.303.1.3.1 Single Showerhead. Showerheads shall have a maximum flow rate of not more than 1.8 gallons per minute at 80 psi. Showerheads shall be certified to the performance criteria of the U.S. EPA WaterSense Specification for Showerheads.</p> <p>4.303.1.3.2 Multiple showerheads serving one shower. When a shower is served by more than one showerhead, the combined flow rate of all the showerheads and/or other shower outlets controlled by a single valve shall not exceed 1.8 gallons per minute at 80 psi, or the shower shall be designed to only allow one shower outlet to be in operation at a time.</p> <p>Note: A hand-held shower shall be considered a showerhead.</p>	HCD	Department of Housing and Community Development	BSC	California Building Standards Commission	DSA-SS	Division of the State Architect, Structural Safety	OSHDP	Office of Statewide Health Planning and Development	LR	Low Rise	HR	High Rise	AA	Additions and Alterations	N	New	Y	NA	RESPON. PARTY
HCD	Department of Housing and Community Development																					
BSC	California Building Standards Commission																					
DSA-SS	Division of the State Architect, Structural Safety																					
OSHDP	Office of Statewide Health Planning and Development																					
LR	Low Rise																					
HR	High Rise																					
AA	Additions and Alterations																					
N	New																					

Y	NA	RESPON. PARTY	4.303.1.4 Faucets.	Y	NA	RESPON. PARTY																
			4.303.1.4.1 Residential Lavatory Faucets. The maximum flow rate of residential lavatory faucets shall not exceed 1.2 gallons per minute at 80 psi. The minimum flow rate of residential lavatory faucets shall not be less than 0.8 gallons per minute at 20 psi.																			
			4.303.1.4.2 Lavatory Faucets in Common and Public Use Areas. - NOT USED																			
			4.303.1.4.3 Metering Faucets. - NOT USED																			
			4.303.1.4.4 Kitchen Faucets. The maximum flow rate of kitchen faucets shall not exceed 1.8 gallons per minute at 80 psi. Kitchen faucets may temporarily increase the flow above the maximum rate, but not to exceed 2.2 gallons per minute at 80 psi, and must default to a maximum flow rate of 1.8 gallons per minute at 80 psi.																			
			Note: Where complying faucets are unavailable, aerators or other means may be used to achieve reduction.																			
			4.303.1.4.5 Pre-rinse spray valves. - NOT USED																			
			4.303.2 Submitters for multifamily buildings and dwelling units in mixed-used residential/commercial buildings. - NOT USED																			
			4.303.3 Standards for plumbing fixtures and fittings. Plumbing fixtures and fittings shall be installed in accordance with the California Plumbing Code, and shall meet the applicable standards referenced in Table 1701.1 of the California Plumbing Code.																			
			NOTE: THIS TABLE COMPILES THE DATA IN SECTION 4.303.1, AND IS INCLUDED AS A CONVENIENCE FOR THE USER.																			
			TABLE - MAXIMUM FIXTURE WATER USE																			
			<table border="1"><thead><tr><th>FIXTURE TYPE</th><th>FLOW RATE</th></tr></thead><tbody><tr><td>SHOWER HEADS (RESIDENTIAL)</td><td>1.8 GPM @ 80 PSI</td></tr><tr><td>LAVATORY FAUCETS (RESIDENTIAL)</td><td>MAX. 1.2 GPM @ 80 PSI MIN. 0.8 GPM @ 20 PSI</td></tr><tr><td>LAVATORY FAUCETS IN COMMON & PUBLIC USE AREAS</td><td>0.5 GPM @ 80 PSI</td></tr><tr><td>KITCHEN FAUCETS</td><td>1.8 GPM @ 80 PSI</td></tr><tr><td>METERING FAUCETS</td><td>0.2 GAL/CYCLE</td></tr><tr><td>WATER CLOSET</td><td>1.28 GAL/FLUSH</td></tr><tr><td>URINALS</td><td>0.125 GAL/FLUSH</td></tr></tbody></table>	FIXTURE TYPE	FLOW RATE	SHOWER HEADS (RESIDENTIAL)	1.8 GPM @ 80 PSI	LAVATORY FAUCETS (RESIDENTIAL)	MAX. 1.2 GPM @ 80 PSI MIN. 0.8 GPM @ 20 PSI	LAVATORY FAUCETS IN COMMON & PUBLIC USE AREAS	0.5 GPM @ 80 PSI	KITCHEN FAUCETS	1.8 GPM @ 80 PSI	METERING FAUCETS	0.2 GAL/CYCLE	WATER CLOSET	1.28 GAL/FLUSH	URINALS	0.125 GAL/FLUSH			
FIXTURE TYPE	FLOW RATE																					
SHOWER HEADS (RESIDENTIAL)	1.8 GPM @ 80 PSI																					
LAVATORY FAUCETS (RESIDENTIAL)	MAX. 1.2 GPM @ 80 PSI MIN. 0.8 GPM @ 20 PSI																					
LAVATORY FAUCETS IN COMMON & PUBLIC USE AREAS	0.5 GPM @ 80 PSI																					
KITCHEN FAUCETS	1.8 GPM @ 80 PSI																					
METERING FAUCETS	0.2 GAL/CYCLE																					
WATER CLOSET	1.28 GAL/FLUSH																					
URINALS	0.125 GAL/FLUSH																					
			4.304 OUTDOOR WATER USE																			
			4.304.1 OUTDOOR POTABLE WATER USE IN LANDSCAPE AREAS. Residential developments shall comply with a local water efficient landscape ordinance or the current California Department of Water Resources' Model Water Efficient Landscape Ordinance (MWELO), whichever is more stringent.																			
			NOTES:																			
			1. The Model Water Efficient Landscape Ordinance (MWELO) is located in the California Code Regulations, Title 23, Chapter 2.7, Division 2. MWEL0 and supporting documents, including water budget calculator, are available at: https://www.water.ca.gov																			
			DIVISION 4.4 MATERIAL CONSERVATION AND RESOURCE EFFICIENCY																			
			4.406 ENHANCED DURABILITY AND REDUCED MAINTENANCE																			
			4.406.1 RODENT PROOFING. Annular spaces around pipes, electric cables, conduits or other openings in sole/bottom plates at exterior walls shall be protected against the passage of rodents by closing such openings with cement mortar, concrete masonry or a similar method acceptable to the enforcing agency.																			
			4.408 CONSTRUCTION WASTE REDUCTION, DISPOSAL AND RECYCLING																			
			4.408.1 CONSTRUCTION WASTE MANAGEMENT. Recycle and/or salvage for reuse a minimum of 65 percent of the non-hazardous construction and demolition waste in accordance with either Section 4.408.2, 4.408.3 or 4.408.4, or meet a more stringent local construction and demolition waste management ordinance.																			
			Exceptions:																			
			1. Excavated soil and land-clearing debris.																			
			2. Alternate waste reduction methods developed by working with local agencies if diversion or recycle facilities capable of compliance with this item do not exist or are not located reasonably close to the jobsite.																			
			3. The enforcing agency may make exceptions to the requirements of this section when isolated jobsites are located in areas beyond the haul boundaries of the diversion facility.																			
			4.408.2 CONSTRUCTION WASTE MANAGEMENT PLAN. Submit a construction waste management plan in conformance with Items 1 through 5. The construction waste management plan shall be updated as necessary and shall be available during construction for examination by the enforcing agency.																			
			1. Identify the construction and demolition waste materials to be diverted from disposal by recycling, reuse on the project or salvage for future use or sale.																			
			2. Specify if construction and demolition waste materials will be sorted on-site (source separated) or bulk mixed (single stream).																			
			3. Identify diversion facilities where the construction and demolition waste material collected will be taken.																			
			4. Identify construction methods employed to reduce the amount of construction and demolition waste generated.																			
			5. Specify that the amount of construction and demolition waste materials diverted shall be calculated by weight or volume, but not by both.																			
			4.408.3 WASTE MANAGEMENT COMPANY. Utilize a waste management company, approved by the enforcing agency, which can provide verifiable documentation that the percentage of construction and demolition waste material diverted from the landfill complies with Section 4.408.1.																			
			Note: The owner or contractor may make the determination if the construction and demolition waste materials will be diverted by a waste management company.																			
			4.408.4 WASTE STREAM REDUCTION ALTERNATIVE [LR]. Projects that generate a total combined weight of construction and demolition waste disposed of in landfills, which do not exceed 3.4 lbs./sq.ft. of the building area shall meet the minimum 65% construction waste reduction requirement in Section 4.408.1																			
			4.408.4.1 WASTE STREAM REDUCTION ALTERNATIVE. Projects that generate a total combined weight of construction and demolition waste disposed of in landfills, which do not exceed 2 pounds per square foot of the building area, shall meet the minimum 65% construction waste reduction requirement in Section 4.408.1																			
			4.408.5 DOCUMENTATION. Documentation shall be provided to the enforcing agency which demonstrates compliance with Section 4.408.2, Items 1 through 5, Section 4.408.3 or Section 4.408.4.																			
			NOTES:																			
			1. Sample forms found in "A Guide to the California Green Building Standards Code (Residential)" located at www.hcd.ca.gov/CALGreen.html may be used to assist in documenting compliance with this section.																			
			2. Mixed construction and demolition debris (C & D) processors can be located at the California Department of Resources Recycling and Recovery (CalRecycle).																			
			4.410 BUILDING MAINTENANCE AND OPERATION																			
			4.410.1 OPERATION AND MAINTENANCE MANUAL. At the time of final inspection, a manual, compact disc, web-based reference or other media acceptable to the enforcing agency which includes all of the following shall be placed in the building:																			
			1. Directions to the owner or occupant that the manual shall remain with the building throughout the life cycle of the structure.																			
			2. Operation and maintenance instructions for the following: a. Equipment and appliances, including water-saving devices and systems, HVAC systems, photovoltaic systems, electric vehicle chargers, water-heating systems and other major appliances and equipment. b. Roof and yard drainage, including gutters and downspouts. c. Space conditioning systems, including condensers and air filters. d. Landscape irrigation systems. e. Water reuse systems.																			
			3. Information from local utility, water and waste recovery providers on methods to further reduce resource consumption, including recycle programs and locations.																			

Y	NA	RESPON. PARTY	4. Public transportation and/or carpool options available in the area.	Y	NA	RESPON. PARTY
			5. Educational material on the positive impacts of an interior relative humidity between 30-60 percent and what methods an occupant may use to maintain the relative humidity level in that range.			
			6. Information about water-conserving landscape and irrigation design and controllers which conserve water.			
			7. Instructions for maintaining gutters and downspouts and the importance of diverting water at least 5 feet away from the foundation.			
			8. Information on required routine maintenance measures, including, but not limited to, caulking, painting, grading around the building, etc.			
			9. Information about state solar energy and incentive programs available.			
			10. A copy of all special inspections verifications required by the enforcing agency or this code.			
			11. Information from the Department of Forestry and Fire Protection on maintenance of defensible space around residential structures.			
			12. Information and/or drawings identifying the location of grab bar reinforcements.			
			4.410.2 RECYCLING BY OCCUPANTS. Where 5 or more multifamily dwelling units are constructed on a building site, provide readily accessible area(s) that serves all buildings on the site and are identified for the depositing, storage and collection of non-hazardous materials for recycling, including (at a minimum) paper, corrugated cardboard, glass, plastics, organic waste, and metals, or meet a lawfully enacted local recycling ordinance, if more restrictive.			
			Exception: Rural jurisdictions that meet and apply for the exemption in Public Resources Code Section 42649.82 (g)(2)(A) et seq. are not required to comply with the organic waste portion of this section.			
			DIVISION 4.5 ENVIRONMENTAL QUALITY			
			SECTION 4.501 GENERAL			
			4.501.1 Scope The provisions of this chapter shall outline means of reducing the quality of air contaminants that are odorous, irritating and/or harmful to the comfort and well being of a building's installers, occupants and neighbors.			
			SECTION 4.502 DEFINITIONS			
			5.102.1 DEFINITIONS The following terms are defined in Chapter 2 (and are included here for reference)			
			AGRIFRIBER PRODUCTS. Agrifiber products include wheatboard, strawboard, panel substrates and door cores, not including furniture, fixtures and equipment (FFAE) not considered base building elements.			
			COMPOSITE WOOD PRODUCTS. Composite wood products include hardwood plywood, particleboard and medium density fiberboard. "Composite wood products" does not include hardboard, structural plywood, structural panels, structural composite lumber, oriented strand board, glued laminated timber, prefabricated wood joists or finger-jointed lumber, all as specified in California Code of Regulations (CCR), Title 17, Section 9320.1.			
			DIRECT-VENT APPLIANCE. A fuel-burning appliance with a sealed combustion system that draws all air for combustion from the outside atmosphere and discharges all flue gases to the outside atmosphere.			
			MAXIMUM INCREMENTAL REACTIVITY (MIR). The maximum change in weight of ozone formed by adding a compound to the "Base Reactive Organic Gas (ROG) Mixture" per weight of compound added, expressed to hundredths of a gram (g O ₃ /g ROG). Note: MIR values for individual compounds and hydrocarbon solvents are specified in CCR, Title 17, Sections 94700 and 94701.			
			MOISTURE CONTENT. The weight of the water in wood expressed in percentage of the weight of the oven-dry wood.			
			PRODUCT-WEIGHTED MIR (PWIMIR). The sum of all weighted-MIR for all ingredients in a product subject to this article. The PWIMIR is the total product reactivity expressed to hundredths of a gram of ozone formed per gram of product (excluding container and packaging). Note: PWIMIR is calculated according to equations found in CCR, Title 17, Section 94521 (a).			
			REACTIVE ORGANIC COMPOUND (ROC). Any compound that has the potential, once emitted, to contribute to ozone formation in the troposphere.			
			VOC. A volatile organic compound (VOC) broadly defined as a chemical compound based on carbon chains or rings with vapor pressures greater than 0.1 millimeters of mercury at room temperature. These compounds typically contain hydrogen and may contain oxygen, nitrogen and other elements. See CCR Title 17, Section 94508(a).			
			4.503 FIREPLACES			
			4.503.1 GENERAL. Any installed gas fireplace shall be a direct-vent sealed-combustion type. Any installed woodstove or pellet stove shall comply with U.S. EPA New Source Performance Standards (NSPS) emission limits as applicable, and shall have a permanent label indicating they are certified to meet the emission limits. Woodstoves, pellet stoves and fireplaces shall also comply with applicable local ordinances.			
			4.504 POLLUTANT CONTROL			
			4.504.1 COVERING OF DUCT OPENINGS & PROTECTION OF MECHANICAL EQUIPMENT DURING CONSTRUCTION. At the time of rough installation, during storage on the construction site and until final startup of the heating, cooling and ventilating equipment, all duct and other related air distribution component openings shall be covered with tape, plastic, sheet metal or other methods acceptable to the enforcing agency to reduce the amount of water, dust or debris which may enter the system.			
			4.504.2 FINISH MATERIAL POLLUTANT CONTROL. Finish materials shall comply with this section.			
			4.504.2.1 Adhesives, Sealants and Caulks. Adhesives, sealant and caulks used on the project shall meet the requirements of the following standards unless more stringent local or regional air pollution or air quality management district rules apply: 1. Adhesives, adhesive bonding primers, adhesive primers, sealants, sealant primers and caulks shall comply with local or regional air pollution control or air quality management district rules where applicable or SCAQMD Rule 1188 VOC limits, as shown in Table 4.504.1 or 4.504.2, as applicable. Such products also shall comply with the Rule 1188 prohibition on the use of certain toxic compounds (chloroform, ethylene dichloride, methylene chloride, perchloroethylene and trichloroethylene), except for aerosol products, as specified in Subsection 2 below. 2. Aerosol adhesives, and smaller unit sizes of adhesives, and sealant or caulking compounds (in units of product, less packaging, which do not weigh more than 1 pound and do not consist of more than 16 fluid ounces) shall comply with statewide VOC standards and other requirements, including prohibitions on use of certain toxic compounds, of California Code of Regulations, Title 17, commencing with Section 94502.1.			
			4.504.2.2 Paints and Coatings. Architectural paints and coatings shall comply with VOC limits in Table 1 of the ARB Architectural Suggested Control Measure, as shown in Table 4.504.3, unless more stringent local limits apply. The VOC content limit for coatings that do not meet the definitions for the specialty coatings categories listed in Table 4.504.3 shall be determined by classifying the coating as a Flat, Nonflat or Nonflat-High Gloss coating, based on its gloss, as defined in subsections 4.21, 4.36, and 4.37 of the 2007 California Air Resources Board, Suggested Control Measure, and the corresponding Flat, Nonflat or Nonflat-High Gloss VOC limit in Table 4.504.3 shall apply.			
			4.504.2.3 Aerosol Paints and Coatings. Aerosol paints and coatings shall meet the Product-weighted MIR Limits for ROC in Section 94522(a)(2) and other requirements, including prohibitions on use of certain toxic compounds and ozone depleting substances, in Sections 94522(e)(1) and (f)(1) of California Code of Regulations, Title 17, commencing with Section 94520; and in areas under the jurisdiction of the Bay Area Air Quality Management District additionally comply with the percent VOC by weight of product limits of Regulation 8, Rule 49.			
			4.504.2.4 Verification. Verification of compliance with this section shall be provided at the request of the enforcing agency. Documentation may include, but is not limited to, the following: 1. Manufacturer's product specification. 2. Field verification of on-site product containers.			
			4.504.3 CARPET SYSTEMS. All carpet installed in the building interior shall meet the requirements of the California Department of Public Health, "Standard Method for the Testing and Evaluation of Volatile Organic Chemical Emissions from Indoor Sources Using Environmental Chambers," Version 1.2, January 2017 (Emission testing method for California Specification 01350) See California Department of Public Health's website for certification programs and testing labs. https://www.cdph.ca.gov/Programs/CCDPHP/DEODCE/HLB/IAQ/Pages/VOC.aspx .			
			4.504.3.1 Carpet cushion. All carpet cushion installed in the building interior shall meet the requirements of the California Department of Public Health, "Standard Method for the Testing and Evaluation of Volatile Organic Chemical Emissions from Indoor Sources Using Environmental Chambers," Version 1.2, January 2017 (Emission testing method for California Specification 01350) See California Department of Public Health's website for certification programs and testing labs. https://www.cdph.ca.gov/Programs/CCDPHP/DEODCE/HLB/IAQ/Pages/VOC.aspx .			
			4.504.3.2 Carpet adhesive. All carpet adhesive shall meet the requirements of Table 4.504.1.			
			4.504.4 RESILIENT FLOORING SYSTEMS. Where resilient flooring is installed, at least 80% of floor area receiving resilient flooring shall meet the requirements of the California Department of Public Health, "Standard Method for the Testing and Evaluation of Volatile Organic Chemical Emissions from Indoor Sources Using Environmental Chambers," Version 1.2, January 2017 (Emission testing method for California Specification 01350) See California Department of Public Health's website for certification programs and testing labs. https://www.cdph.ca.gov/Programs/CCDPHP/DEODCE/HLB/IAQ/Pages/VOC.aspx .			

Y	NA	RESPON. PARTY	DIVISION 4.5 ENVIRONMENTAL QUALITY (continued)	Y	NA	RESPON. PARTY
			4.504.5 COMPOSITE WOOD PRODUCTS. Hardwood plywood, particleboard and medium density fiberboard composite wood products used on the interior or exterior of the buildings shall meet the requirements for formaldehyde as specified in ARB's Air Toxics Control Measure for Composite Wood (17 CCR 93120 et seq.), by or before the dates specified in those sections, as shown in Table 4.504.5.			
			4.504.5.1 Documentation. Verification of compliance with this section shall be provided as requested by the enforcing agency. Documentation shall include at least one of the following: 1. Product certifications and specifications. 2. Chain of custody certifications. 3. Product labels and invoices as meeting the Composite Wood Products regulation (see CCR, Title 17, Section 93120, et seq.). 4. Exterior grade products marked as meeting the PS-1 or PS-2 standards of the Engineered Wood Association, the Australian ANS/NZS 2269, European 636 3S standards, and Canadian CSA 0121, CSA 0151, CSA 0153 and CSA 0325 standards. 5. Other methods acceptable to the enforcing agency.			
			4.505 INTERIOR MOISTURE CONTROL			
			4.505.1 General. Buildings shall meet or exceed the provisions of the California Building Standards Code.			
			4.505.2 CONCRETE SLAB FOUNDATIONS. Concrete slab foundations required to have a vapor retarder by California Building Code, Chapter 19, or concrete slab-on-ground floors required to have a vapor retarder by the California Residential Code, Chapter 5, shall also comply with this section.			
			4.505.2.1 Capillary break. A capillary break shall be installed in compliance with at least one of the following: 1. A 4-inch (101.6 mm) thick base of 1/2 inch (12.7mm) or larger clean aggregate shall be provided with a vapor barrier in direct contact with concrete and a concrete mix design, which will address bleeding, shrinkage, and curling, shall be used. For additional information, see American Concrete Institute, ACI 302.2R-06. 2. Other equivalent methods approved by the enforcing agency. 3. A slab design specified by a licensed design professional.			
			4.505.3 MOISTURE CONTENT OF BUILDING MATERIALS. Building materials with visible signs of water damage shall not be installed. Wall and floor framing shall not be enclosed when the framing members exceed 19 percent moisture content. Moisture content shall be verified in compliance with the following: 1. Moisture content shall be determined with either a probe-type or contact-type moisture meter. Equivalent moisture verifying methods may be approved by the enforcing agency and shall satisfy requirements found in Section 101.8 of this code. 2. Moisture readings shall be taken at a point 2 feet (610 mm) to 4 feet (1219 mm) from the grade stamped end of each piece verified. 3. At least three random moisture readings shall be performed on wall and floor framing with documentation acceptable to the enforcing agency provided at the time of approval to enclose the wall and floor framing. Insulation products which are visibly wet or have a high moisture content shall be replaced or allowed to dry prior to enclosure in wall or floor cavities. Wet-applied insulation products shall follow the manufacturers' drying recommendations prior to enclosure.			
			4.506 INDOOR AIR QUALITY AND EXHAUST			
			4.506.1 Bathroom exhaust fans. Each bathroom shall be mechanically ventilated and shall comply with the following: 1. Fans shall be ENERGY STAR compliant and be ducted to terminate outside the building. 2. Unless functioning as a component of a whole house ventilation system, fans must be controlled by a humidity control. a. Humidity controls shall be capable of adjustment between a relative humidity range less than or equal to 50% to a maximum of 80%. A humidity control may utilize manual or automatic means of adjustment. b. A humidity control may be a separate component to the exhaust fan and is not required to be integral (i.e., built-in). Notes: 1. For the purposes of this section, a bathroom is a room which contains a bathtub, shower or tub/shower combination. 2. Lighting integral to bathroom exhaust fans shall comply with the California Energy Code.			
			4.507 ENVIRONMENTAL COMFORT			
			4.507.2 HEATING AND AIR-CONDITIONING SYSTEM DESIGN. Heating and air conditioning systems shall be sized, designed and have their equipment selected using the following methods: 1. The heat loss and heat gain is established according to ANSI/ACCA 2 Manual J - 2011 (Residential Load Calculation), ASHRAE handbooks or other equivalent design software or methods. 2. Duct systems are sized according to ANSI/ACCA 1 Manual D - 2014 (Residential Duct Systems), ASHRAE handbooks or other equivalent design software or methods. 3. Select heating and cooling equipment according to ANSI/ACCA 3 Manual S - 2014 (Residential Equipment Selection), or other equivalent design software or methods. Exception: Use of alternate design temperatures necessary to ensure the system functions are acceptable.			
			CHAPTER 7 INSTALLER & SPECIAL INSPECTOR QUALIFICATIONS			
			702 QUALIFICATIONS			
			702.1 INSTALLER TRAINING. HVAC system installers shall be trained and certified in the proper installation of HVAC systems including ducts and equipment by a nationally or regionally recognized training or certification program. Uncertified persons may perform HVAC installations when under the direct supervision and responsibility of a person trained and certified to install HVAC systems or contractor licensed to install HVAC systems. Examples of acceptable HVAC training and certification programs include but are not limited to the following: 1. State certified apprenticeship programs. 2. Public utility training programs. 3. Training programs sponsored by trade, labor or statewide energy consulting or verification organizations. 4. Programs sponsored by manufacturing organizations. 5. Other programs acceptable to the enforcing agency.			
			702.2 SPECIAL INSPECTION [HCD]. When required by the enforcing agency, the owner or the responsible entity acting as the owner's agent shall employ one or more special inspectors to provide inspection or other duties necessary to substantiate compliance with this code. Special inspectors shall demonstrate competence to the satisfaction of the enforcing agency for the particular type of inspection or task to be performed. In addition to other certifications or qualifications acceptable to the enforcing agency, the following certifications or education may be considered by the enforcing agency when evaluating the qualifications of a special inspector: 1. Certification by a national or regional green building program or standard publisher. 2. Certification by a statewide energy consulting or verification organization, such as HERS raters, building performance contractors, and home energy auditors. 3. Successful completion of a third party apprentice training program in the appropriate trade. 4. Other programs acceptable to the enforcing agency. Notes: 1. Special inspectors shall be independent entities with no financial interest in the materials or the project they are inspecting for compliance with this code. 2. HERS raters are special inspectors certified by the California Energy Commission (CEC) to rate homes in California according to the Home Energy Rating System (HERS). [BSC] When required by the enforcing agency, the owner or the responsible entity acting as the owner's agent shall employ one or more special inspectors to provide inspection or other duties necessary to substantiate compliance with this code. Special inspectors shall demonstrate competence to the satisfaction of the enforcing agency for the particular type of inspection or task to be performed. In addition, the special inspector shall have a certification from a recognized state, national or international association, as determined by the local agency. The area of certification shall be closely related to the primary job function, as determined by the local agency. Note: Special inspectors shall be independent entities with no financial interest in the materials or the project they are inspecting for compliance with this code.			
			703 VERIFICATIONS			
			703.1 DOCUMENTATION. Documentation used to show compliance with this code shall include but is not limited to, construction documents, plans, specifications, builder or installer certification, inspection reports, or other methods acceptable to the enforcing agency which demonstrate substantial conformance. When specific documentation or special inspection is necessary to verify compliance, that method of compliance will be specified in the appropriate section or identified applicable checklist.			

project
County of Inyo
Pre-Approved
ADU/SFD Program

revisions
△
△
△
△
△

ARCHITECTUAL GENERAL NOTES	ROOF NOTES (CONT'D)	FLOOR PLAN NOTES (CONT'D)	MECHANICAL NOTES (CONT'D)	ELECTRICAL NOTES (CONT'D)
<p>1. DO NOT SCALE THE DRAWING. USE THE DIMENSIONS ONLY. IF A DISCREPANCY IS FOUND TO EXIST, NOTIFY THE OWNER.</p> <p>2. THESE PLANS/SPECIFICATIONS AND ALL WORK SHALL COMPLY WITH CURRENT EDITION OF STATE OF CALIFORNIA TITLE 24 CCR AND CURRENT CPC, CMC AND CEC CODES.</p> <p>3. DETAILS ARE INTENDED TO SHOW METHOD AND MANNER OF ACCOMPLISHING WORK. MINOR MODIFICATIONS MAY BE REQUIRED TO SUIT THE JOB DIMENSIONS OR CONDITIONS AND IS TO BE REVIEWED AND APPROVED BY THE COUNTY OF INYO.</p> <p>4. VERIFY ALL DIMENSIONS AND CONDITIONS AT THE SITE AND STAKE OUT STRUCTURE FOR OWNER'S APPROVAL PRIOR TO STARTING ANY WORK.</p> <p>5. ALL WEATHER-EXPOSED SURFACES ARE TO HAVE A WEATHER-RESISTIVE BARRIER TO PROTECT THE INTERIOR WALL COVERING AND THAT EXTERIOR OPENINGS ARE TO BE FLASHED IN SUCH A MANNER AS TO MAKE THEM WEATHERPROOF.</p> <p>6. SPECIFICATIONS FOR EQUIPMENT SHALL BE KEPT ON SITE TO PROVIDE TO THE COUNTY OF INYO BUILDING INSPECTOR</p> <p>7. AN ENCROACHMENT PERMIT IS REQUIRED FOR ANY CONSTRUCTION, RECONSTRUCTION, OR CLOSURE OR THE ROADWAY, SIDEWALK OR RIGHT OF WAY. APPLICANT SHALL CONTACT ENGINEERING DEPARTMENT TO PROCESS.</p> <p>8. APPLICANT IS RESPONSIBLE TO PROVIDE SITE PLAN (PLOT PLAN) TO THE CITY FOR REVIEW AND APPROVAL.</p> <p>9. APPLICANT IS RESPONSIBLE TO VERIFY WHETHER THE JOB SITE IS LOCATED WITHIN A FEDERAL EMERGENCY MANAGEMENT AGENCY (FEMA) FLOOD ZONE. PROJECTS LOCATED IN A SPECIAL FLOOD HAZARD AREA DESIGNATED ON THE FLOOD INSURANCE RATE MAP (FIRM) AS ZONE A OR AE, SHALL PROVIDE AN ELEVATION CERTIFICATE WITH SUPPORTED DOCUMENTS TO THE CITY FOR REVIEW AND APPROVAL PRIOR TO BUILDING PERMIT ISSUANCE.</p> <p>10. SUBMIT GRADING PLANS AND/OR PROVIDE ADU/SFD GRADING PERMIT EXEMPTION CHECKLIST FOR REVIEW AND APPROVAL AT TIME OF PERMIT APPLICATION.</p> <p>11. THE PV SYSTEM WILL BE SUBMITTED UNDER A SEPARATE PERMIT. A PHOTOVOLTAIC (SOLAR) SYSTEM BUILDING AND ELECTRICAL PERMIT SHALL BE ISSUED PRIOR TO ADU/SFD BUILDING FRAME INSPECTION REQUEST.</p> <p>12. SOIL REPORT REQUIREMENT: IF A SOILS REPORT IS REQUIRED BY THE LOCAL JURISDICTION, THE GEOTECHNICAL INVESTIGATIONS SHALL BE CONDUCTED IN ACCORDANCE WITH CBC SECTION 1803.2 AND REPORTED IN ACCORDANCE WITH CBC SECTION 1803.6. -THE GEOTECHNICAL ENGINEER OF RECORD SHALL REVIEW THE CITY APPROVED PLANS FOR GENERAL CONFORMANCE WITH THE SOIL REPORT; OTHERWISE, AN ALTERNATE FOUNDATION PLAN DESIGNED BY A CALIFORNIA REGISTERED CIVIL ENGINEER IS REQUIRED</p>	<p>14. FOR PHOTOVOLTAIC ARRAYS OCCUPYING NOT MORE THAN 33 PERCENT OF THE PLAN VIEW TOTAL ROOF AREA, NOT LESS THAN AN 18-INCH (457 MM) CLEAR SETBACK IS REQUIRED ON BOTH SIDES OF A HORIZONTAL RIDGE. FOR PHOTOVOLTAIC ARRAYS OCCUPYING MORE THAN 33 PERCENT OF THE PLAN VIEW TOTAL ROOF AREA, NOT LESS THAN A 36-INCH (914 MM) CLEAR SETBACK IS REQUIRED ON BOTH SIDES OF A HORIZONTAL RIDGE.</p> <p>15. PER SECTION R806.5/EM3.9.6: a. WHERE ONLY AIR-IMPERMEABLE IS PROVIDED, IT SHALL BE APPLIED IN DIRECT CONTACT WITH UNDERSIDE OF THE STRUCTURAL ROOF SHEATHING. b. WHERE AIR-PERMEABLE INSULATION IS INSTALLED DIRECTLY BELOW THE STRUCT. SHEATHING, RIGID BOARD OR SHEET INSULATION SHALL BE INSTALLED DIRECTLY ABOVE THE STRUCTURAL ROOF SHEATHING w/ MIN. R VALUE BASED ON CLIMATE ZONE PER TABLE R806.5. c. WHERE BOTH AIR-IMPERMEABLE AND AIR-PERMEABLE INSULATION ARE PROVIDED, THE AIR-IMPERMEABLE INSULATION SHALL BE APPLIED IN DIRECT CONTACT WITH THE UNDERSIDE OF THE STRUCT. ROOF SHEATHING w/ MIN. R VALUE BASED ON CLIMATE ZONE PER TABLE R806.5.FOR CONDENSATION CONTROL.</p>	<p>19. VOC'S MUST COMPLY WITH THE LIMITATION LISTED IN SECTION 4.504.3 AND TABLES 4.504.1, 4.504.2, 4.504.3, AND 4.504.4 FOR: ADHESIVES, PAINTS, STAINS, CAULKS AND COATINGS, CARPET AND COMPOSITION WOOD PRODUCTS.DOCUMENTATION SHALL BE PROVIDED TO VERIFY THAT COMPLIANT VOC LIMIT FINISHED MATERIALS HAVE BEEN USED.</p> <p>20. INTERIOR MOISTURE CONTROL AT SLAB ON GRADE FLOORS SHALL BE PROVIDED BY THE SOIL ENGINEER. IF A SOIL ENGINEER HAS NOT PREPARED A SOIL REPORT FOR THIS PROJECT, THE FOLLOWING IS REQUIRED: A 4" THICK BASE OF 1/2" OR LARGER CLEAN AGGREGATE SHALL BE PROVIDED WITH A VAPOR BARRIER IN DIRECT CONTACT WITH CONCRETE, WITH A CONCRETE MIX DESIGN WHICH WILL ADDRESS BLEEDING, SHRINKAGE AND CURLING SHALL BE USED.</p> <p>21. MOISTURE CONTENT OF WOOD SHALL NOT EXCEED 19% BEFORE IT IS ENCLOSED IN CONSTRUCTION. THE MOISTURE CONTENT NEEDS TO BE CERTIFIED BY ONE OF 3 METHODS SPECIFIED. BUILDING MATERIAL WITH VISIBLE SIGNS OF WATER DAMAGE SHOULD NOT BE USED IN CONSTRUCTION. THE MOISTURE CONTENT MUST BE DETERMINED BY THE CONTRACTOR BY ONE OF THE LISTED METHODS LISTED IN CGG SECTION 4.505.3 PRIOR TO FINAL APPROVAL OF THE BUILDING THE LICENSED CONTRACTOR, ARCHITECT OR ENGINEER IN RESPONSIBLE CHARGE OF THE OVERALL CONSTRUCTION MUST COMPLETE AND SIGN THE GREEN BUILDING STANDARDS CERTIFICATION FORM AND GIVEN TO THE BUILDING DEPT OFFICIAL TO BE FILED WITH THE APPROVED PLANS</p> <p>22. LANDSCAPE IRRIGATION WATER USE SHALL HAVE WEATHER BASED CONTROLLERS.</p> <p>23. PROJECTS WHICH DISTURB LESS THAN ONE ACRE OF SOIL SHALL MANAGE STORM WATER DRAINAGE DURING CONSTRUCTION BY ONE OF THE FOLLOWING: A. RETENTION BASIN. B. WHERE STORM WATER IS CONVEYED TO A PUBLIC DRAINAGE SYSTEM, WATER SHALL BE FILTERED BY USE OF A BARRIER SYSTEM, WATTLE OR OTHER APPROVED METHOD. CGC 4.106.2.</p> <p>24. THE CONTRACTOR SHALL SUBMIT A CONSTRUCTION WASTE MANAGEMENT PLAN TO THE JURISDICTION AGENCY THAT REGULATES WASTE MANAGEMENT, PER CGC 4.408.2.</p> <p>25. THE BUILDER IS TO PROVIDE AN OPERATION MANUAL (CONTAINING INFORMATION FORM MAINTAINING APPLIANCES, ETC.) FOR THE OWNER AT THE TIME OF FINAL INSPECTION. CGC 4.410.0.</p> <p>26. DURING CONSTRUCTION, ENDS OF DUCT OPENINGS ARE TO BE SEALED, AND MECHANICAL EQUIPMENT IS TO BE COVERED. CGC 4.504.1</p> <p>27. BATHROOM FANS SHALL BE ENERGY STAR RATED, VENTED DIRECTLY TO THE OUTSIDE AND CONTROLLED BY A HUMIDISTAT.</p> <p>28. SPECIAL INSPECTORS EMPLOYED BY THE ENFORCING AGENCY MUST BE QUALIFIED AND ABLE TO DEMONSTRATE COMPETENCE IN THE DISCIPLINE THEY ARE INSPECTING.</p> <p>29. VERIFICATION OF COMPLIANCE WITH THIS CODE MAY INCLUDE CONSTRUCTION DOC. PLANS, SPECIFICATION BUILDER OR INSTALLER CERTIFICATIONS, INSPECTIONS REPORTS, OR OTHER METHODS ACCEPTABLE TO THE ENFORCING AGENCY WHICH TO SHOW SUBSTANTIAL CONFORMANCE.</p> <p>30. NEW SINGLE FAMILY RESIDENTIAL CONSTRUCTION SHALL BE DESIGNED FOR AGING-IN-PLACE DESIGN AND FALL PREVENTION PER R327 A) AT LEAST ONE BATHROOM ON THE ENTRY LEVEL SHALL BE PROVIDED WITH REINFORCEMENT INSTALLED, WHERE THERE IS NO BATHROOM ON THE ENTRY LEVEL, AT LEAST ONE BATHROOM ON THE SECOND OR THIRD FLOOR OF THE DWELLING SHALL COMPLY WITH THIS SECTION. B) REINFORCEMENT SHALL BE SOLID LUMBER OR OTHER CONSTRUCTION MATERIALS APPROVED BY THE ENFORCING AGENCY. C) REINFORCEMENT SHALL NOT BE LESS THAN 2 BY 8 INCH NOMINAL LUMBER. REINFORCEMENT SHALL BE LOCATED BETWEEN 32 INCHES AND 39-1/4 INCHES ABOVE THE FINISHED FLOOR FLUSH WITH THE WALL FRAMING. D) WATER CLOSET REINFORCEMENT SHALL BE INSTALLED ON BOTH SIDE WALLS OF THE FIXTURE, OR ONE SIDE WALL AND THE BACK WALL. E) SHOWER REINFORCEMENT SHALL BE CONTINUOUS WHERE WALL FRAMING IS PROVIDED. F) BATHTUB AND COMBINATION BATHTUB/SHOWER REINFORCEMENT SHALL BE CONTINUOUS ON EACH END OF THE BATHTUB AND THE BACK WALL. ADDITIONALLY, BACK WALL REINFORCEMENT FOR A LOWER GRAB BAR SHALL BE PROVIDED WITH THE BOTTOM EDGE LOCATED NO MORE THAN 6 INCHES ABOVE THE BATHTUB RIM.</p>	<p>7. EXHAUST DUCTS AND DRYER VENTS SHALL BE EQUIPPED WITH BACK DRAFT DAMPERS</p> <p>8. ALL EXHAUST FANS SHALL BE SWITCHED SEPARATELY FROM LIGHTING SYSTEMS. (CENC 150(K) 2B)</p>	<p>17. PER CEC 2022 150.0(N).1.A.: IF THE DESIGNATED SPACE IS WITHIN 3 FEET FROM THE WATER HEATER, THEN THIS SPACE SHALL INCLUDE THE FOLLOWING:A DEDICATED 125 VOLT, 20 AMP ELECTRICAL RECEPTACLE THAT IS CONNECTED TO THE ELECTRIC PANEL WITH A 120/240 VOLT 3 CONDUCTOR, 10 AWG COPPER BRANCH CIRCUIT, WITHIN 3 FEET FROM THE WATER HEATER AND ACCESSIBLE TO THE WATER HEATER WITH NO OBSTRUCTIONS; AND • BOTH ENDS OF THE UNUSED CONDUCTOR SHALL BE LABELED WITH THE WORD "SPARE" AND BE ELECTRICALLY ISOLATED; AND • A RESERVED SINGLE POLE CIRCUIT BREAKER SPACE IN THE ELECTRICAL PANEL ADJACENT TO THE CIRCUIT BREAKER FOR THE BRANCH CIRCUIT IN A ABOVE AND LABELED WITH THE WORDS "FUTURE 240V USE"; AND • A CONDENSATE DRAIN THAT IS NO MORE THAN 2 INCHES HIGHER THAN THE BASE OF THE INSTALLED WATER HEATER, AND ALLOWS NATURAL DRAINING WITHOUT PUMP ASSISTANCE.</p> <p>18. ELECTRICAL RECEPTACLE OUTLETS IN BATHROOM MUST BE NO MORE THAN 48 INCHES OR LESS THAN 15-INCHES MEASURE FROM THE FINISHED FLOOR.</p> <p>19. DOORBELL BUTTON MUST BE INSTALLED NO MORE THAN 48 INCHES FROM EXTERIOR FLOOR.</p> <p>20. LUMINAIRE EFFICACY - ALL INSTALLED LUMINAIRES SHALL MEET THE REQUIREMENTS OF 2022 BUILDING ENERGY EFFICIENCY STANDARDS TABLE 150.0-A PER SECTION 150.0(K).</p>
<p style="text-align: center;">ROOF NOTES</p>	<p style="text-align: center;">FLOOR PLAN NOTES</p>	<p style="text-align: center;">MECHANICAL NOTES</p>	<p style="text-align: center;">PLUMBING NOTES</p>	<p style="text-align: center;">ELECTRIC READY NOTES: 2022 ENERGY EFFICIENCY STANDARDS 150.0</p>
<p>1. FLASHINGS SHALL BE INSTALLED IN A MANNER THAT PREVENTS MOISTURE FROM ENTERING THE WALL AND ROOF THROUGH JOINTS IN COPINGS, THROUGH MOISTURE PERMEABLE MATERIALS AND AT INTERSECTIONS WITH PARAPET WALLS AND OTHER PENETRATIONS THROUGH THE ROOF PLANE.</p> <p>2. UNLESS ROOFS ARE SLOPED TO DRAIN OVER ROOF EDGES, ROOF DRAINS SHALL BE INSTALLED AT EACH LOW POINT OF ROOF.</p> <p>3. ROOF ASSEMBLIES SHALL BE OF MATERIALS THAT ARE COMPATIBLE WITH EACH OTHER AND WITH THE BUILDING OR STRUCTURE TO WHICH THE MATERIALS ARE APPLIED.</p> <p>4. BUILDING-INTEGRATED PHOTOVOLTAIC PRODUCTS INSTALLED AS THE ROOF COVERING SHALL BE TESTED, LISTED AND LABELED FOR FIRE CLASSIFICATION IN ACCORDANCE WITH SECTION R902.1 THROUGH R902.4.</p> <p>5. ASPHALT SHINGLES SHALL BE USED ONLY ON ROOF SLOPES OF TWO UNITS VERTICAL IN 12 UNITS HORIZONTAL (17-PERCENT SLOPE) OR GREATER. FOR ROOF SLOPES FROM TWO UNITS VERTICAL IN 12 UNITS HORIZONTAL (17-PERCENT SLOPE) UP TO FOUR UNITS VERTICAL IN 12 UNITS HORIZONTAL (33-PERCENT SLOPE), DOUBLE UNDERLAYMENT APPLICATION IS REQUIRED IN ACCORDANCE WITH SECTION R905.1.1.</p> <p>6. CLAY AND CONCRETE ROOF TILE SHALL BE INSTALLED ON ROOF SLOPES OF TWO AND ONE-HALF UNITS VERTICAL IN 12 UNITS HORIZONTAL (25-PERCENT SLOPE) OR GREATER. FOR ROOF SLOPES FROM TWO AND ONE-HALF UNITS VERTICAL IN 12 UNITS HORIZONTAL (25-PERCENT SLOPE) TO FOUR UNITS VERTICAL IN 12 UNITS HORIZONTAL (33-PERCENT SLOPE), DOUBLE UNDERLAYMENT APPLICATION IS REQUIRED IN ACCORDANCE WITH SECTION R905.3.3.</p> <p>7. SLATE SHINGLES SHALL BE USED ONLY ON SLOPES OF FOUR UNITS VERTICAL IN 12 UNITS HORIZONTAL (33-PERCENT SLOPE) OR GREATER.</p> <p>8. THE MINIMUM SLOPE FOR STANDING-SEAM ROOF SYSTEMS SHALL BE ONE-QUARTER UNIT VERTICAL IN 12 UNITS HORIZONTAL (2-PERCENT SLOPE).</p> <p>9. BUILT-UP ROOFS SHALL HAVE A DESIGN SLOPE OF NOT LESS THAN ONE-FOURTH UNIT VERTICAL IN 12 UNITS HORIZONTAL (2-PERCENT SLOPE) FOR DRAINAGE, EXCEPT FOR COAL-TAR BUILT-UP ROOFS, WHICH SHALL HAVE A DESIGN SLOPE OF A MINIMUM ONE-EIGHTH UNIT VERTICAL IN 12 UNITS HORIZONTAL (1-PERCENT SLOPE).</p> <p>10. MINERAL-SURFACED ROLL ROOFING SHALL NOT BE APPLIED ON ROOF SLOPES BELOW ONE UNIT VERTICAL IN 12 UNITS HORIZONTAL (8-PERCENT SLOPE).</p> <p>11. MODIFIED BITUMEN ROOFING SHALL HAVE A DESIGN SLOPE OF NOT LESS THAN ONE-FOURTH UNIT VERTICAL IN 12 UNITS HORIZONTAL (2-PERCENT SLOPE) FOR DRAINAGE.</p> <p>12. SINGLE-PLY MEMBRANE ROOFS SHALL HAVE A DESIGN SLOPE OF NOT LESS THAN ONE-FOURTH UNIT VERTICAL IN 12 UNITS HORIZONTAL (2-PERCENT SLOPE) FOR DRAINAGE.</p> <p>13. A CLASS A ROOF ASSEMBLY SHALL BE INSTALLED. IF THE APPLICANT DEVIATES FROM THE ROOF SPECIFICATIONS ON SHEET T1.1, THE APPLICANT SHALL PROVIDE A COPY OF THE ICC/UL LISTING</p>	<p>1. ALL DIMENSIONS TO FACE OF STUD, U.N.O.</p> <p>2. ALL DOORS SHOULD BE 3 1/2" FROM NEAREST INTERSECTING WALL AT HINGED SIDE, U.N.O.</p> <p>3. WRITTEN DIMENSIONS TO PREVAIL OVER SCALING OF DRAWINGS. CONTRACTOR TO VERIFY ALL DIM. PRIOR TO CONSTRUCTION AND IMMEDIATELY NOTIFY OWNER OF ANY DISCREPANCIES.</p> <p>4. REFER TO FRAMING PLANS AND SECTIONS FOR CLARIFICATION AND DIM. NOT SHOWN.</p> <p>5. ALL ROOF DRAIN PIPES TO BE MIN. 2" STORM DRAINAGE SYSTEM UNLESS LOCAL CODE REQUIRES LARGER DRAIN SIZES. ROOF GUTTERS: STYLE A - INSTALLED AND DESIGNED IN ACCORDANCE WITH SMACNA MANUAL, PLATE #1, #2 & #3, GUTTER, PAGE 6 - 11, WIDTH AS REQUIRED TO HANDLE THE AMOUNT OF ROOF WATER FOR MAXIMUM STORMS, SMACNA CHART #2, PAGE #2. GUTTER: SIZE; PAGES 1.2, 3, 4, 5 & 8, CHARTS #1, #2, #3, #4, #5 & #6 & #7 STYLE: PLATE #2, STYLE A, PAGE 9 EXPANSION: PLATE #6, PAGE 16 & 17 HANGING: PLATE #19, FIG. C, PAGE 43. DOWN SPOUTS: PLAIN RECTANGULAR, AS REQUIRED BY SMACNA MANUAL CHART #3, PAGE #3. SEE ARCHITECT FOR LOCATIONS OF DOWN SPOUTS. ALL DOWN SPOUTS ARE TO BE DESIGNED TO HANDLE THE AMOUNT OF ROOF WATER FOR MAXIMUM STORMS, SMACNA CHART #2, PAGE #2. DOWN SPOUTS ARE TO DEPOSIT DIRECTLY OVER A NDS 6 INCH SQUARE, MODEL 641 OR APPROVED EQUAL (SEE SECTION 02710 MORE INFORMATION)</p> <p>6. TRANSITION OF FLOOR MATERIALS OCCURRING IN OPENINGS WITH DOORS TO BE LOCATED UNDER THE CENTER OF THE DOOR IN THE CLOSED POSITION. TRANSITION OF FLOOR MATERIAL OCCURRING WITH NO DOOR TO BE LOCATED TO ALIGN WITH THE FACE OF THE PARTITION, U.O.N</p> <p>7. DIFFUSERS AND GRILLS TO MATCH COLOR OF SURFACE AT WHICH THEY ARE MOUNTED, U.O.N</p> <p>8. FLOOR FINISH TO CONTINUE UNDER MILLWORK WHERE FLOOR IS VISIBLE (I.E. TRASH, RECYCLING, ECT.) 8. SILICON SEALANT AT GLAZING TO BE CLEAR, U.O.N.</p> <p>9. PLUMBING, ELECTRICAL, AND SPRINKLER EQUIPMENT, IF REQUIRED TO BE PAINTED TO MATCH COLOR OF ADJACENT SURFACE.</p> <p>10. ALL FINISH MATERIAL MUST MEET ALL APPLICATION FIRE, LIFE SAFETY, AND BUILDING CODES. 80% OF FLOOR AREA RECEIVING RESILIENT FLOORING SHALL COMPLY WITH SPECIFIED VOC CRITERIA. PARTICLE BOARD, MDF AND PLYWOOD USED IN INTERIOR FINISH SYSTEMS SHALL COMPLY WITH LOW FORMALDEHYDE EMISSION STANDARDS.</p> <p>11. OPERATION AND MAINTENANCE MANUAL: THE BUILDER IS TO PROVIDE AN OPERATION MANUAL (CONTAINING INFORMATION FOR MAINTAINING APPLIANCES, ETC.) FOR THE OWNER AT THE TIME OF FINAL INSPECTION.</p> <p>12. WEEP SCREED FOR STUCCO AT THE FOUNDATION PLATE LINE SHALL BE A MIN. OF 4" ABOVE THE EARTH OR 2" ABOVE PAVED AREAS. CRC R703.7.2.1, CBC 2512.1.2</p> <p>13. FASTENERS AND CONNECTIONS (NAILS, ANCHORS BOLTS ECT) IN CONTACT WITH PRESERVATIVE-TREATED WOOD SHALL BE OF HOT-DIPPED ZINC-COATED GALVANIZED STEEL, STAINLESS STEEL, SILICON BRONZE OR COPPER. (CRC R317.3, CBC 2304.10.5)</p> <p>14. ANCHOR BOLTS SHALL INCLUDE STEEL PLATE WASHERS A MIN. OF 0.229" X 3" X 3" IN SIZE, BETWEEN SILL PLATE AND NUT. (CRC R602.11.1, CBC 2308.3.2 ACCEPTANCE ALTERNATIVE SDPWS 4.3.6.4.3)</p> <p>15. FUTURE WATER HEATERS AND PLUMBING FIXTURES SHALL MEET THE REQUIREMENTS OF SECTION 2-5314 AND TABLE 2-53G, TITLE 24, C.A.C.</p> <p>16. 15, 20 AND 30 AMP. RECEPTACLE OUTLETS SHALL BE INSTALLED NO MORE THAN 48" MEASURED FROM THE TOP OF OUTLET BOX AND NOT LESS THAN 15" FROM THE BOTTOM OF OUTLET BOX ABOVE THE FLOOR.</p> <p>17. SITE SHALL BE PLANNED AND DEVELOPED TO KEEP SURFACE WATER AWAY FROM BUILDINGS. PLANS SHALL BE PROVIDED AND APPROVED BY THE CITY ENGINEER THAT SHOW SITE GRADING AND PROVIDE FOR STORM WATER RETENTION AND DRAINAGE DURING CONSTRUCTION. BMP'S THAT ARE CURRENTLY ENFORCED BY THE CITY ENGINEER MUST BE IMPLEMENTED PRIOR TO INITIAL INSPECTION BY THE BUILDING DEPT.</p> <p>18. 65 % OF CONSTRUCTION WASTE IS TO BE RECYCLED AND 100% OF INERT MATERIALS ARE RECYCLED SALVAGED, COMPOSTED.</p>	<p>1. WHERE WATER CLOSET COMPARTMENT IS INDEPENDENT OF THE BATHROOM OR SHOWER AREA, A FAN WILL BE REQ. IN EACH AREA. BATHROOMS SHALL HAVE AN EXHAUST FAN WITH HUMIDITY CONTROL SENSOR, MIN. 50 CFM CAPACITY. (CRC R303.3.1)</p> <p>2. ROOMS CONTAINING BATHTUBS, SHOWERS, SPAS AND SIMILAR FIXTURES SHALL BE PROVIDED WITH AN EXHAUST FAN WITH HUMIDITY CONTROL SENSOR HAVING A MIN. CAPACITY OF 50 CFM DUCTED TO TERMINATE OUTSIDE THE BLDG. (CRC R303.3, CAL GREEN 4.505.1, CBC 1203.5.2.1, CMC 402.5)</p> <p>3. SUPPLY AND RETURN AIR DUCTS TO BE INSULATED AT A MIN. OF R-6. (CAL ENERGY CODE TABLE 150.1-A)</p> <p>4. WHERE WHOLE HOUSE FANS ARE USED IN BATHROOM AREAS, THE FAN MUST RUN CONTINUOUSLY AND SHALL NOT BE TIED TO HUMIDITY CONTROL SENSOR. (CAL GREEN 4.506.1)</p> <p>5. ENVIRONMENTAL AIR DUCTS SHALL TERMINATE MIN. 3 FEET FROM PROPERTY LINE OR OPENINGS INTO BLDG., AND 10' FROM A FORCED AIR INLET. (CMC 502.2.1)</p> <p>6. PROVIDE A CONDENSATE DRAIN NO MORE THAN 2" ABOVE THE BASE OF THE WATER HEATER SPACE. (CAL ENERGY CODE 150.0 (N).</p>	<p>1. ALL HOSE BIBS ARE TO HAVE VACUUM BREAKERS. (CPC603.5.7)</p> <p>2. THE MAX. AMOUNT OF WATER CLOSETS ON A 3" HORIZONTAL DRAINAGE SYSTEM LINE IS 5 (CPC TABLE 703.2)</p> <p>3. THE MAX. AMOUNT OF WATER CLOSETS ON A 3" VERTICAL DRAINAGE LINE IS 5. (CPC TABLE 703.2)</p> <p>4. PROVIDE GAS LINES WITH A MN. CAPACITY OF 200,000BTU FOR WATER HEATER. (CAL ENERGY CODE 150.0(N))</p> <p>5. INSULATE ALL HOT WATER PIPES. CAL ENERGY CODE 150.0(j) (2), and CPC 609.11)</p> <p>6. ISOLATION VALVES ARE REQ. FOR TANKLESS WATER HEATERS ON THE HOT AND COLD SUPPLY LINES WITH HOSE BIBS ON EACH VALVE, TO FLUSH THE HEAT EXCHANGER. (CAL ENERGY CODE 110.3(7)).</p> <p>7. PLUMBING FIXTURES AND FITTINGS INSTALLED IN RESIDENTIAL BUILDINGS SHALL COMPLY WITH THE PRESCRIPTIVE REQ. OF SECTIONS 4.303.1.1 THROUGH 4.303.1.4.4.</p> <p>8. PLUMBING FIXTURES AND FITTINGS REQ. IN SECTION 4.303.1 SHALL BE INSTALLED IN ACCORDANCE WITH THE CALIFORNIA PLUMBING CODE AND SHALL MEET THE THE APPLICABLE REFERENCE STANDARDS.</p> <p>9. ALL HOSE CONNECTIONS SHALL BE EQUIPPED WITH NON-REMOVABLE BACK FLOW PREVENTERS. [CPC 603.3.3]</p>	<p>(S) ENERGY STORAGE SYSTEMS (ESS) READY. ALL SINGLE-FAMILY RESIDENCES THAT INCLUDE ONE OR TWO DWELLING UNITS SHALL MEET THE FOLLOWING. ALL ELECTRICAL COMPONENTS SHALL BE INSTALLED IN ACCORDANCE WITH THE CALIFORNIA ELECTRICAL CODE:</p> <p>1. AT LEAST ONE OF THE FOLLOWING SHALL BE PROVIDED: A. ESS READY INTERCONNECTION EQUIPMENT WITH A MINIMUM BACKED-UP CAPACITY OF 60 AMPS AND A MINIMUM OF FOUR ESS-SUPPLIED BRANCH CIRCUITS, OR B. A DEDICATED RACEWAY FROM THE MAIN SERVICE TO A PANELBOARD (SUBPANEL) THAT SUPPLIES THE BRANCH CIRCUITS IN SECTION 150.0(S)(2). ALL BRANCH CIRCUITS ARE PERMITTED TO BE SUPPLIED BY THE MAIN SERVICE PANEL PRIOR TO THE INSTALLATION OF AN ESS. THE TRADE SIZE OF THE RACEWAY SHALL BE NOT LESS THAN ONE INCH. THE PANELBOARD THAT SUPPLIES THE BRANCH CIRCUITS (SUBPANEL) MUST BE LABELED "SUBPANEL SHALL INCLUDE ALL BACKED-UP LOAD CIRCUITS."</p> <p>2. A MINIMUM OF FOUR BRANCH CIRCUITS SHALL BE IDENTIFIED AND HAVE THEIR SOURCE OF SUPPLY COLLOCATED AT A SINGLE PANELBOARD SUITABLE TO BE SUPPLIED BY THE ESS. AT LEAST ONE CIRCUIT SHALL SUPPLY THE REFRIGERATOR, ONE LIGHTING CIRCUIT SHALL BE LOCATED NEAR THE PRIMARY EGRESS, AND AT LEAST ONE CIRCUIT SHALL SUPPLY A SLEEPING ROOM RECEPTACLE OUTLET.</p> <p>3. THE MAIN PANELBOARD SHALL HAVE A MINIMUM BUSBAR RATING OF 225 AMPS.</p> <p>4. SUFFICIENT SPACE SHALL BE RESERVED TO ALLOW FUTURE INSTALLATION OF A SYSTEM ISOLATION EQUIPMENT/TRANSFER SWITCH WITHIN 3 FEET OF THE MAIN PANELBOARD. RACEWAYS SHALL BE INSTALLED BETWEEN THE PANELBOARD AND THE SYSTEM ISOLATION EQUIPMENT/TRANSFER SWITCH LOCATION TO ALLOW THE CONNECTION OF BACKUP POWER SOURCE.</p>
			<p>1. RECEPTACLE OUTLET LOCATIONS WILL COMPLY WITH CEC ARTICLE 210.52 & CRC SECTION R327.1.2. TAMPER RESISTANT RECEPTACLE OUTLET LOCATIONS SHALL COMPLY W/ NEC ART. 210-52 AND 550.13 (I.E. ALL RECEPTACLES IN A DWELLING).</p> <p>2. ARC-FAULT PROTECTION FOR ALL OUTLETS (NOT JUST RECEPTACLES) LOCATED IN ROOMS DESCRIBED IN NEC 210.12(A): KITCHENS, LAUNDRY AREAS, FAMILY, LIVING, BEDROOMS, DINING, HALLS, ETC. ALL BRANCH CIRCUITS WILL BE ARC FAULT CIRCUIT PROTECTED PER NEC ART. 210-12(B). THERE ARE TO BE A MINIMUM OF 2 SMALL APPLIANCE BRANCH CIRCUITS WITHIN THESE AREAS CEC 210.11(C)1</p> <p>3. BATHROOM CIRCUITING SHALL BE EITHER: a) A 20 AMPERE CIRCUIT DEDICATED TO EACH BATHROOM. b) AT LEAST ONE 20 AMPERE CIRCUIT SUPPLYING ONLY BATHROOM RECEPTACLE OUTLETS PER NEC ART. 210-11(c)3.</p> <p>4. ALL 125-VOLT, SINGLE-PHASE, 15- AND 20- AMPERE RECEPTACLES INSTALLED IN BATHROOMS, GARAGES, BASEMENTS, OUTDOORS, LAUNDRY AREA, KITCHEN DISHWASHERS, KITCHEN COUNTERS AND AT WET BAR SINKS, WITHIN 6' OF A SINK, SHALL BE GFCI PROTECTED PER NEC ART. 210-8(A).</p> <p>5. WEATHER RESISTANT TYPE FOR RECEPTACLES INSTALLED IN DAMP OR WET LOCATIONS (OUTSIDE) NEC 406.4(D)(6)</p> <p>6. PER LIGHTING MEASURES 150(K)4 N T-24, THE BEDROOMS, HALLWAY, LIVING ROOM AND OFFICE ARE REQUIRED TO HAVE ANY INSTALLED FIXTURE TO BE ON A DIMMER SWITCH OR THE FIXTURE NEEDS TO BE HIGH EFFICACY.</p> <p>7. OUTDOOR LIGHTING FIXTURES ARE REQUIRED TO BE HIGH EFFICACY OR CONTROLLED BY A COMBINATION PHOTOCONTROL / MOTION SENSOR.</p> <p>8. A RECEPTACLE OUTLET MUST BE INSTALLED IN EVERY ROOM SO THAT NO POINT ALONG THE WALL SPACE IS MORE THAN 6 FEET, MEASURED HORIZONTALLY ALONG THE FLOOR LINE FROM A RECEPTACLE OUTLET CEC 210.52(A)</p> <p>9. SMOKE DETECTORS MUST BE PERMANENTLY WIRED. IN NEW CONSTRUCTION, REQUIRED SMOKE ALARMS SHALL RECEIVE THEIR PRIMARY POWER FROM THE BUILDING WIRING WHERE SUCH WIRING IS SERVED FROM A COMMERCIAL SOURCE AND SHALL BE EQUIPPED WITH A BATTERY BACK-UP. SMOKE ALARMS SHALL EMIT A SIGNAL WHEN THE BATTERIES ARE LOW. WIRING SHALL BE PERMANENT AND WITHOUT A DISCONNECTING SWITCH OTHER THAN AS REQUIRED FOR OVERCURRENT PROTECTION.</p> <p>10. WHERE MORE THAN ONE SMOKE ALARM IS REQUIRED TO BE INSTALLED, THE SMOKE ALARMS SHALL BE INTERCONNECTED IN SUCH A MANNER THAT THE ACTIVATION OF ONE ALARM WILL ACTIVATE ALL THE ALARMS IN THE INDIVIDUAL DWELLING UNIT. THE ALARM SHALL BE CLEARLY AUDIBLE IN ALL BEDROOMS OVER BACKGROUND NOISE LEVELS WITH ALL INTERVENING DOORS CLOSED.</p> <p>11. ALL EXHAUST FANS SHALL BE SWITCHED SEPARATELY FROM LIGHTING SYSTEMS. (CENC 150(K) 2B)</p> <p>12. A MINIMUM OF ONE LUMINAIRE SHALL BE INSTALLED IN BATHROOM CONTROLLED BY AN OCCUPANT OR VACANCY SENSOR PROVIDING AUTOMATIC -OFF FUNCTIONALLY (CENC 150.0(K)21)</p> <p>13. LAUNDRY AREA SHALL AT LEAST 1-20 AMP DEDICATED BRANCH CIRCUIT (CEC 210.11 (C)(2)</p> <p>14. PROVIDE A DEDICATED CIRCUIT FOR THE A.C./FAU (CEC 422.12)</p> <p>15. A DEDICATED 125V, 20AMP ELECTRICAL RECEPTACLE THAT IS CONNECTED TO THE ELECTRICAL PANEL WITH A $\frac{3}{16}$"-VOLT 3 CONDUCTOR, 10 AWG COPPER BRANCH CIRCUIT, WITHIN 3 FEET FROM THE WATER HEATER AND ACCESSIBLE TO THE WATER HEATER WITH NO OBSTRUCTIONS (CENC 150.0(N)1A)</p> <p>16. SMOKE DETECTORS MUST BE PERMANENTLY WIRED. IN NEW CONSTRUCTION, REQUIRED SMOKE ALARMS SHALL RECEIVE THEIR PRIMARY POWER FROM THE BUILDING WIRING WHERE SUCH WIRING IS SERVED FROM A COMMERCIAL SOURCE AND SHALL BE EQUIPPED WITH A BATTERY BACK-UP. SMOKE ALARMS SHALL EMIT A SIGNAL WHEN THE BATTERIES ARE LOW. WIRING SHALL BE PERMANENT AND WITHOUT A DISCONNECTING SWITCH OTHER THAN AS REQUIRED FOR OVER CURRENT PROTECTION.</p>	<p>(T) HEAT PUMP SPACE HEATER READY. SYSTEMS USING GAS OR PROPANE FURNACE TO SERVE INDIVIDUAL DWELLING UNITS SHALL INCLUDE THE FOLLOWING:</p> <p>1. A DEDICATED 240 VOLT BRANCH CIRCUIT WIRING SHALL BE INSTALLED WITHIN 3 FEET FROM THE FURNACE AND ACCESSIBLE TO THE FURNACE WITH NO OBSTRUCTIONS. THE BRANCH CIRCUIT CONDUCTORS SHALL BE RATED AT 30 AMPS MINIMUM. THE BLANK COVER SHALL BE IDENTIFIED AS "240V READY." ALL ELECTRICAL COMPONENTS SHALL BE INSTALLED IN ACCORDANCE WITH THE CALIFORNIA ELECTRICAL CODE.</p> <p>2. THE MAIN ELECTRICAL SERVICE PANEL SHALL HAVE A RESERVED SPACE TO ALLOW FOR THE INSTALLATION OF A DOUBLE POLE CIRCUIT BREAKER FOR A FUTURE HEAT PUMP SPACE HEATER INSTALLATION. THE RESERVED SPACE SHALL BE PERMANENTLY MARKED AS "FOR FUTURE 240V USE."</p> <p>(U) ELECTRIC COOKTOP READY. SYSTEMS USING GAS OR PROPANE COOKTOP TO SERVE INDIVIDUAL DWELLING UNITS SHALL INCLUDE THE FOLLOWING:</p> <p>1. A DEDICATED 240 VOLT BRANCH CIRCUIT WIRING SHALL BE INSTALLED WITHIN 3 FEET FROM THE COOKTOP AND ACCESSIBLE TO THE COOKTOP WITH NO OBSTRUCTIONS. THE BRANCH CIRCUIT CONDUCTORS SHALL BE RATED AT 50 AMPS MINIMUM. THE BLANK COVER SHALL BE IDENTIFIED AS "240V READY." ALL ELECTRICAL COMPONENTS SHALL BE INSTALLED IN ACCORDANCE WITH THE CALIFORNIA ELECTRICAL CODE.</p> <p>2. THE MAIN ELECTRICAL SERVICE PANEL SHALL HAVE A RESERVED SPACE TO ALLOW FOR THE INSTALLATION OF A DOUBLE POLE CIRCUIT BREAKER FOR A FUTURE ELECTRIC COOKTOP INSTALLATION. THE RESERVED SPACE SHALL BE PERMANENTLY MARKED AS "FOR FUTURE 240V USE."</p> <p>(V) ELECTRIC CLOTHES DRYER READY. CLOTHES DRYER LOCATIONS WITH GAS OR PROPANE PLUMBING TO SERVE INDIVIDUAL DWELLING UNITS SHALL INCLUDE THE FOLLOWING:</p> <p>1. A DEDICATED 240 VOLT BRANCH CIRCUIT WIRING SHALL BE INSTALLED WITHIN 3 FEET FROM THE CLOTHES DRYER LOCATION AND ACCESSIBLE TO THE CLOTHES DRYER LOCATION WITH NO OBSTRUCTIONS. THE BRANCH CIRCUIT CONDUCTORS SHALL BE RATED AT 30 AMPS MINIMUM. THE BLANK COVER SHALL BE IDENTIFIED AS "240V READY." ALL ELECTRICAL COMPONENTS SHALL BE INSTALLED IN ACCORDANCE WITH THE CALIFORNIA ELECTRICAL CODE.</p> <p>2. THE MAIN ELECTRICAL SERVICE PANEL SHALL HAVE A RESERVED SPACE TO ALLOW FOR THE INSTALLATION OF A DOUBLE POLE CIRCUIT BREAKER FOR A FUTURE ELECTRIC CLOTHES DRYER INSTALLATION. THE RESERVED SPACE SHALL BE PERMANENTLY MARKED AS "FOR FUTURE 240V USE."</p>
				<p>BY USING THESE PERMIT READY CONSTRUCTION DOCUMENTS, THE RECIPIENT ACKNOWLEDGES, ACCEPTS AND VOLUNTARILY AFFIRMS THE FOLLOWING CONDITIONS: 1. THE USE OF THIS INFORMATION IS RESTRICTED TO THE ORIGINAL PROJECT FOR WHICH IT WAS PREPARED FOR THE PERMIT READY ACCESSORY DWELLING UNIT (ADU) PROGRAM FOR THE COUNTY OF INYO ONLY. THIS IS A LIMITED SET OF STANDARDIZED ADU PLANS AND SPECIFICATIONS APPROVED BY THE COUNTY OF INYO BUILDING DEPARTMENT. BUILDING CODES DO CHANGE OVER TIME AND RECIPIENT SHALL ENSURE FULL COMPLIANCE UNDER ALL CODES THEN IN EFFECT AT THE TIME OF THE SUBJECT PERMIT. THIS DOES NOT ELIMINATE OR REDUCE THE RECIPIENT'S RESPONSIBILITY TO VERIFY ANY AND ALL INFORMATION RELEVANT TO THE RECIPIENT'S WORK AND RESPONSIBILITY ON THIS PROJECT. DESIGN PATH STUDIO SHALL NOT BE RESPONSIBLE FOR TRANSLATION ERRORS; DO NOT USE THESE CONSTRUCTION DOCUMENTS IF THE PERMIT HAS EXPIRED OR IS REVOKED AT ALL. 2. THE RECIPIENT RECOGNIZES AND ACKNOWLEDGES THAT THE USE OF THIS INFORMATION WILL BE AT THEIR SOLE RISK AND WITHOUT ANY LIABILITY OR LEGAL EXPOSURE TO DESIGN PATH STUDIO. NO WARRANTIES OF ANY NATURE, WHETHER EXPRESS OR IMPLIED, SHALL ATTACH TO THESE DOCUMENTS AND THE INFORMATION CONTAINED THEREON. ANY USE, REUSE, OR ALTERATION OF THESE DOCUMENTS BY THE RECIPIENT OR BY OTHERS WILL BE AT THE RECIPIENT'S RISK AND FULL LEGAL RESPONSIBILITY. FURTHERMORE, THE RECIPIENT WILL, TO THE FULLEST EXTENT PERMITTED BY LAW, DEFEND, INDEMNIFY AND HOLD DESIGN PATH STUDIO AND ITS ARCHITECTS HARMLESS FROM ANY AND ALL CLAIMS, SUITS, LIABILITY, DEMANDS, JUDGMENTS, OR COSTS ARISING OUT OF OR RESULTING THEREFROM ANY USE OF THESE CONSTRUCTION DOCUMENTS FOR OR ON ACCOUNT OF ANY INJURY, DEATH, DAMAGE OR LOSS TO PERSONS OR PROPERTY, DIRECT OR CONSEQUENTIAL DAMAGES IN ANY AMOUNT. THIS INDEMNITY DOES NOT APPLY TO THE SOLE NEGLIGENCE OR WILLFUL MISCONDUCT OF DESIGN PATH STUDIO OR ITS ARCHITECTS. 3. THE DESIGNS REPRESENTED BY THESE PLANS OR COPYRIGHTED AND ARE SUBJECT TO COPYRIGHT PROTECTION. 4. IF THE RECIPIENT DOES NOT AGREE WITH THE ABOVE CONDITIONS, DO NOT PROCEED WITH CONSTRUCTION OF AN ADU OR OTHER IMPROVEMENT UNDER THESE PLANS AT ALL.</p> <p>project</p> <p>County of Inyo Pre-Approved ADU/SFD Program</p> <p>revisions</p> <p>△</p> <p>△</p> <p>△</p> <p>△</p> <p>description</p> <p>General Notes</p> <p>date 2024</p> <p>project no. INYO COUNTY ADU/SFDS</p> <p>drawn by DESIGN PATH STUDIO</p> <p>sheet no. G0.2</p>

VERY HIGH FIRE SEVERITY ZONE (VHFSZ) NOTES

GENERAL NOTE:
THE ADU/SFD SHALL COMPLY WITH CHAPTER 7A OF THE CURRENT CALIFORNIA BUILDING CODE IF IT IS IN THE VHFSZ.
STRUCTURES IN THE VERY HIGH FIRE HAZARD SEVERITY ZONE SHALL PROVIDE & MAINTAIN A FUEL MODIFICATION ZONE. FUEL MODIFICATION ZONES: THE APPLICANT SHALL PROVIDE AND MAINTAIN FIRE/FUEL BREAKS TO THE SATISFACTION OF THE CITY'S FIRE DEPARTMENT. FIRE/FUEL BREAK SIZE (MINIMUM 100 FEET FROM STRUCTURE) & COMPOSITION SHALL BE DETERMINED BY THE FIRE DEPARTMENT & SHOWN ON THE IMPROVEMENT/GRADING PLANS, FINAL MAP, & BUILDING PLANS

CBC CHAPTER 7A - MATERIALS & CONSTRUCTION METHODS FOR EXTERIOR WILDLIFE EXPOSURE
IF THE PROPERTY THAT WILL CONTAIN THE ADU/SFD IS IN THE VERY HIGH FIRE HAZARD SEVERITY ZONE THESE NOTES SHALL APPLY. THE JURISDICTION HAS DETERMINED THAT THIS PROJECT IS IN A WILDLIFE -URBAN INTERFACE AREA. PLEASE SHOW COMPLIANCE WITH THE FOLLOWING ITEMS FOR NEW BUILDINGS, PER THE 2022 CBC.
EXCEPTIONS:

- BUILDINGS OF AN ACCESSORY CHARACTER CLASSIFIED AS A GROUP U OCCUPANCY AND NOT EXCEEDING 120 SQUARE FEET IN FLOOR AREA. WHEN LOCATED AT LEAST 30 FEET FROM AN APPLICABLE BUILDING.
- BUILDINGS OF AN ACCESSORY CHARACTER CLASSIFIES AS A GROUP U OCCUPANCY OF ANY SIZE LOCATED LEAST 50' FROM AN APPLICABLE BUILDING.
- BUILDINGS CLASSIFIED AS A GROUP U AGRICULTURE BUILDING. AS DEFINED IN SECTION 202 OF THE CODE (SEE ALSO APPENDIX C - GROUP U AGRICULTURE BUILDINGS), WHEN LOCATED AT LEAST 50' FROM AN APPLICABLE BUILDING.

REQUIREMENTS:

- 705A.2 ROOF COVERINGS. WHERE THE ROOF PROFILE HAS AN AIRSPACE UNDER THE ROOF COVERING, INSTALLED OVER A COMBUSTIBLE DECK, A 72 LB. (32.7 KG) CAP SHEET COMPLYING WITH ASTM D3909 STANDARD SPECIFICATION FOR "ASPHALT ROLLED ROOFING (GLASS FELT) SURFACED WITH MINERAL GRANULES," SHALL BE INSTALLED OVER THE ROOF DECK. BIRD STOPS SHALL BE USED AT THE EAVES WHEN THE PROFILE FITS. TO PREVENT DEBRIS AT THE EAVE. HIP AND RIDGE CAPS SHALL BE MUDDED IN TO PREVENT INTRUSION OF FIRE OR EMBERS. EXCEPTION: CAP SHEET IS NOT REQUIRED WHEN NO LESS THAN 1" OF MINERAL WOOL BOARD OR OTHER NONCOMBUSTIBLE MATERIAL IS LOCATED BETWEEN THE ROOFING MATERIAL AND WOOD FRAMING OR DECK. ALTERNATELY, A CLASS A FIRE RATED ROOF UNDERLAYMENT. TESTED IN ACCORDANCE WITH ASTM E108, SHALL BE PERMITTED TO BE USED. IF THE SHEATHING CONSISTS OF EXTERIOR FIRE-RETARDANT TREATED WOOD, THE UNDERLAYMENT SHALL NOT BE REQUIRED TO COMPLY WITH A CLASS A CLASSIFICATION. BIRD STOPS SHALL BE USED AT THE EAVES WHEN THE PROFILE FITS. TO PREVENT DEBRIS AT THE EAVE. HIP AND RIDGE CAPS SHALL BE MUDDED IN TO PREVENT INTRUSION OF FIRE OR EMBERS.
- 705A.3 ROOF VALLEYS. WHERE VALLEY FLASHING IS INSTALLED, THE FLASHING SHALL BE NOT LESS THAN 0.019-INCH NO. 26 GAGE GALVANIZED SHEET CORROSION-RESISTANT METAL INSTALLED OVER NOT LESS THAN ONE LAYER OF MIN. 72 POUND MINERAL - SURFACED NON PERFORATED CAP SHEET COMPLYING WITH ASTM D 3909. AT LEAST 36-INCH -WIDE RUNNING THE FULL LENGTH OF THE VALLEY.
- 705A.4 ROOF GUTTER. ROOF GUTTERS SHALL BE PROVIDED WITH THE MEANS TO PREVENT THE ACCUMULATION OF LEAVES AND DEBRIS IN THE GUTTER.
- 706A.2 VENTILATION OPENINGS SHALL BE FULLY COVERED WITH WILDFIRE FLAME AND EMBER RESISTANT VENTS APPROVED AND LISTED BY THE CALIFORNIA STATE FIRE MARSHAL, OR WUI VENTS TESTED TO ASTM E2886 AND LISTED, BY COMPLYING WITH ALL OF THE FOLLOWING REQUIREMENTS:
 - THERE SHALL BE NO FLAMING IGNITION OF THE COTTON MATERIAL DURING THE EMBER INTRUSION TEST
 - THERE SHALL BE NO FLAMING IGNITION DURING THE INTEGRITY TEST PORTION OF THE FLAME INTRUSION TEST
 - THE MAXIMUM TEMPERATURE OF THE UNEXPOSED SIDE OF THE VENT SHALL NOT EXCEED 662 F
- 706A.2.1 VENTS THAT ARE INSTALLED ON A SLOPED ROOF, SUCH AS DORMER VENTS, SHALL COMPLY WITH ALL THE FOLLOWING
 - VENTS SHALL BE COVERED WITH A MESH WHERE THE DIMENSIONS OF THE MESH THEREIN SHALL BE A MINIMUM OF $\frac{1}{16}$ - INCH AND SHALL NOT EXCEED $\frac{1}{8}$ - INCH IN DIAMETER
 - THE MESH MATERIAL SHALL BE NONCOMBUSTIBLE
 - THE MESH MATERIAL SHALL BE CORROSION RESISTANT.
- 707A.3 EXTERIOR WALLS COVERINGS. THE EXTERIOR WALL COVERING SHALL COMPLY WITH ONE OR MORE OF THE FOLLOWING REQUIREMENTS, EXCEPT AS PERMITTED FOR EXTERIOR WALL ASSEMBLIES COMPLYING WITH SECTION 707A.4:
 - NONCOMBUSTIBLE MATERIAL
 - IGNITION- RESISTANT MATERIAL. THE IGNITION-RESISTANT MATERIAL SHALL BE LABELED FOR EXTERIOR USE AND SHALL MEET THE REQUIREMENTS OF SECTION 704A.2.
 - FIRE-RETARDANT-TREATED WOOD. THE FIRE-RETARDANT-TREATED WOOD SHALL BE LABELED FOR EXTERIOR USE AND SHALL MEET THE REQUIREMENTS OF SECTION 2303.2.
- 707A.3.1 EXTENT OF EXTERIOR WALL COVERING. EXTERIOR WALL COVERINGS SHALL EXTEND FROM THE TOP OF THE FOUNDATION TO THE ROOF AND TERMINATE AT 2" NOMINAL SOLID WOOD BLOCKING BETWEEN RAFTERS AT ALL ROOF OVERHANGS, OR IN THE CASE OF ENCLOSED EAVES, TERMINATE AT THE ENCLOSURE.

- 707A.4 EXTERIOR WALL ASSEMBLIES. EXTERIOR WALL ASSEMBLIES OF BUILDINGS OR STRUCTURES SHALL BE CONSTRUCTED USING ONE OR MORE OF THE FOLLOWING METHODS, UNLESS THEY ARE COVERED BY AN EXTERIOR WALL COVERING COMPLYING WITH SECTION 707A.3:
 - ASSEMBLY OF SAWN LUMBER OR GLUE LAMINATED WOOD WITH THE SMALLEST MINIMUM NOMINAL DIMENSION OF 4 INCHES. SAWN OR GLUE-LAMINATED PLANKS SPLINED, TONGUE-AND-GROOVE, OR SET CLOSE TOGETHER AND WELL SPIKED.
 - LOG WALL CONSTRUCTION ASSEMBLY
 - ASSEMBLY THAT HAS BEEN TESTED IN ACCORDANCE WITH THE TEST PROCEDURES FOR A 10 MINUTE DIRECT FLAME CONTACT EXPOSURE SET FORTH IN ASTM E2707 WITH THE CONDITIONS OF ACCEPTANCE SHOWN IN SECTION 707A.4.1.
 - ASSEMBLY THAT MEET THE PERFORMANCE CRITERIA IN ACCORDANCE WITH THE TEST PROCEDURES FOR A TEN MINUTE DIRECT FLAME CONTACT EXPOSURE TEST SET FORTH IN SFM STANDARD 12-7A-1
 - ASSEMBLY SUITABLE FOR EXTERIOR FIRE EXPOSURE WITH A 1-HOUR FIRE RESISTANCE RATING, RATED FROM THE EXTERIOR SIDE, AS TESTED IN ACCORDANCE WITH ASTM E119 OR UL263
 - ASSEMBLY SUITABLE FOR EXTERIOR FIRE EXPOSURE CONTAINING ONE LAYER OF $\frac{5}{8}$ -INCH TYPE X GYPSUM SHEATHING APPLIED BEHIND THE EXTERIOR WALL COVERING OR CLADDING ON THE EXTERIOR SIDE OF THE FRAMING.
 - ASSEMBLY SUITABLE FOR EXTERIOR EXPOSURE CONTAINING ANY OF THE GYPSUM PANEL AND SHEATHING PRODUCTS LISTED IN THE GYPSUM ASSOCIATION FIRE RESISTANCE DESIGN MANUEL AS COMPLYING WITH A 1-HOUR FIRE-RESISTANCE RATING, AS TESTED IN ACCORDANCE WITH ASTM E119 OR UL 263
- 707A.5 OPEN ROOF EAVES. THE EXPOSED ROOF DECK ON THE UNDERSIDE OF ENCLOSED ROOF EAVES SHALL CONSIST OF ONE OR MORE OF THE FOLLOWING:
 - NON COMBUSTIBLE MATERIAL
 - IGNITION- RESISTANT MATERIAL. THE IGNITION-RESISTANT MATERIAL SHALL BE LABELED FOR EXTERIOR USE AND SHALL MEET THE REQUIREMENTS OF SECTION 704A.2
 - FIRE-RETARDANT-TREATED WOOD. THE FIRE-RETARDANT-TREATED WOOD SHALL BE LABELED FOR EXTERIOR USE AND SHALL MEET THE REQUIREMENTS OF SECTION 2303.2
 - MATERIALS APPROVED FOR NOT LESS THAN 1-HOUR FIRE-RESISTANCE-RATED CONSTRUCTION ON THE EXTERIOR SIDE, AS TESTED IN ACCORDANCE WITH ASTM E119 OR UL 263
 - ONE LAYER OF $\frac{5}{8}$ " TYPE X GYPSUM SHEATHING APPLIES BEHIND AN EXTERIOR COVERING ON THE UNDERSIDE EXTERIOR OF THE ROOF DECK.
 - THE EXTERIOR PORTION A 1- HOUR FIRE RESISTIVE EXTERIOR ASSEMBLY, APPLIES AS TESTED IN ACCORDANCE WITH ASTM E119 OR UL 263, APPLIED TO THE UNDERSIDE OF THE ROOF DECK DESIGNED FOR THE EXTERIOR FIRE EXPOSURE, INCLUDING ASSEMBLES USING THE GYPSUM PANEL AND SHEATHING PRODUCTS LISTED IN THE GYPSUM ASSOCIATION FIRE RESISTANCE DEIGN MANUAL.

EXCEPTION TO SECTION 707A.5: THE FOLLOWING MATERIALS DO NOT REQUIRE PROTECTION:
FASCIA AND OTHER ARCHITECTURAL TRIM BOARDS
- 707A.6 ENCLOSED ROOF EAVES AND ROOF EAVE SOFFITS. THE EXPOSED UNDERSIDE OF ENCLOSED ROOF EAVES HAVING EITHER A BOXED-IN ROOF EAVE SOFFIT WITH A HORIZONTAL UNDERSIDE, OR SLOPING RAFTER TAILS WITH AN EXTERIOR COVERING APPLIED TO THE UNDERSIDE OF THE RAFTER TAILS, SHALL BE PROTECTED BY ONE OR MORE OF THE FOLLOWING:
 - NONCOMBUSTIBLE MATERIAL
 - IGNITION- RESISTANT MATERIAL. THE IGNITION-RESISTANT MATERIAL SHALL BE LABELED FOR EXTERIOR USE AND SHALL MEET THE REQUIREMENTS OF SECTION 704A.2
 - FIRE-RETARDANT-TREATED WOOD. THE FIRE-RETARDANT TREATED WOOD SHALL BE LABELED FOR EXTERIOR USE AND SHALL MEET THE REQUIREMENTS OF SECTION 2303.2
 - MATERIALS APPROVED FOR NOT LESS THAN 1-HOUR FIRE-RESISTANCE-RATED CONSTRUCTION ON THE EXTERIOR SIDE, AS TESTED IN ACCORDANCE WITH ASTM E119 OR UL 263
 - ONE LAYER OF $\frac{5}{8}$ " TYPE X GYPSUM SHEATHING APPLIED BEHIND AN EXTERIOR COVERING ON THE UNDERSIDE OF FLOOR PROJECTION.
 - THE EXTERIOR PORTION A 1- HOUR FIRE RESISTIVE EXTERIOR ASSEMBLY, APPLIED TO THE UNDERSIDE OF THE RAFTER TAILS OR SOFFIT, INCLUDING ASSEMBLES USING THE GYPSUM PANEL AND SHEATHING PRODUCTS LISTED IN THE GYPSUM ASSOCIATION FIRE RESISTANCE DESIGN MANUAL
 - BOXED-IN ROOF EAVE SOFFIT ASSEMBLIES WITH A HORIZONTAL UNDERSIDE THAT MEET THE PERFORMANCE CRITERIA IN SECTION 707A.11 WHEN TESTED IN ACCORDANCE WITH THE TEST PROCEDURES SET FORTH IN ASTM E2957
 - BOXED-IN ROOF EAVE SOFFIT ASSEMBLIES WITH A HORIZONTAL UNDERSIDE THAT MEET THE PERFORMANCE CRITERIA IN SECTION 707A.11 WHEN TESTED IN ACCORDANCE WITH THE TEST PROCEDURES SET FORTH IN SFM STANDARD 12-7A-3

EXCEPTION TO SECTION 707A.6: THE FOLLOWING MATERIALS DO NOT REQUIRE PROTECTION:FASCIA AND OTHER ARCHITECTURAL TRIM BOARDS

- 707A.7 EXTERIOR PORCH CEILINGS. THE EXPOSED UNDERSIDE OF THE EXTERIOR PORCH CEILINGS SHALL BE PROTECTED BY ONE OF THE FOLLOWING:
 - NON COMBUSTIBLE MATERIAL
 - IGNITION- RESISTANT MATERIAL. THE IGNITION-RESISTANT MATERIAL SHALL BE LABELED FOR EXTERIOR USE AND SHALL MEET THE REQUIREMENTS OF SECTION 704A.2
 - FIRE-RETARDANT-TREATED WOOD. THE FIRE-RETARDANT TREATED WOOD SHALL BE LABELED FOR EXTERIOR USE AND SHALL MEET THE REQUIREMENTS OF SECTION 2303.2
 - MATERIALS APPROVED FOR NOT LESS THAN 1-HOUR FIRE-RESISTANCE-RATED CONSTRUCTION ON THE EXTERIOR SIDE, AS TESTED IN ACCORDANCE WITH ASTM E119 OR UL 263
 - ONE LAYER OF $\frac{5}{8}$ " TYPE X GYPSUM SHEATHING APPLIED BEHIND THE EXTERIOR COVERING OR CLADDING ON THE UNDERSIDE OF THE RAFTER TAILS OR SOFFIT.
 - THE EXTERIOR PORTION A 1- HOUR FIRE RESISTIVE EXTERIOR ASSEMBLY, AS TESTED IN ACCORDANCE WITH ASTM E119, APPLIED TO THE UNDERSIDE OF THE CEILING ASSEMBLY, INCLUDING ASSEMBLES USING THE GYPSUM PANEL AND SHEATHING PRODUCTS LISTED IN THE GYPSUM ASSOCIATION FIRE RESISTANCE DESIGN MANUAL
 - PORCH CEILING ASSEMBLIES WITH A HORIZONTAL UNDERSIDE THAT MEET THE PERFORMANCE CRITERIA IN ACCORDANCE WITH THE TEST PROCEDURES SET FORTH IN SFM STANDARD 12-7A-3

EXCEPTION TO SECTION 707A.7: ARCHITECTURAL TRIM BOARDS DO NOT REQUIRE PROTECTION
- 707A.8 FLOOR PROJECTIONS. THE EXPOSED UNDERSIDE OF A CANTILEVER FLOOR PROJECTION WHERE A FLOOR ASSEMBLY EXTENDS OVER AN EXTERIOR WALL SHALL BE PROTECTED BY ON OF THE FOLLOWING:
 - NONCOMBUSTIBLE MATERIAL
 - IGNITION- RESISTANT MATERIAL. THE IGNITION-RESISTANT MATERIAL SHALL BE LABELED FOR EXTERIOR USE AND SHALL MEET THE REQUIREMENTS OF SECTION 704A.2
 - FIRE-RETARDANT-TREATED WOOD. THE FIRE-RETARDANT TREATED WOOD SHALL BE LABELED FOR EXTERIOR USE AND SHALL MEET THE REQUIREMENTS OF SECTION 2303.2
 - MATERIALS APPROVED FOR NOT LESS THAN 1-HOUR FIRE-RESISTANCE-RATED CONSTRUCTION ON THE EXTERIOR SIDE, AS TESTED IN ACCORDANCE WITH ASTM E119 OR UL 263
 - ONE LAYER OF $\frac{5}{8}$ " TYPE X GYPSUM SHEATHING APPLIED BEHIND AN EXTERIOR COVERING ON THE UNDERSIDE EXTERIOR OF THE ROOF DECK.
 - THE EXTERIOR PORTION A 1- HOUR FIRE RESISTIVE EXTERIOR ASSEMBLY, APPLIES AS TESTED IN ACCORDANCE WITH ASTM E119, APPLIED TO THE UNDERSIDE OF THE CEILING ASSEMBLY, INCLUDING ASSEMBLES USING THE GYPSUM PANEL AND SHEATHING PRODUCTS LISTED IN THE GYPSUM ASSOCIATION FIRE RESISTANCE DESIGN MANUAL.
 - THE UNDERSIDE OF A FLOOR PROJECTIONS ASSEMBLY THAT MEETS THE PERFORMANCE CRITERIA IN SECTION 707A.10 WHEN TESTED IN ACCORDANCE WITH THE TEST PROCEDURES SET FORTH IN ASTM E2957.
 - THE UNDERSIDE OF A FLOOR PROJECTIONS ASSEMBLY THAT MEETS THE PERFORMANCE CRITERIA IN ACCORDANCE WITH THE TEST PROCEDURES SET FORTH IN THE SFM STD 12-7A-3.

EXCEPTION TO SECTION 707A.8: ARCHITECTURAL TRIM BOARDS DO NOT REQUIRE PROTECTION
- 707A.9 UNDERFLOOR PROTECTION. THE UNDERFLOOR AREA OF ELEVATED OR OVERHANGING BUILDINGS SHALL BE ENCLOSED TO GRADE IN ACCORDANCE WITH THE REQUIREMENTS OF THIS CHAPTER OR THE UNDERSIDE OF THE EXPOSED UNDERFLOOR SHALL BE PROTECTED BY ONE OR MORE OF THE FOLLOWING:
 - NONCOMBUSTIBLE MATERIAL
 - IGNITION- RESISTANT MATERIAL. THE IGNITION-RESISTANT MATERIAL SHALL BE LABELED FOR EXTERIOR USE AND SHALL MEET THE REQUIREMENTS OF SECTION 704A.2
 - FIRE-RETARDANT-TREATED WOOD. THE FIRE-RETARDANT TREATED WOOD SHALL BE LABELED FOR EXTERIOR USE AND SHALL MEET THE REQUIREMENTS OF SECTION 2303.2
 - MATERIALS APPROVED FOR NOT LESS THAN 1-HOUR FIRE-RESISTANCE-RATED CONSTRUCTION ON THE EXTERIOR SIDE, AS TESTED IN ACCORDANCE WITH ASTM E119 OR UL 263
 - ONE LAYER OF $\frac{5}{8}$ " TYPE X GYPSUM SHEATHING APPLIED BEHIND AN EXTERIOR COVERING ON THE UNDERSIDE OF THE FLOOR PROJECTION
 - THE EXTERIOR PORTION A 1- HOUR FIRE RESISTIVE EXTERIOR ASSEMBLY, APPLIED TO THE UNDERSIDE OF THE RAFTER TAILS OR SOFFIT, INCLUDING ASSEMBLES USING THE GYPSUM PANEL AND SHEATHING PRODUCTS LISTED IN THE GYPSUM ASSOCIATION FIRE RESISTANCE DESIGN MANUAL
 - THE UNDERSIDE OF A FLOOR ASSEMBLY THAT MEETS THE PERFORMANCE CRITERIA IN SECTION 707A.11 WHEN TESTED IN ACCORDANCE WITH THE TEST PROCEDURES SET FORTH IN ASTM E2957
 - THE UNDERSIDE OF A FLOOR ASSEMBLY THAT MEETS THE PERFORMANCE CRITERIA IN ACCORDANCE WITH THE TEST PROCEDURES SET FORTH IN SFM STANDARD 12-7A-3.

EXCEPTION TO SECTION 707A.9: STRUCTURAL COLUMNS AND BEAMS DO NOT REQUIRE PROTECTION WHEN CONSTRUCTED WITH SAWN LUMBER OR GLUE-LAMINATED WOOD WITH THE SMALLEST MINIMUM NOMINAL DIMENSION OF 4 INCHES. SAWN OR GLUE-LAMINATED PLANKS SHALL BE SPLINED, TONGUE-AND-GROOVE, OR SET CLOSE TOGETHER AND WELL SPIKED.

- 707A.10 UNDERSIDE OF APPENDAGES. WHEN REQUIRED BY THE ENFORCING AGENCY THE UNDERSIDE OF OVERHANGING APPENDAGES SHALL BE ENCLOSED TO GRADE IN ACCORDANCE WITH THE REQUIREMENTS OF THIS CHAPTER OR THE UNDERSIDE OF THE EXPOSED UNDER FLOOR SHALL CONSIST OF ONE OF THE FOLLOWING:
 - NONCOMBUSTIBLE MATERIAL
 - IGNITION- RESISTANT MATERIAL. THE IGNITION-RESISTANT MATERIAL SHALL BE LABELED FOR EXTERIOR USE AND SHALL MEET THE REQUIREMENTS OF SECTION 704A.2
 - FIRE-RETARDANT-TREATED WOOD. THE FIRE-RETARDANT TREATED WOOD SHALL BE LABELED FOR EXTERIOR USE AND SHALL MEET THE REQUIREMENTS OF SECTION 2303.2
 - MATERIALS APPROVED FOR NOT LESS THAN 1-HOUR FIRE-RESISTANCE-RATED CONSTRUCTION ON THE EXTERIOR SIDE, AS TESTED IN ACCORDANCE WITH ASTM E119 OR UL 263
 - ONE LAYER OF $\frac{5}{8}$ " TYPE X GYPSUM SHEATHING APPLIED BEHIND THE EXTERIOR COVERING ON THE UNDERSIDE OF THE APPENDAGE PROJECTION
 - THE EXTERIOR PORTION A 1- HOUR FIRE RESISTIVE EXTERIOR ASSEMBLY, AS TESTED IN ACCORDANCE WITH ASTM E119 OR UL 263, APPLIED TO THE UNDERSIDE OF THE APPENDAGE, INCLUDING ASSEMBLES USING THE GYPSUM PANEL AND SHEATHING PRODUCTS LISTED IN THE GYPSUM ASSOCIATION FIRE RESISTANCE DESIGN MANUAL.
 - THE UNDERSIDE OF AN APPENDAGE ASSEMBLY THAT MEETS THE PERFORMANCE CRITERIA IN SECTION 707A.11 WHEN TESTED IN ACCORDANCE WITH THE TEST PROCEDURES SET FORTH IN ASTM E2957.
 - THE UNDERSIDE OF AN APPENDAGE ASSEMBLY THAT MEETS THE PERFORMANCE CRITERIA IN ACCORDANCE WITH THE TEST PROCEDURES SET FORTH IN SFM STANDARD 12-7A-3.

EXCEPTION TO SECTION 707A.10: STRUCTURAL COLUMNS AND BEAMS DO NOT REQUIRE PROTECTION WHEN CONSTRUCTED WITH SAWN LUMBER OR GLUE-LAMINATED WOOD WITH THE SMALLEST MINIMUM NOMINAL DIMENSION OF 4 INCHES. SAWN OR GLUE-LAMINATED PLANKS SHALL BE SPLINED, TONGUE-AND-GROOVE, OR SET CLOSE TOGETHER AND WELL SPIKED
- 708A.2 EXTERIOR GLAZING. THE FOLLOWING EXTERIOR GLAZING MATERIALS AND/OR ASSEMBLIES SHALL COMPLY WITH THIS SECTION:
 - EXTERIOR WINDOWS
 - EXTERIOR GLAZED DOORS
 - GLAZED OPENINGS WITHIN EXTERIOR DOORS
 - GLAZED OPENINGS WITHIN EXTERIOR GARAGE DOORS
 - EXTERIOR STRUCTURAL GLASS VENEERS
 - SKYLIGHTS
 - VENTS
- 708A.2.1 EXTERIOR WINDOWS AND EXTERIOR GLAZED DOOR ASSEMBLY REQUIREMENTS:
 - BE CONSTRUCTED OF MULTI-PANE GLAZING WITH A MINIMUM OF ONE TEMPERED PANE MEETING THE REQUIREMENTS OF SECTION 2406 SAFETY GLAZING, OR
 - BE CONSTRUCTED OF GLASS BLOCK UNITS, OR
 - HAVE A FIRE-RESISTANT RATING OF NOT LESS THAN 20 MINUTES WHEN TESTED IN ACCORDANCE TO NFPA 257, OR
 - BE TESTED TO MEET THE PERFORMANCE REQUIREMENTS OF SFM STANDARD 12-7A-2.
- 708A.3 EXTERIOR DOORS. EXTERIOR DOORS SHALL COMPLY WITH ONE OF THE FOLLOWING:
 - THE EXTERIOR SURFACE OR CLADDING SHALL BE OF NON-COMBUSTIBLE OR IGNITION-RESISTANT MATERIAL
 - THE EXTERIOR SURFACE OR CLADDING SHALL BE IGNITION RESISTANT MATERIAL
 - TEH EXTERIOR DOOR SHALL BE CONSTRUCTED OF SOLID CORE WOOD THAT COMPLY WITH THE FOLLOWING REQUIREMENTS:
 - STILES AND RAILS SHALL NOT BE LESS THAN 1-3/8" THICK.
 - RAISED PANELS SHALL NOT BE LESS THAN 1-1/4" THICK. EXCEPT FOR THE EXTERIOR PERIMETER OF THE PANEL THAT SHALL BE PERMITTED TO TAPER TO A TONGUE NOT LESS THAN $\frac{3}{8}$ " THICK.
 - THE EXTERIOR DOOR SHALL HAVE A FIRE-RESISTANCE RATING OF NOT LESS THAN 20 MINUTES WHEN TESTED ACCORDING TO THE NFPA 252.
 - THE EXTERIOR SURFACE OR CLADDING SHALL BE TESTED TO MEET THE PERFORMANCE IN SECTION 707A.3.1 WHEN TESTED IN ACCORDANCE WITH ASTM E2707.
 - THE EXTERIOR SURFACE OR CLADDING SHALL BE TESTED TO MEET THE PERFORMANCE REQUIREMENTS OF SFM STANDARD 12-7A-1.
- 708A.3.1 EXTERIOR DOOR GLAZING. GLAZING IN EXTERIOR DOORS SHALL COMPLY WITH SECTION 708A2.1.
- R337.8.4 GARAGE DOOR PERIMETER GAP MAXIMUM 1/8". METAL FLASHING, JAMB AND HEADER OVERLAP, AND WEATHER-STRIPPING MEETING SECTION REQUIREMENTS ARE PERMITTED. (R337.8.4)
- R337.9.2 THE WALKING SURFACE MATERIAL OF DECKS, PORCHES, BALCONIES AND STAIRS WITHIN 10FT OF BUILDING SHALL BE IGNITION RESISTANT MATERIAL. EXTERIOR FIRE-RETARDANT TREATED WOOD OR NONCOMBUSTIBLE MATERIAL. SEE CODE SECTION CRC R337.9.2

FIRE SPRINKLER NOTES

- IF FIRE SPRINKLERS ARE REQUIRED AT PROPOSED DWELLING OR ADU THEN THE FOLLOWING NOTES APPLY.
- AUTOMATIC FIRE SPRINKLER SYSTEM - AN AUTOMATIC FIRE SPRINKLER SYSTEM SHALL BE INSTALLED AS PER NFPA 13D THE MOST CURRENT EDITION. DETAILED SPRINKLER PLANS SHALL BE SUBMITTED TO THE FIRE PREVENTION BUREAU AND APPROVED PRIOR TO INSTALLATION. PLANS AND INSTALLATION MUST BE BY A C16 LICENSED SPRINKLER CONTRACTOR.
- SECTION R313.2.1 AN AUTOMATIC SPRINKLER SYSTEM DESIGNED AND INSTALLED IN ACCORDANCE WITH SECTION R313.3 OR NFPA-13D.

OSFM LISTED WILDLAND URBAN INTERFACE (WUI) PRODUCTS AND ASSEMBLIES

THIS IS NOT AN ALL-INCLUDING LIST. FOR ADDITIONAL/ ALTERNATIVE WUI SFM APPROVED PRODUCTS,VISIT:
<https://osfm.fire.ca.gov/media/2s4jeyr/2023-sfm-wui-listed-products-handbook-8-7-23.pdf>

ROOF
Non-Wood Roof Covering/Assemblies for WUI (ASTM E 108, SFM Listing Category 8180)

LISTING No. 8180-2299:0501
CATEGORY: 8180 – NON-WOOD ROOF COVERING/ASSEMBLIES FOR WILDLAND URBAN INTERFACE (W.U.I)
LISTEE: Metal Sales Manufacturing Corporation
545 South 3rd Street, Suite 200, Louisville, KY 40202
Contact: David Stermer (502) 855-4342 Fax (502) 855-4242
Email: dstermer@metalsales.us.com
Metal Sales Image II™ 16" wide 26 GA Standing Seam Metal Roof System
Deck: 5/12 Slope
Nominal 7/16" OSB sheathing. Max. 1/8" gap in all joints fastened with 2" nails, 8" OC spacing. Nominal 1/2" Densdeck installed per manufacturer's instructions for joints (staggered from sheathing) fastened with 8 -2" nails per 4'x8" sheet.
Underlayment: Titanium UDL 30® stapled to face with 3" overlap.
Roof Covering: Metal Sales Image II™ 16" wide 26 GA Standing Seam Metal Roof System with rib/joint placed 6" from OSB joint fastened with #10-12 (1") pancake head wood screws in the nail strip. Refer to listee's data sheet for additional detailed product description.
RATING: Class A

VENTS
(ASTM E 2886/2886M, E 2912, SFM Listing Category 8165)

LISTING No. 8165-2192:0500
CATEGORY: 8165 – VENTS FOR WILDLAND URBAN INTERFACE (W.U.I.)
LISTEE: Vulcan Technologies 8 Commercial Blvd, Suite E, Novato, CA 94949
Contact: Larry Dumm (916) 626-2400 Fax (916) 647-0477
Email: Larry@newcalmetals.com
DESIGN: Models VER2, VER2M, VER3, VER3M, VER4, VER4M, and VER6M Vulcan Eave Round Vents. Products are in sizes 2", 3", 4", or 6" diameter opening with a 1/4" flange, and a depth of 3/4". The vents are manufactured out of 0.020" aluminum incorporating a 5mm hexagonal aluminum matrix core made of 0.05mm aluminum foil with an intumescent coating underneath the louver cap. Models with "M" contain a stainless steel, type 304 vane, 1/16" opening mesh screen, installed between the louvers and the honeycomb core. Refer to manufacturer's installation instructions and product data sheets.
RATING: Tested in accordance with ASTM E2886

UNDER EAVE
(SFM Standard 12-7A-3, SFM Listing Category 8160)

LISTING No. 8160-2026:0006
CATEGORY: 8160 – UNDER EAVE FOR WILDLAND URBAN INTERFACE (W.U.I)
LISTEE: JAMES HARDIE BUILDING PRODUCTS, INC.
10901 Elm Avenue, Fontana, CA 92337
Contact: Rathisha Sabaratnam (909) 641-0498 Fax (909) 427-0634
Email: rathisha.sabaratanam@hresearchusa.com
DESIGN: "CemSoffit®" un-vented, fiber-cement soffit, 3/16" thick and ¼" thick, under eave material. Refer to the manufacturer's installation instructions and product data sheets.
RATING: Noncombustible

EXTERIOR WALL SIDING
(SFM Standard 12-7A-1, SFM Listing Category 8140)

CATEGORY: 8140 – EXTERIOR WALL SIDING AND SHEATHING FOR WILDLAND URBAN INTERFACE (W.U.I)
JAMES HARDIE BUILDING PRODUCTS, INC.
10901 Elm Avenue, Fontana, CA 92337
Contact: Rathisha Sabaratnam (909) 641-0498 Fax (909) 427-0634
Email: rathisha.sabaratanam@hresearchusa.com

LISTING No. 8140-2026:0001
DESIGN: "Artisan®" lap siding, fiber-cement, 5/8" thick. Refer to the manufacturer's installation instructions and product data sheets.

BY USING THESE PERMIT READY CONSTRUCTION DOCUMENTS, THE RECIPIENT ACKNOWLEDGES, ACCEPTS AND VOLUNTARILY AFFIRMS THE FOLLOWING CONDITIONS:
1. THE USE OF THIS INFORMATION IS RESTRICTED TO THE ORIGINAL PROJECT FOR WHICH IT WAS PREPARED FOR THE PERMIT READY ACCESSORY DWELLING UNIT (ADU) PROGRAM FOR THE COUNTY OF INYO ONLY. THIS IS A LIMITED SET OF STANDARDIZED ADU PLANS AND SPECIFICATIONS APPROVED BY THE COUNTY OF INYO BUILDING DEPARTMENT. BUILDING CODES DO CHANGE OVER TIME AND RECIPIENT SHALL ENSURE FULL COMPLIANCE UNDER ALL CODES THEN IN EFFECT AT THE TIME OF THE SUBJECT PERMIT. THIS DOES NOT ELIMINATE OR REDUCE THE RECIPIENT'S RESPONSIBILITY TO VERIFY ANY AND ALL INFORMATION RELEVANT TO THE RECIPIENT'S WORK AND RESPONSIBILITY ON THIS PROJECT. DESIGN PATH STUDIO SHALL NOT BE RESPONSIBLE FOR TRANSLATION ERRORS. DO NOT USE THESE CONSTRUCTION DOCUMENTS IF THE PERMIT HAS EXPIRED OR IS REVOKED AT ALL.
2. THE RECIPIENT RECOGNIZES AND ACKNOWLEDGES THAT THE USE OF THIS INFORMATION WILL BE AT THEIR SOLE RISK AND WITHOUT ANY LIABILITY OR LEGAL RECOURSE TO DESIGN PATH STUDIO. NO WARRANTIES OF ANY NATURE, WHETHER EXPRESS OR IMPLIED, SHALL ATTACH TO THESE DOCUMENTS AND THE INFORMATION CONTAINED THEREON. ANY USE, REUSE, OR ALTERATION OF THESE DOCUMENTS BY THE RECIPIENT OR BY OTHERS WILL BE AT THE RECIPIENT'S RISK AND FULL LEGAL RESPONSIBILITY. FURTHERMORE, THE RECIPIENT WILL, TO THE FULLEST EXTENT PERMITTED BY LAW, DEFEND, INDEMNIFY AND HOLD DESIGN PATH STUDIO AND ITS ARCHITECTS HARMLESS FROM ANY AND ALL CLAIMS, SUITS, LIABILITY, DEMANDS, JUDGMENTS, OR COSTS ARISING OUT OF OR RESULTING THERE FROM ANY USE OF THESE CONSTRUCTION DOCUMENTS FOR OR ON ACCOUNT OF ANY INJURY, DEATH, DAMAGE OR LOSS TO PERSONS OR PROPERTY, DIRECT OR CONSEQUENTIAL DAMAGES IN ANY AMOUNT. THIS INDEMNITY DOES NOT APPLY TO THE SOLE NEGLIGENCE OR WILLFUL MISCONDUCT OF DESIGN PATH STUDIO OR ITS ARCHITECTS.
3. THE DESIGNS REPRESENTED BY THESE PLANS ARE COPYRIGHTED AND ARE SUBJECT TO COPYRIGHT PROTECTION.
4. IF THE RECIPIENT DOES NOT AGREE WITH THE ABOVE CONDITIONS, DO NOT PROCEED WITH CONSTRUCTION OF AN ADU OR OTHER IMPROVEMENT UNDER THESE PLANS AT ALL.

	GENERAL NOTES	FIRE SPRINKLER NOTES
	<p>1. THE ENTIRE ROOF COVERING OF EVERY NEW STRUCTURE SHALL BE A MINIMUM CLASS "A" ROOF COVERING.</p> <p>2. (EXISTING) ANY ROOF COVERING MATERIAL APPLIED IN THE ALTERATION, REPAIR OR REPLACEMENT OF THE ROOF OF THE EXISTING STRUCTURE SHALL BE A MINIMUM OF A CLASS "A" ROOF COVERING. THE ENTIRE ROOF COVERING OF EVERY EXISTING STRUCTURE WHERE MORE THAN 50 PERCENT OF THE TOTAL ROOF AREA IS REPLACED WITHIN A ONE-YEAR PERIOD SHALL BE A MINIMUM OF A CLASS "A" ROOF COVERING.</p> <p>3. ONE EXTERIOR APPROVED AUDIBLE SPRINKLER WATER FLOW ALARM DEVICE SHALL BE CONNECTED TO EVERY AUTOMATIC FIRE SPRINKLER SYSTEM IN AN APPROVED LOCATION. SUCH DEVICE SHALL BE ACTIVATED BY WATER FLOW EQUIVALENT TO THE FLOW OF A SINGLE SPRINKLER OF THE SMALLEST ORIFICE SIZE INSTALLED IN THE SYSTEM.</p> <p>4. FOR THE PURPOSES OF ENFORCING THE PROVISIONS OF THE CALIFORNIA FIRE CODE, CALIFORNIA BUILDING CODE, AND THE CALIFORNIA RESIDENTIAL BUILDING CODE, ANY WORK, ADDITION TO, REMODEL, REPAIR, RENOVATION, OR ALTERATION OF ANY BUILDING(S) OR STRUCTURE(S) SHALL BE CONSIDERED "NEW CONSTRUCTION" WHEN 50 PERCENT OR MORE OF THE EXTERIOR WEIGHT BEARING WALLS ARE REMOVED OR DEMOLISHED.</p> <p>5. (SLOPES) BERMS, SWALES OR OTHER DEVICES SHALL BE PROVIDED AT THE TOP OF CUT OR FILL SLOPES TO PREVENT SURFACE WATERS FROM OVERFLOWING ONTO AND DAMAGING THE FACE OF THE SLOPE. GUTTERS OR OTHER SPECIAL DRAINAGE CONTROLS SHALL BE PROVIDED WHERE THE PROXIMITY OF RUNOFF FROM BUILDINGS OR OTHER STRUCTURES IS SUCH AS TO POSE A POTENTIAL HAZARD TO SLOPE INTEGRITY.</p> <p>6. BUILDINGS OF AN ACCESSORY CHARACTER CLASSIFIED AS GROUP U OCCUPANCY AND NOT EXCEEDING 120 SQUARE FEET IN FLOOR AREA, WHEN LOCATED AT LEAST 50 FEET FROM AN APPLICABLE BUILDING (AS WRITTEN IN CURRENT CODE).</p> <p>7. BUILDINGS OF AN ACCESSORY CHARACTER CLASSIFIED AS GROUP U OCCUPANCY EXCEEDING 120 SQUARE FEET IN SIZE, BASED ON THE EXTERIOR MEASUREMENTS OF THE STRUCTURE, SHALL COMPLY WITH SECTION R337 AND WILDLAND URBAN INTERFACE REQUIREMENTS.</p> <p>8. ROOF GUTTERS OF A NON-COMBUSTIBLE MATERIAL SHALL BE PROVIDED WITH MEANS OF PREVENTING ACCUMULATION OF LEAVES AND DEBRIS IN THE GUTTER.</p> <p>9. DEFENSIBLE SPACE/HAZARDOUS FUELS REDUCTION REQUIREMENTS MAINTAIN IMMEDIATELY AROUND AND ADJACENT TO ANY BUILDING OR STRUCTURE FREE OF COMBUSTIBLE MATERIALS SUCH AS FIREWOOD, LUMBER AND RUBBISH. COMBUSTIBLE MATERIALS SHALL NOT BE STORED UNDER DECKS AND THE AREA UNDER DECKS SHALL BE MAINTAINED TO BE FREE OF VEGETATIVE MATERIAL. DECKS OR PORCHES FOUR (4) FEET OR LESS ABOVE THE GRADE SHALL BE FULLY ENCLOSED TO REDUCE THE ACCUMULATION OF DEBRIS WITH NONCOMBUSTIBLE WALL MATERIAL. NONCOMBUSTIBLE, CORROSION-RESISTANT MESH MATERIAL WITH OPENINGS NOT TO EXCEED 1/8" INCH MAY BE USED. FENCING MATERIAL CONSTRUCTED OF COMBUSTIBLE MATERIAL MUST REMAIN 5 FEET AWAY FROM ANY BUILDING OR STRUCTURE. ONLY NONCOMBUSTIBLE MATERIAL SHALL BE ALLOWED WITHIN FIVE (5) FEET OF ANY BUILDING OR STRUCTURE. NO VEGETATION SHALL EXIST WITHIN OR OVERHANG WITHIN 5 FT OF THE STRUCTURE. ANY OVERHANGING LIMBS OR BRANCHES SHALL BE REMOVED. ALL EXTERIOR WALLS SHALL HAVE A SIX-INCH NONCOMBUSTIBLE VERTICAL CLEARANCE FROM GRADE. ALL UNATTACHED ACCESSORY STRUCTURES AND OUTBUILDINGS SHALL BE A MINIMUM OF TEN (10) FEET AWAY FROM THE PRIMARY DWELLING. CLEAN ROOFS AND GUTTERS OF DEAD LEAVES, DEBRIS AND PINE NEEDLES. IN ADDITION TO THE MANAGEMENT OF COMBUSTIBLE MATERIAL AROUND A STRUCTURE OR BUILDING THE FOLLOWING SHALL BE ACCOMPLISHED: 1) REPLACE OR REPAIR ANY LOOSE OR MISSING SHINGLES OR ROOF TILES TO PREVENT EMBER PENETRATION. 2) PROVIDE AND MAINTAIN A SCREEN OVER THE OUTLET OF EVERY CHIMNEY OR STOVEPIPE THAT IS ATTACHED TO ANY FIREPLACE, STOVE, OR OTHER DEVICE THAT BURNS ANY SOLID OR LIQUID FUEL. THE SCREEN SHALL BE CONSTRUCTED OF NONFLAMMABLE MATERIAL WITH OPENINGS OF NOT MORE THAN 1/2 INCH.</p>	<p>1. IF FIRE SPRINKLERS ARE REQUIRED AT PROPOSED ADU/SFD THEN THE FOLLOWING NOTES APPLY.</p> <p>2. AUTOMATIC FIRE SPRINKLER SYSTEM - AN AUTOMATIC FIRE SPRINKLER SYSTEM SHALL BE INSTALLED AS PER NFPA 13D OR 13R THE MOST CURRENT EDITION. DETAILED SPRINKLER PLANS SHALL BE SUBMITTED TO THE BUILDING DEPARTMENT AND APPROVED PRIOR TO INSTALLATION.</p> <p>3. SECTION 903.2.1 GROUP R AN AUTOMATIC SPRINKLER SYSTEM INSTALLED IN ACCORDANCE WITH SECTION 903.3 SHALL BE PROVIDED THROUGHOUT ALL BUILDINGS WITH A GROUP R FIRE AREA. THIS INCLUDES SINGLE FAMILY DWELLINGS, MULTI-FAMILY DWELLINGS AND ALL RESIDENTIAL CARE FACILITIES REGARDLESS OF OCCUPANT LOAD.</p> <p>4. SECTION 903.2.1.1 ADDITIONS AN AUTOMATIC SPRINKLER SYSTEM INSTALLED IN ACCORDANCE WITH 903.3 MAY BE REQUIRED TO BE INSTALLED THROUGHOUT STRUCTURES WHEN THE ADDITION IS MORE THAN 50% OF THE EXISTING BUILDING OR WHEN THE ALTERED BUILDING WILL EXCEED A FIRE FLOW OF 1,500 GALLONS PER MINUTE AS CALCULATED PER SECTION 507.3. THE FIRE CODE OFFICIAL MAY REQUIRE AN AUTOMATIC SPRINKLER SYSTEM BE INSTALLED IN BUILDINGS WHERE NO WATER MAIN EXISTS TO PROVIDE THE REQUIRED FIRE FLOW OR WHERE A SPECIAL HAZARD EXISTS SUCH AS: POOR ACCESS ROADS, GRADE, BLUFFS AND CANYON RIMS, HAZARDOUS BRUSH AND RESPONSE TIMES GREATER THAN 5 MINUTES BY A FIRE DEPARTMENT.</p> <p>5. SECTION 903.2.1.2 REMODELS OR RECONSTRUCTION AN AUTOMATIC SPRINKLER SYSTEM INSTALLED IN ACCORDANCE WITH SECTION 903.3 MAY BE REQUIRED IF THE SCOPE OF WORK INCLUDES SIGNIFICANT MODIFICATION TO THE INTERIOR AND/OR ROOF OF THE BUILDING, AND THE COST OF THE INSTALLATION DOES NOT EXCEED 15 PERCENT OF THE CONSTRUCTION COSTS OF THE REMODEL.</p> <p>6. LOCATION AND SIZE OF WATER SERVICE UNDERGROUND SHALL BE INSTALLED AS SHOWN ON APPROVED FIRE SPRINKLER PLANS. A MINIMUM 1 INCH WATER SHALL BE INSTALLED.</p> <p>7. A FIRE UNDERGROUND FLUSH CERTIFICATION SHALL BE REQUIRED AT FINAL INSPECTION.</p> <p>8. A HYDRO INSPECTION OF THE FIRE SPRINKLER SYSTEM IS REQUIRED PRIOR TO FRAME INSPECTION. ONLY THE NEW PIPING SHALL BE TESTED.</p>
		<p>WILDLAND URBAN INTERFACE (WUI) NOTES</p>
		<p>1. EXTERIOR WALL COVERINGS SHALL BE NONCOMBUSTIBLE, IGNITION RESISTANT, HEAVY TIMBER, LOG WALL OR FIRE RESISTIVE CONSTRUCTION. (CRC R337.7)</p> <p>2. EXTERIOR WALL COVERINGS SHALL EXTEND FROM THE FOUNDATION TO THE ROOF AND TERMINATE AT 2-INCH NOMINAL SOLID BLOCKING BETWEEN RAFTERS AND OVERHANGS. (CRC R337.7.3.1)</p> <p>3. OPEN/ENCLOSED ROOF EAVES AND SOFFITS, EXTERIOR PORCH CEILINGS, FLOOR PROJECTIONS, UNDER-FLOOR AREAS AND UNDERSIDES OF APPENDAGES TO COMPLY WITH IGNITION RESISTANT CONSTRUCTION REQUIREMENTS. (CRC R337.5-9)</p> <p>4. SPACES CREATED BETWEEN ROOF COVERINGS AND ROOF DECKING SHALL BE FIRE STOPPED BY APPROVED MATERIALS OR HAVE ONE LAYER OF MINIMUM 72LB MINERAL SURFACED NON-PERFORATED CAP SHEET COMPLYING WITH ASTM D 3909. (CRC R337.5.2)</p> <p>5. INDICATE ON THE PLANS WHERE VALLEY FLASHING IS INSTALLED. THE FLASHING SHALL BE NOT LESS THAN 26AWG AND INSTALLED OVER NOT LESS THAN ONE LAYER OF MINIMUM 72LB MINERAL SURFACED NON-PERFORATED CAP SHEET COMPLYING WITH ASTM D 3909 AND AT LEAST 36 INCHES WIDE RUNNING THE FULL LENGTH. (CRC R337.5.3)</p> <p>6. ALL VENTILATION OPENINGS FOR ENCLOSED ATTICS, ENCLOSED EAVE SOFFIT SPACES, ENCLOSED RAFTER SPACES FORMED WHERE CEILINGS ARE APPLIED DIRECTLY TO THE UNDERSIDE OF ROOF RAFTERS, AND UNDERFLOOR VENTILATION OPENINGS SHALL BE FULLY COVERED WITH WILDLAND FLAME AND EMBER RESISTANT (WUI) VENTS APPROVED AND LISTED BY THE CALIFORNIA STATE FIRE MARSHAL, OR WUI VENTS LISTED TO ASTM E2886. (CRC R337.6)</p> <p>7. INDICATE ON PLANS EXTERIOR GLAZING SHALL HAVE A MINIMUM OF ONE-TEMPERED PANE, GLASS BLOCK, HAVE A FIRE RESISTIVE RATING OF 20 MINUTES OR BE TESTED TO MEET PERFORMANCE REQUIREMENTS OF SFM STANDARD 12-7A-2. (CRC R337.8.2.1)</p> <p>8. OPERABLE SKYLIGHTS SHALL BE PROTECTED BY A NONCOMBUSTIBLE MESH SCREEN 1/8" MAX OPENINGS (R337.8.2.2)</p> <p>9. EXTERIOR DOORS INCLUDING GARAGE DOORS SHALL BE NONCOMBUSTIBLE, IGNITION RESISTANT MATERIAL. MINIMUM 1 3/8 INCH SOLID CORE, MINIMUM 20 MINUTE FIRE RESISTIVE RATING OR SHALL BE TESTED TO MEET THE PERFORMANCE REQUIREMENTS OF SFM STANDARD 12-7A-1. (CRC R337.8.3)</p> <p>10. GARAGE DOOR PERIMETER GAP MAXIMUM 1/8". METAL FLASHING, JAMB AND HEADER OVERLAP, AND WEATHER-STRIPPING MEETING SECTION REQUIREMENTS ARE PERMITTED. (R337.8.4)</p> <p>11. THE WALKING SURFACE MATERIAL OF DECKS, PORCHES, BALCONIES AND STAIRS WITHIN 10FT OF GRADE LEVEL SHALL BE IGNITION RESISTANT MATERIAL, EXTERIOR FIRE-RETARDANT TREATED WOOD OR NONCOMBUSTIBLE MATERIAL. (CRC R337.9.2)</p> <p>12. ROOF GUTTERS SHALL COMPLY WITH 2022 CRC R337.5.4. ROOF GUTTERS SHALL BE PROVIDE WITH THE MEANS TO PREVENT THE ACCUMULATION OF LEAVES AND DEBRIS IN THE GUTTER</p>

BY USING THESE PERMIT READY CONSTRUCTION DOCUMENTS, THE RECIPIENT ACKNOWLEDGES, ACCEPTS AND VOLUNTARILY AFFIRMS THE FOLLOWING CONDITIONS:

1. THE USE OF THIS INFORMATION IS RESTRICTED TO THE ORIGINAL PROJECT FOR WHICH IT WAS PREPARED FOR THE PERMIT READY ACCESSORY DWELLING UNIT (ADU) PROGRAM FOR THE COUNTY OF INYO ONLY. THIS IS A LIMITED SET OF STANDARDIZED ADU PLANS AND SPECIFICATIONS APPROVED BY THE COUNTY OF INYO BUILDING DEPARTMENT. BUILDING CODES DO CHANGE OVER TIME AND RECIPIENT SHALL ENSURE FULL COMPLIANCE UNDER ALL CODES THEN IN EFFECT AT THE TIME OF THE SUBJECT PERMIT. THIS DOES NOT ELIMINATE OR REDUCE THE RECIPIENT'S RESPONSIBILITY TO VERIFY ANY AND ALL INFORMATION RELEVANT TO THE RECIPIENT'S WORK AND RESPONSIBILITY ON THIS PROJECT. DESIGN PATH STUDIO SHALL NOT BE RESPONSIBLE FOR TRANSLATION ERRORS; DO NOT USE THESE CONSTRUCTION DOCUMENTS IF THE PERMIT HAS EXPIRED OR IS REVOKED AT ALL.

2. THE RECIPIENT RECOGNIZES AND ACKNOWLEDGES THAT THE USE OF THIS INFORMATION WILL BE AT THEIR SOLE RISK AND WITHOUT ANY LIABILITY OR LEGAL EXPOSURE TO DESIGN PATH STUDIO. NO WARRANTIES OF ANY NATURE, WHETHER EXPRESS OR IMPLIED, SHALL ATTACH TO THESE DOCUMENTS AND THE INFORMATION CONTAINED THEREON. ANY USE, REUSE, OR ALTERATION OF THESE DOCUMENTS BY THE RECIPIENT OR BY OTHERS WILL BE AT THE RECIPIENT'S RISK AND FULL LEGAL RESPONSIBILITY. FURTHERMORE, THE RECIPIENT WILL, TO THE FULLEST EXTENT PERMITTED BY LAW, DEFEND, INDEMNIFY AND HOLD DESIGN PATH STUDIO AND ITS ARCHITECTS HARMLESS FROM ANY AND ALL CLAIMS, SUITS, LIABILITY, DEMANDS, JUDGMENTS, OR COSTS ARISING OUT OF OR RESULTING THERE FROM ANY USE OF THESE CONSTRUCTION DOCUMENTS FOR OR ON ACCOUNT OF ANY INJURY, DEATH, DAMAGE OR LOSS TO PERSONS OR PROPERTY, DIRECT OR CONSEQUENTIAL DAMAGES IN ANY AMOUNT. THIS INDEMNITY DOES NOT APPLY TO THE SOLE NEGLIGENCE OR WILLFUL MISCONDUCT OF DESIGN PATH STUDIO OR ITS ARCHITECTS.

3. THE DESIGNS REPRESENTED BY THESE PLANS ARE COPYRIGHTED AND ARE SUBJECT TO COPYRIGHT PROTECTION.

4. IF THE RECIPIENT DOES NOT AGREE WITH THE ABOVE CONDITIONS, DO NOT PROCEED WITH CONSTRUCTION OF AN ADU OR OTHER IMPROVEMENT UNDER THESE PLANS AT ALL.

project

**County of Inyo
Pre-Approved
ADU/SFD Program**

revisions

△
△
△
△
△

description

**General
Notes**

date 2024

project no. INYO COUNTY ADU/SFDS

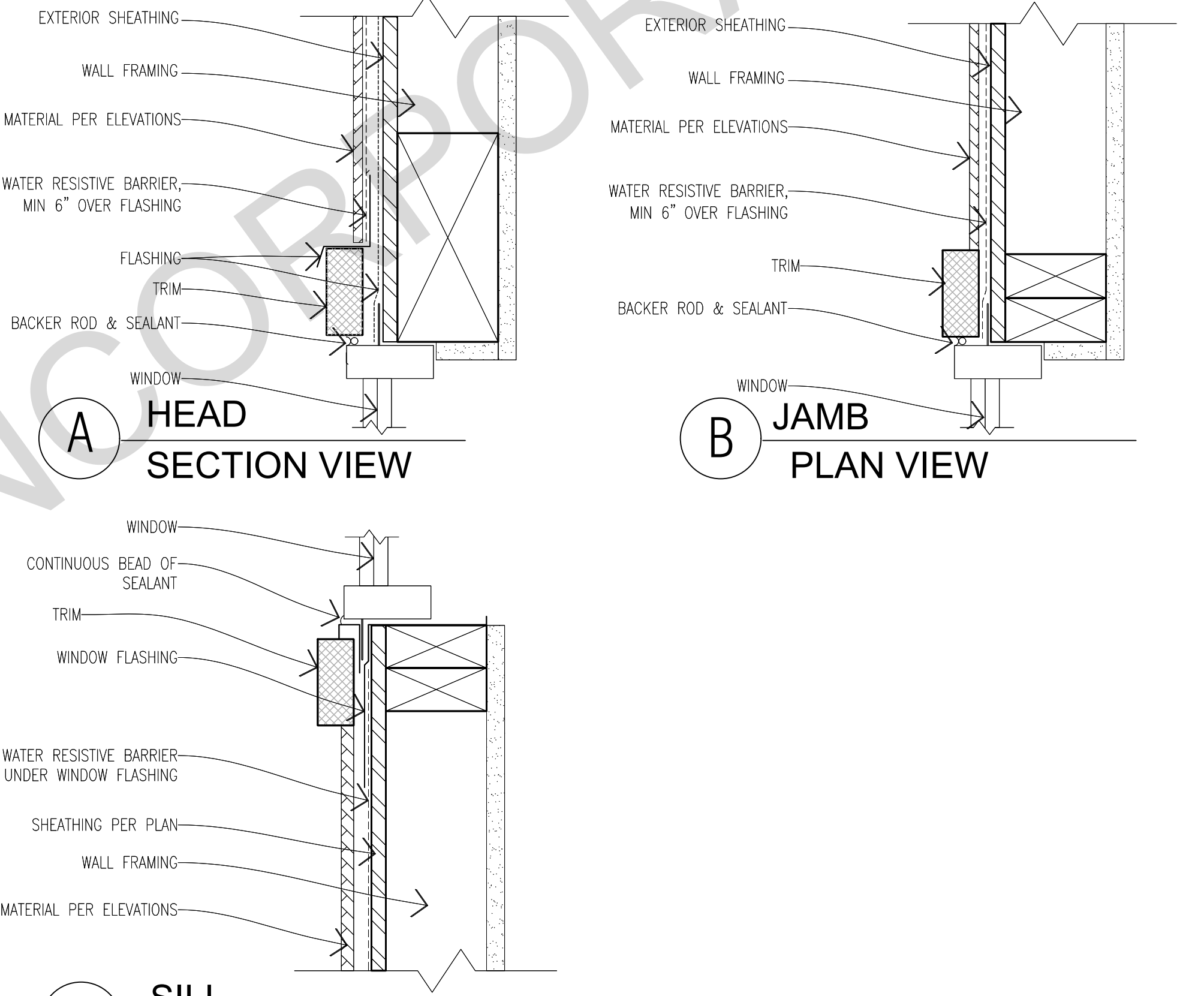
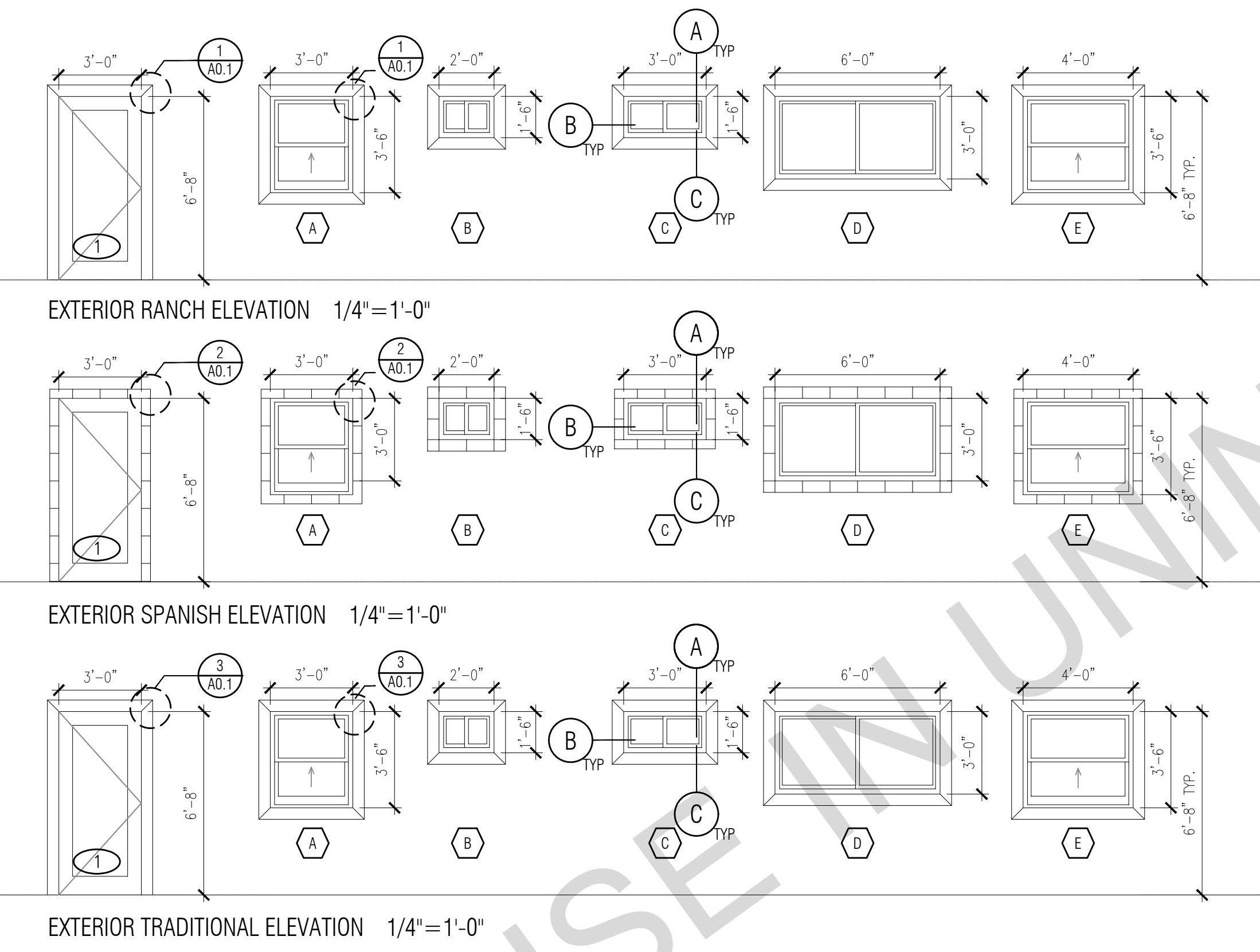
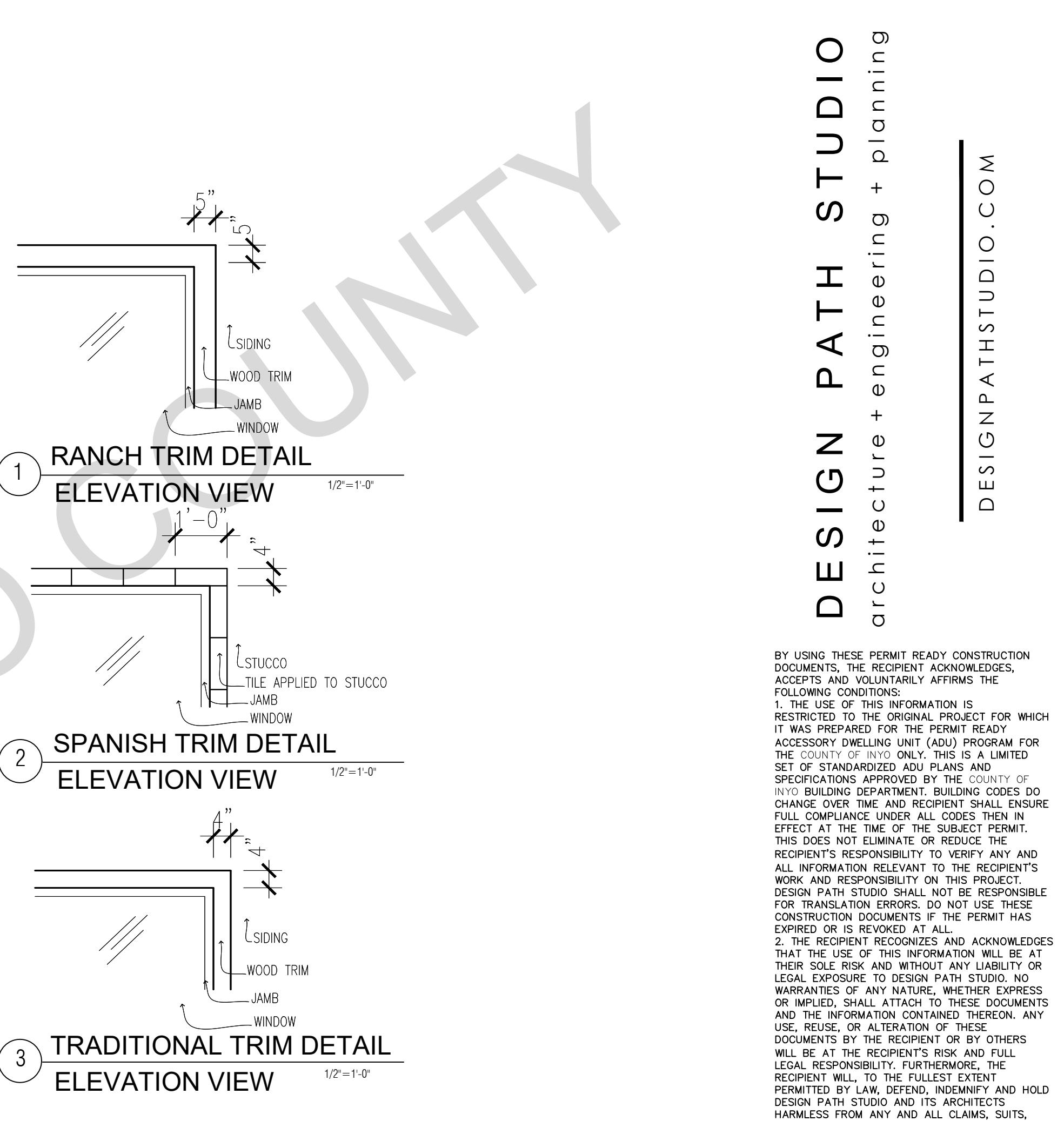
drawn by DESIGN PATH STUDIO

sheet no. **G0.4**

WINDOW SCHEDULE								DOOR SCHEDULE												
WINDOW	WINDOW SIZE		OPER.	QNTY	FRAME	HEAD HEIGHT	LOCATION	REMARKS	VHFSZ NOTES SEE SHEET G0.3 (WHEN REQ'D)	DOOR	DOOR TYPE	DOOR SIZE			CORE	MATERIAL	FRAME	LOCATION	REMARKS	VHFSZ NOTES SEE SHEET G0.3 (WHEN REQ'D)
	WIDTH	HEIGHT										WIDTH	HEIGHT	THICK.						
A	3'-0"	3'-6"	SINGLE HUNG	1	VINYL	6'-8"	LIVING ROOM / KITCHEN		NOTE 15 & 16	1	SINGLE DOOR	3'-0"	6'-8"	1-3/4"	GL	VNL/GLASS	VINYL	FRONT ENTRY		NOTE 15,16,17,18 & 19
B	2'-0"	1'-6"	SLIDER	1	VINYL	6'-8"	BATHROOM	TEMPERED	NOTE 15 & 16	2	BI-FOLD DOOR	2'-7"	6'-8"	1-3/4"	HLW	WOOD	WD	WASHROOM		
C	3'-0"	1'-6"	SLIDER	1	VINYL	6'-8"	BATHROOM	TEMPERED	NOTE 15 & 16	3	SINGLE DOOR	2'-6"	6'-8"	1-3/4"	HLW	WOOD	WD	WATER HEATER	LOUVERED	
D	6'-0"	3'-0"	SLIDER	2	VINYL	6'-8"	BEDROOM		NOTE 15 & 16	4	SINGLE DOOR	3'-0"	6'-8"	1-3/4"	HLW	WOOD	WD	BATHROOM		
E	4'-0"	3'-6"	SINGLE HUNG	4	VINYL	6'-8"	BEDROOM/LIVING ROOM		NOTE 15 & 16	5	CLOSET DOOR	6'-7"	6'-8"	1-3/4"	HLW	WOOD	WD	BEDROOM		
										6	SLIDING DOOR	3'-0"	6'-8"	1-3/4"	HLW	WOOD	WD	BEDROOM		

WINDOW NOTES																			
1. SEE EXTERIOR ELEVATION FOR DIRECTION OF OPERATION OF WINDOWS (ALL OPERABLE WINDOWS TO HAVE SCREENS). 2. ALL WINDOW DIMENSIONS PERTAIN TO ROUGH OPENINGS (R.O.), CONTRACTOR TO FIELD VERIFY ACTUAL DIMENSIONS FOR WINDOWS. 3. ALL GLAZING WILL BE INSTALLED WITH A CERTIFYING LABEL ATTACHED, SHOWING THE NFRC LABEL. 4. ALL GLAZING SHALL BE SPECTRALLY SELECTIVE LOW E COATED TO MEET TITLE 24 ENERGY REQUIREMENTS. 5. WINDOWS SHALL MEET THE MINIMUM INFILTRATION REQUIREMENTS PER SECTION 116 E.E.S.D. 6. VENTILATION SHALL COMPLY WITH C.B.C. 1203.4 AND R303. 7. EVERY SLEEPING ROOM SHALL HAVE ONE OPERABLE WINDOW FOR EMERGENCY ESCAPE OR RESCUE WITH A MIN. NET CLEAR OPENABLE AREA OF 5.0 SQ. FT ON GRADE LEVEL FLOOR, 5.7 SQ. FT AT 2ND LEVEL FLOOR, MIN. NET CLEAR OPENABLE HEIGHT OF 24" MIN. NET CLEAR WIDTH OF 20" AND A FIN. SILL HEIGHT OF NOT MORE THAN 44" A.F.F. PER CRC SECTION 310.1. 8. TEMPERED GLASS SHALL BE PERMANENTLY IDENTIFIED AND VISIBLE WHEN THE UNIT IS GLAZED. 9. EVERY SPACE INTENDED FOR HUMAN OCCUPANCY SHALL BE PROVIDED WITH NATURAL VENTILATION AND NATURAL LIGHT BY MEANS OF VENTILATION / ARTIFICIAL LIGHT. CBC SECTIONS 1203.4 AND 1205.1 AND R303. THE MINIMUM NET GLAZED AREA FOR NATURAL LIGHT SHALL NOT BE LESS THAN 8% OF THE FLOOR AREA OF THE ROOM SERVED. CBC SECTION 1205.2. THE MINIMUM OPENABLE AREA TO THE OUTDOORS FOR NATURAL VENTILATION SHALL BE 4% OF THE FLOOR AREA BEING VENTILATED. SECTION 1203.4. 10. EXTERIOR WINDOWS, WINDOW WALLS, GLAZED DOORS, AND GLAZED OPENINGS WITHIN EXTERIOR DOORS SHALL BE INSULATING-GLASS UNITS WITH A MINIMUM OF ONE TEMPERED PANE. 11. FIRE-RESISTANCE RATED GLAZING TESTED AS PART OF A FIRE-RESISTANCE-RATED WALL ASSEMBLY IN ACCORDANCE WITH ASTM E 119 OR UL 263 TO BE CONSTRUCTED PER NOTE #13. 12. THE FOLLOWING WINDOWS SHALL BE FULLY TEMPERED: (CRC R308.4) -SLIDING/SWINGING GLASS DOORS -GLAZING IN WALLS AND ENCLOSURES FACING HOT TUBS, SPAS, WHIRLPOOLS, SAUNAS, STEAM ROOMS, BATHTUBS, SHOWERS AND SWIMMING POOLS WHERE THE GLAZING IS LESS THAN 60 INCHES ABOVE THE STANDING SURFACE WITHIN THE COMPARTMENT AND WITHIN 60 INCHES HORIZONTALLY OF THE WATER'S EDGE (CRC R308.4.5) -GLAZING WITHIN A 24" ARC OF A DOOR THAT IS LESS THAN 60 INCHES ABOVE THE FLOOR. SAFETY GLAZING REQUIRED ON A WALL LESS THAN 180 DEGREES FROM THE PLANE OF THE DOOR IN A CLOSED POSITION AND WITHIN 24" OF HINGE SIDE OF AN IN-SWING DOOR. (R308.4.2) -GLAZING WHERE THE EXPOSED AREA IS GREATER THAN 9SQ.FT, BOTTOM IS LESS THAN 18 IN. AND AT LEAST 36 IN. ABOVE THE FLOOR, AND ADJACENT TO A WALKING SURFACE WITHIN 60IN. OF THE BOTTOM TREAD OF A STAIRWAY AND LESS THAN 36IN. ABOVE THE LANDING -GLAZING IN GUARDS AND RAILINGS -GLAZING ADJACENT TO STAIRWAYS, LANDINGS, AND RAMPS WITHIN 36IN. HORIZONTALLY OF THE WALKING SURFACE LESS THAN 36IN. ABOVE THE WALKING SURFACE 13. R337.8.2.1 EXTERIOR WINDOWS AND EXTERIOR GLAZED DOOR ASSEMBLY REQUIREMENTS: 1. BE CONSTRUCTED OF MULTI-PANE GLAZING WITH A MINIMUM OF ONE TEMPERED PANE MEETING THE REQUIREMENTS OF SECTION 2406 SAFETY GLAZING, OR 2. BE CONSTRUCTED OF GLASS BLOCK UNITS, OR 3. HAVE A FIRE-RESISTANT RATING OF NOT LESS THAN 20 MINUTES WHEN TESTED IN ACCORDANCE TO NFPA 257, OR 4. BE TESTED TO MEET THE PERFORMANCE REQUIREMENTS OF SFM STANDARD 12-7A-2.																			

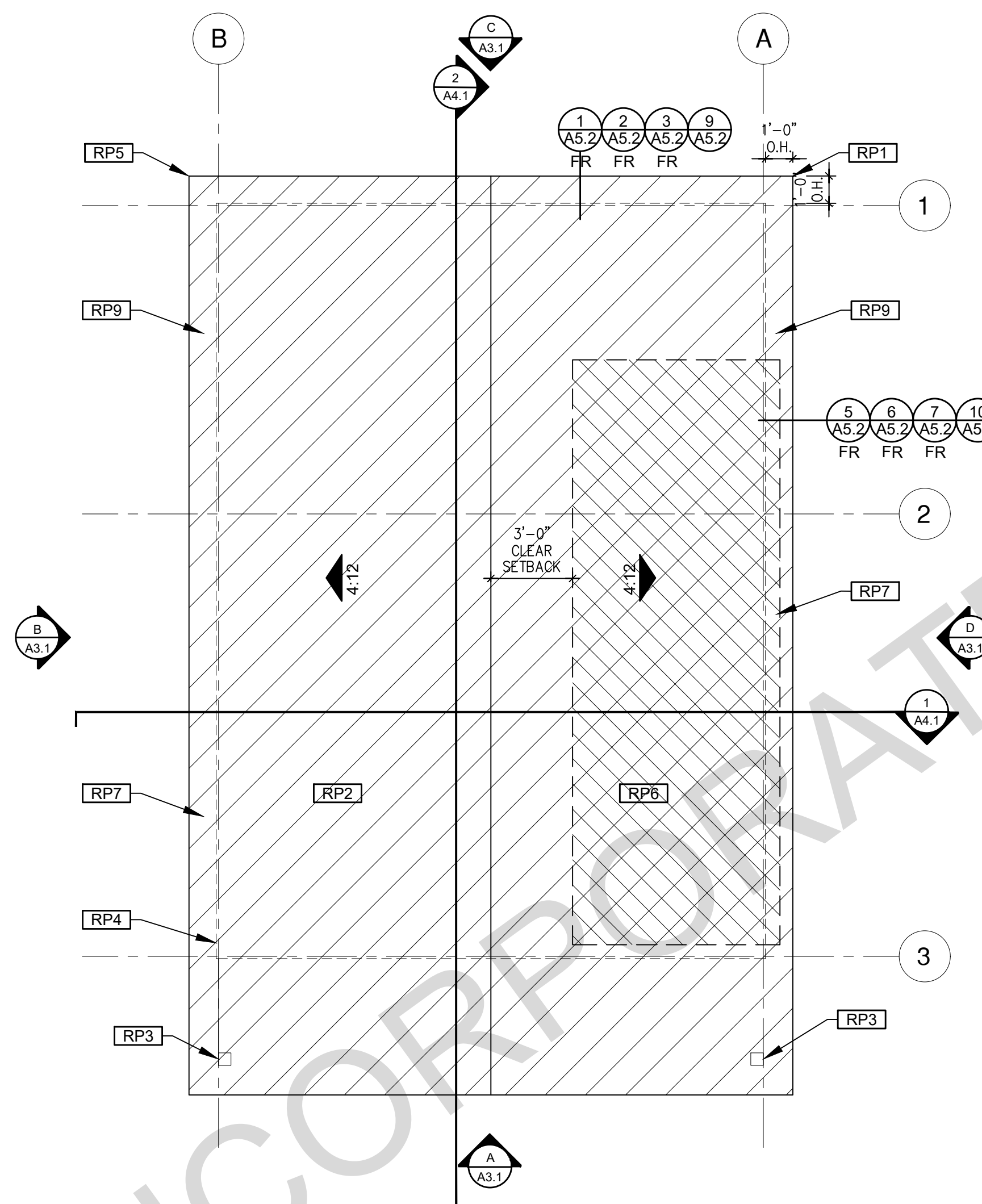
DOOR NOTES																			
1. ALL GLASS IN DOORS SHALL BE TEMPERED. TEMPERED GLASS SHALL BE PERMANENTLY IDENTIFIED AND VISIBLE WHEN THE UNIT IS GLAZED. 2. ALL GLAZING WILL BE INSTALLED WITH A CERTIFYING LABEL ATTACHED, SHOWING THE "U" VALUE. 3. REFER TO FLOOR PLANS FOR DIRECTION OF DOOR SWING. 4. DOORS SHALL MEET THE MINIMUM INFILTRATION REQUIREMENTS PER SECTION 116 E.E.S. 5. VENTILATION SHALL COMPLY WITH C.B.C. 1203.4 AND R303. 6. DOORS MAY OPEN TO THE EXTERIOR ONLY IF THE FLOOR OR LANDING IS NOT MORE THAN 1-1/2" INCH LOWER THAN THE DOOR THRESHOLD. LANDINGS ON THE EXTERIOR SIDE MAY BE NO MORE THAN 7-3/4" BELOW THE TOP OF THE THRESHOLD IF THE DOOR DOES NOT SWING OVER THE LANDING. LANDINGS NOT AT GRADE REQUIRE ACCESS TO GRADE BY WAY OF RAMP OR STAIR. 7. GLAZED OPENINGS WITHIN EXTERIOR DOORS SHALL BE INSULATING-GLASS UNITS WITH A MINIMUM OF ONE TEMPERED PANE. 8. THE FOLLOWING WINDOWS SHALL BE FULLY TEMPERED: (CRC R308.4) -SLIDING/SWINGING GLASS DOORS -GLAZING IN WALLS AND ENCLOSURES FACING HOT TUBS, SPAS, WHIRLPOOLS, SAUNAS, STEAM ROOMS, BATHTUBS, SHOWERS AND SWIMMING POOLS WHERE THE GLAZING IS LESS THAN 60 INCHES ABOVE THE STANDING SURFACE WITHIN THE COMPARTMENT AND WITHIN 60 INCHES HORIZONTALLY OF THE WATER'S EDGE (CRC R308.4.5) -GLAZING WITHIN A 24" ARC OF A DOOR THAT IS LESS THAN 60 INCHES ABOVE THE FLOOR. SAFETY GLAZING REQUIRED ON A WALL LESS THAN 180 DEGREES FROM THE PLANE OF THE DOOR IN A CLOSED POSITION AND WITHIN 24" OF HINGE SIDE OF AN IN-SWING DOOR. (R308.4.2) -GLAZING WHERE THE EXPOSED AREA IS GREATER THAN 9SQ.FT, BOTTOM IS LESS THAN 18 IN. AND AT LEAST 36 IN. ABOVE THE FLOOR, AND ADJACENT TO A WALKING SURFACE WITHIN 60IN. OF THE BOTTOM TREAD OF A STAIRWAY AND LESS THAN 36IN. ABOVE THE LANDING -GLAZING IN GUARDS AND RAILINGS -GLAZING ADJACENT TO STAIRWAYS, LANDINGS, AND RAMPS WITHIN 36IN. HORIZONTALLY OF THE WALKING SURFACE LESS THAN 36IN. ABOVE THE WALKING SURFACE 9. R337.8.2.1 EXTERIOR WINDOWS AND EXTERIOR GLAZED DOOR ASSEMBLY REQUIREMENTS: 1. BE CONSTRUCTED OF MULTI-PANE GLAZING WITH A MINIMUM OF ONE TEMPERED PANE MEETING THE REQUIREMENTS OF SECTION 2406 SAFETY GLAZING, OR 2. BE CONSTRUCTED OF GLASS BLOCK UNITS, OR 3. HAVE A FIRE-RESISTANT RATING OF NOT LESS THAN 20 MINUTES WHEN TESTED IN ACCORDANCE TO NFPA 257, OR 4. BE TESTED TO MEET THE PERFORMANCE REQUIREMENTS OF SFM STANDARD 12-7A-2. 10. R337.8.3 EXTERIOR DOORS. EXTERIOR DOORS SHALL COMPLY WITH ONE OF THE FOLLOWING: 1. THE EXTERIOR SURFACE OR CLADDING SHALL BE OF NON-COMBUSTIBLE OR IGNITION-RESISTANT MATERIAL. 2. THE EXTERIOR SURFACE OR CLADDING SHALL BE IGNITION RESISTANT MATERIAL. 3. THE EXTERIOR DOOR SHALL BE CONSTRUCTED OF SOLID CORE WOOD THAT COMPLY WITH THE FOLLOWING REQUIREMENTS: 3.1 STILES AND RAILS SHALL NOT BE LESS THAN 1-3/8" THICK. 3.2 RAISED PANELS SHALL NOT BE LESS THAN 1-1/4" THICK. EXCEPT FOR THE EXTERIOR PERIMETER OF THE PANEL THAT SHALL BE PERMITTED TO TAPER TO A TONGUE NOT LESS THAN 3/4" THICK. 4. THE EXTERIOR DOOR SHALL HAVE A FIRE-RESISTANCE RATING OF NOT LESS THAN 20 MINUTES WHEN TESTED ACCORDING TO THE NFPA 252. 5. THE EXTERIOR SURFACE OR CLADDING SHALL BE TESTED TO MEET THE PERFORMANCE IN SECTION 707A.3.1 WHEN TESTED IN ACCORDANCE WITH ASTM E2707. 6. THE EXTERIOR SURFACE OR CLADDING SHALL BE TESTED TO MEET THE PERFORMANCE REQUIREMENTS OF SFM STANDARD 12-7A-1.																			



C SILL SECTION VIEW
WINDOW DETAILS (DOORS SIMILAR)
 SCALE: 3" = 1'-0"

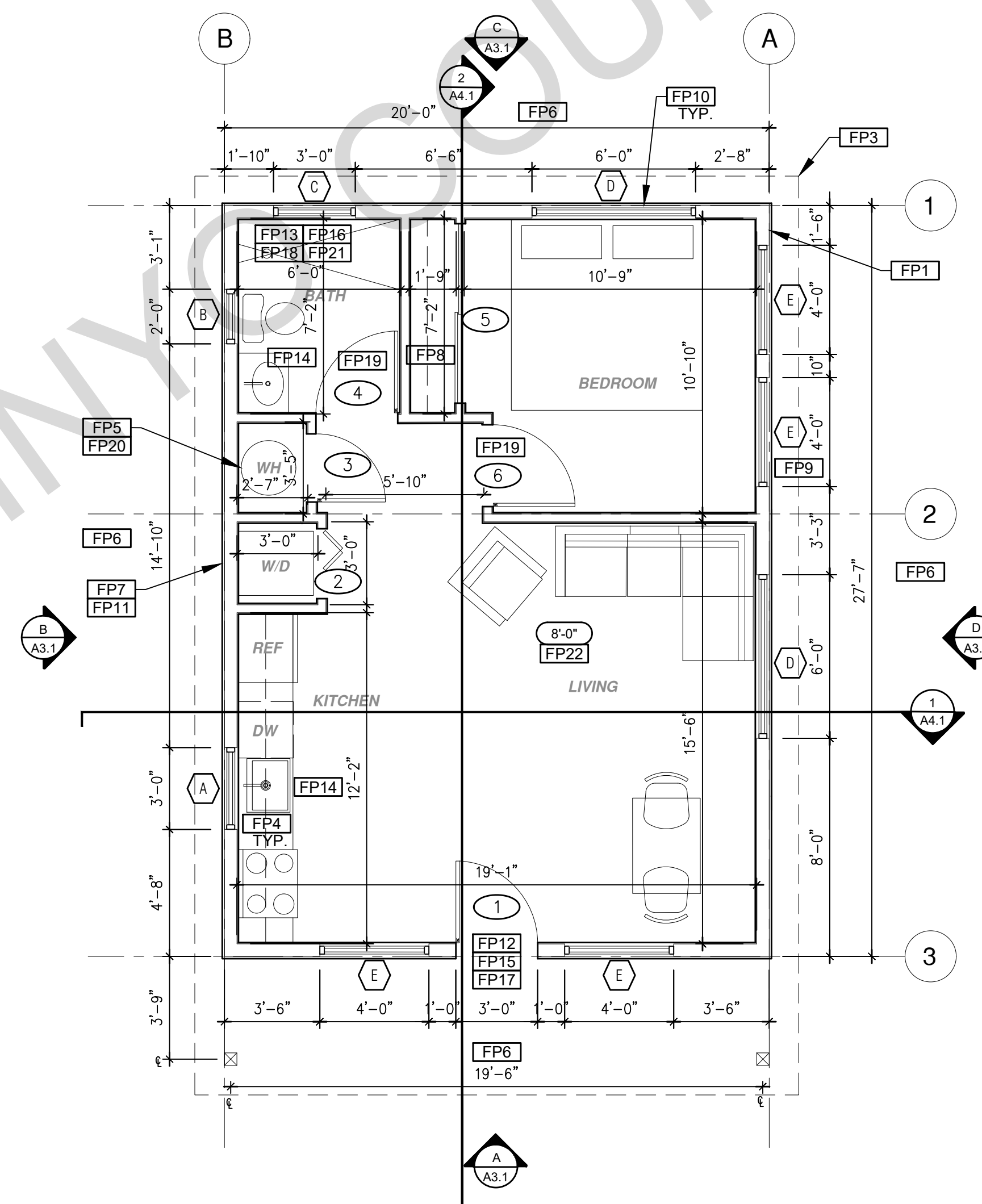
BY USING THESE PERMIT READY CONSTRUCTION DOCUMENTS, THE RECIPIENT ACKNOWLEDGES, ACCEPTS AND VOLUNTARILY AFFIRMS THE FOLLOWING CONDITIONS:
 1. THE USE OF THIS INFORMATION IS RESTRICTED TO THE ORIGINAL PROJECT FOR WHICH IT WAS PREPARED FOR THE PERMIT READY ACCESSORY DWELLING UNIT (ADU) PROGRAM FOR THE COUNTY OF INYO ONLY. THIS IS A LIMITED SET OF STANDARDIZED ADU PLANS AND SPECIFICATIONS APPROVED BY THE COUNTY OF INYO BUILDING DEPARTMENT. BUILDING CODES DO CHANGE OVER TIME AND RECIPIENT SHALL ENSURE FULL COMPLIANCE UNDER ALL CODES THEN IN EFFECT AT THE TIME OF THE SUBJECT PERMIT. THIS DOES NOT ELIMINATE OR REDUCE THE RECIPIENT'S RESPONSIBILITY TO VERIFY ANY AND ALL INFORMATION RELEVANT TO THE RECIPIENT'S WORK AND RESPONSIBILITY ON THIS PROJECT. DESIGN PATH STUDIO SHALL NOT BE RESPONSIBLE FOR TRANSLATION ERRORS. DO NOT USE THESE CONSTRUCTION DOCUMENTS IF THE PERMIT HAS EXPIRED OR IS REVOKED AT ALL.
 2. THE RECIPIENT RECOGNIZES AND ACKNOWLEDGES THAT THE USE OF THIS INFORMATION WILL BE AT THEIR SOLE RISK AND WITHOUT ANY LIABILITY OR LEGAL EXPOSURE TO DESIGN PATH STUDIO. NO WARRANTIES OF ANY NATURE, WHETHER EXPRESS OR IMPLIED, SHALL ATTACH TO THESE DOCUMENTS AND THE INFORMATION CONTAINED THEREON. ANY USE, REUSE, OR ALTERATION OF THESE DOCUMENTS BY THE RECIPIENT OR BY OTHERS WILL BE AT THE RECIPIENT'S RISK AND FULL LEGAL RESPONSIBILITY. FURTHERMORE, THE RECIPIENT WILL, TO THE FULLEST EXTENT PERMITTED BY LAW, DEFEND, INDEMNIFY AND HOLD DESIGN PATH STUDIO AND ITS ARCHITECTS HARMLESS FROM ANY AND ALL CLAIMS, SUITS, LIABILITY, DEMANDS, JUDGMENTS, OR COSTS ARISING OUT OF OR RESULTING THERE FROM ANY USE OF THESE CONSTRUCTION DOCUMENTS FOR OR ON ACCOUNT OF ANY INJURY, DEATH, DAMAGE OR LOSS TO PERSONS OR PROPERTY, DIRECT OR CONSEQUENTIAL DAMAGES IN ANY AMOUNT. THIS INDEMNITY DOES NOT APPLY TO THE SOLE NEGLIGENCE OR WILLFUL MISCONDUCT OF DESIGN PATH STUDIO OR ITS ARCHITECTS.
 3. THE DESIGNS REPRESENTED BY THESE PLANS ARE COPYRIGHTED AND ARE SUBJECT TO COPYRIGHT PROTECTION.
 4. IF THE RECIPIENT DOES NOT AGREE WITH THE ABOVE CONDITIONS, DO NOT PROCEED WITH CONSTRUCTION OF AN ADU OR OTHER IMPROVEMENT UNDER THESE PLANS AT ALL.

BY USING THESE PERMIT READY CONSTRUCTION DOCUMENTS, THE RECIPIENT ACKNOWLEDGES, ACCEPTS AND VOLUNTARILY AFFIRMS THE FOLLOWING CONDITIONS:
1. THE USE OF THIS INFORMATION IS RESTRICTED TO THE ORIGINAL PROJECT FOR WHICH IT WAS PREPARED FOR THE PERMIT READY ACCESSORY DWELLING UNIT (ADU) PROGRAM FOR THE COUNTY OF INYO ONLY. THIS IS A LIMITED SET OF STANDARDIZED ADU PLANS AND SPECIFICATIONS APPROVED BY THE COUNTY OF INYO BUILDING DEPARTMENT. BUILDING CODES DO CHANGE OVER TIME AND RECIPIENT SHALL ENSURE FULL COMPLIANCE UNDER ALL CODES THEN IN EFFECT AT THE TIME OF THE SUBJECT PERMIT. THIS DOES NOT ELIMINATE OR REDUCE THE RECIPIENT'S RESPONSIBILITY TO VERIFY ANY AND ALL INFORMATION RELEVANT TO THE RECIPIENT'S WORK AND RESPONSIBILITY ON THIS PROJECT. DESIGN PATH STUDIO SHALL NOT BE RESPONSIBLE FOR TRANSLATION ERRORS. DO NOT USE THESE CONSTRUCTION DOCUMENTS IF THE PERMIT HAS EXPIRED OR IS REVOKED AT ALL.
2. THE RECIPIENT RECOGNIZES AND ACKNOWLEDGES THAT THE USE OF THIS INFORMATION WILL BE AT THEIR SOLE RISK AND WITHOUT ANY LIABILITY OR LEGAL EXPOSURE TO DESIGN PATH STUDIO. NO WARRANTIES OF ANY NATURE, WHETHER EXPRESS OR IMPLIED, SHALL ATTACH TO THESE DOCUMENTS AND THE INFORMATION CONTAINED THEREON. ANY USE, REUSE, OR ALTERATION OF THESE DOCUMENTS BY THE RECIPIENT OR BY OTHERS WILL BE AT THE RECIPIENT'S RISK AND FULL LEGAL RESPONSIBILITY. FURTHERMORE, THE RECIPIENT WILL, TO THE FULLEST EXTENT PERMITTED BY LAW, DEFEND, INDEMNIFY AND HOLD DESIGN PATH STUDIO AND ITS ARCHITECTS HARMLESS FROM ANY AND ALL CLAIMS, SUITS, LIABILITY, DEMANDS, JUDGMENTS, OR COSTS ARISING OUT OF OR RESULTING THERE FROM ANY USE OF THESE CONSTRUCTION DOCUMENTS FOR OR ON ACCOUNT OF ANY INJURY, DEATH, DAMAGE OR LOSS TO PERSONS OR PROPERTY, DIRECT OR CONSEQUENTIAL DAMAGES IN ANY AMOUNT. THIS INDEMNITY DOES NOT APPLY TO THE SOLE NEGLIGENCE OR WILLFUL MISCONDUCT OF DESIGN PATH STUDIO OR ITS ARCHITECTS.
3. THE DESIGNS REPRESENTED BY THESE PLANS ARE COPYRIGHTED AND ARE SUBJECT TO COPYRIGHT PROTECTION.
4. IF THE RECIPIENT DOES NOT AGREE WITH THE ABOVE CONDITIONS, DO NOT PROCEED WITH CONSTRUCTION OF AN ADU OR OTHER IMPROVEMENT UNDER THESE PLANS AT ALL.



ROOF PLAN

1/4"=1'-0" 558 SQ. FT. RANCH



FLOOR PLAN

1/4"=1'-0" 558 SQ. FT. RANCH

ROOF KEYNOTES	FLOOR PLAN KEYNOTES	SOLAR READY NOTES	LEGEND
<p>RP1 LINE OF ROOF OVERHANG</p> <p>RP2 CLASS A ROOFING MATERIAL. SEE GENERAL ROOF NOTE 13 ON SHEET G0.2</p> <p>RP3 SUPPORT POST BELOW</p> <p>RP4 LINE OF WALLS BELOW</p> <p>RP5 ROOF DOWNSPOUT LOCATION TO BE DETERMINED BY SITE SPECIFIC CONDITIONS</p> <p>RP6 DESIGNATED SOLAR PANEL AREA. PLEASE SEE SOLAR READY NOTES ON THIS SHEET</p> <p>RP7 RAFTER VENTS TO MEET REQUIRED VENTILATION AREA FOR ENCLOSED RAFTER SPACES. MAX 1/4", MIN 1/8" OPENING SIZE ON VENT SCREEN WITH CORROSION-RESISTANT WIRE SCREEN MATERIAL. 1 SF OF VENTING PER 150 SF OF ENCLOSED RAFTER AREA IN NON-FIRE RATED CONSTRUCTION PLEASE SEE VENTING CALCULATIONS ON THIS SHEET</p> <p>RP8 CEILING JOISTS PERMITTED TO BE REMOVED AND INSULATION SPECIFICATIONS TO BE MODIFIED AT SITE SPECIFIC LOCATIONS WHERE ENERGY COMPLIANCE ANALYSIS ALLOWS.</p> <p>RP9 ROOF GUTTERS OF A NON-COMBUSTIBLE MATERIAL SHALL BE PROVIDED WITH THE MEANS TO PREVENT THE ACCUMULATION OF LEAVES AND DEBRIS IN THE GUTTER.</p>	<p>FP1 STUD WALL SIZE PER STRUCTURAL</p> <p>FP2 2X6 STUD WALL OR FURRING AS NEEDED FOR MECHANICAL / PLUMBING / VENTING</p> <p>FP3 LINE OF OVERHANG ABOVE</p> <p>FP4 36" HIGH COUNTER</p> <p>FP5 WATER HEATER</p> <p>FP6 SLOPE SURFACE AWAY FROM BUILDING</p> <p>FP7 DRYER VENT TERMINATION ON EXTERIOR WALL TO BE A MINIMUM OF 3 FT FROM ANY OPENING</p> <p>FP8 CLOSET SHELF AND POLE</p> <p>FP9 EMERGENCY EGRESS WINDOW</p> <p>FP10 WINDOW MUST HAVE A FRAME AND SASH COMPRISED OF WELDED CORNERS, METAL REINFORCEMENT IN THE INTERLOCK AREA, AND CONSTRUCTED OF MULTIPANE TEMPERED GLAZING WHERE INDICATED TYPICAL ALL WINDOWS</p> <p>FP11 VENT DRYER THROUGH WALL. SEE MECHANICAL / PLUMBING PLANS FOR FURTHER INFORMATION</p> <p>FP12 MIN. 1 HINGED ENTRY DOOR FOR EGRESS COMPLIANCE REQUIRED - THE EGRESS DOOR SHALL BE SIDE-HINGED AND SHALL PROVIDE A CLEAR WIDTH OF NOT LESS THAN 32 INCHES WHERE MEASURED BETWEEN THE FACE OF THE DOOR AND THE STOP, WITH THE DOOR OPEN 90°. THE CLEAR HEIGHT OF THE DOOR OPENING SHALL BE NOT LESS THAN 78 INCHES IN HEIGHT MEASURED FROM THE TOP OF THE THRESHOLD TO THE BOTTOM OF THE STOP</p> <p>FP13 SHOWER ENCLOSURE MUST BE TEMPERED. GLAZING IN THE WALLS/DOORS FACING OR CONTAINING BATHTUBS, SHOWERS, HOT TUBS, SPAS, WHIRLPOOLS, SAUNAS, STEAM ROOMS AND INDOOR/OUTDOOR SWIMMING POOLS WHERE THE BOTTOM EXPOSED EDGE OF THE GLAZING IS LESS THAN 60" ABOVE THE STANDING SURFACE. EXCEPTION: GLAZING THAT IS MORE THAN 60" MEASURED HORIZONTALLY, FROM THE WATER'S EDGE OF A BATHTUB, HOT TUB, SPA, WHIRLPOOL OR SWIMMING POOL. SHOWER DOORS SHALL OPEN AS TO MAINTAIN NOT LESS THAN A 22-INCH UNOBSTRUCTED OPENING FOR EGRESS.</p> <p>FP14 PER SECTION 301.1.1 CALGREEN AND CIVIL CODE 1101.3(c), ALL PLUMBING FIXTURES SHALL BE COMPLIANT WATER-CONSERVING PLUMBING FIXTURES. SEE MECHANICAL / PLUMBING PLANS FOR FURTHER INFORMATION</p> <p>FP15 LANDING OR FLOOR REQUIRED AT EACH SIDE OF EXTERIOR DOOR. WIDTH TO BE NOT LESS THAN THE DOOR SERVED AND HAVE A MIN 36 INCH DEPTH MEASURED IN THE DIRECTION OF TRAVEL. EXTERIOR LANDINGS SHALL BE PERMITTED TO HAVE A SLOPE NOT TO EXCEED 2" PER FOOT. LANDINGS OR FINISHED FLOORS AT EGRESS DOOR SHALL NOT BE MORE THAN 1.5" LOWER THAN THE TOP OF THE THRESHOLD FOR OUTWARD SWINGING DOORS OR 7.75" FOR DOORS THAT DO NOT SWING OUTWARD.</p> <p>FP16 WALL COVERING SHALL BE CEMENT PLASTER, TILE OR APPROVED EQUAL TO 72" ABOVE DRAIN AT SHOWERS OR TUB WITH SHOWERS. MATERIALS USED AS BACKERS FOR WALL TILE IN TUBE AND REINFORCED GYPSUM PANELS, NON-ASBESTOS FIBER CEMENT BACKER BOARD, OR NON-ASBESTOS FIBER CEMENT REINFORCED CEMENTITIOUS BACKER UNITS INSTALLED IN ACCORDANCE WITH MANUFACTURERS' RECOMMENDATIONS.</p> <p>FP17 DOOR BELL BUTTON TO BE NO MORE THAN 48" ABOVE EXTERIOR FLOOR OR LANDING</p> <p>FP18 WATER CLOSET AND SHOWER TO HAVE REINFORCEMENT IN WALLS 2X8 NOMINAL AT 32" TO 39.5" ABOVE FINISH FLOOR. SEE FLOOR PLAN GENERAL NOTE #28 ON SHEET G0.2 FOR FURTHER INFORMATION. WHERE THE WATER CLOSET IS NOT PLACED ADJACENT TO A SIDE WALL CAPABLE OF ACCOMMODATING A GRAB BAR, THE BATHROOM SHALL HAVE PROVISIONS FOR INSTALLATION OF FLOOR-MOUNTED, FOLD-AWAY OR SIMILAR ALTERNATE GRAB BAR REINFORCEMENTS APPROVED BY THE ENFORCING AGENCY.</p> <p>FP19 DOOR TO HAVE A NET CLEAR OPENING OF 32"</p> <p>FP20 DESIGNATED 2'-6" x 2'-6" x 7' TALL MINIMUM AREA FOR INSTALLATION OF AN ELECTRIC HYBRID HEAT PUMP WATER HEATER PER CEC 2022 SECTION 150.0(N)</p> <p>FP21 FURRING AS NEEDED FOR STANDARD TUB AND SHOWER LENGTH</p> <p>FP22 CEILING JOIST REQUIRED IN CLIMATE ZONE 16 TO REACH INSULATION REQUIREMENTS. ALL OTHER CLIMATE ZONES DO NOT REQUIRE CEILING JOISTS AND MAY HAVE VAULTED CEILINGS. REFER TO TITLE 24 CALCULATION REPORTS.</p>	<p>SOLAR READY ROOF AREA: MIN DIMENSION > 5FT. MIN. SF > 80SF. PER CALIFORNIA ENERGY CODE SECTION 110.10(b)</p> <p>THE SOLAR ZONE SHALL COMPLY WITH ACCESS, PATHWAY, SMOKE VENTILATION, AND SPACING REQUIREMENTS AS SPECIFIED IN TITLE 24, PART 9 OR OTHER PARTS OF TITLE 24 OR IN ANY REQUIREMENTS ADOPTED BY LOCAL JURISDICTION</p> <p>SINGLE FAMILY RESIDENCE. THE SOLAR ZONE SHALL BE LOCATED ON THE ROOF OR OVERHANG OF THE BUILDING AND HAVE A TOTAL AREA OF NO LESS THAN 250SQFT.</p> <p>FOR PHOTOVOLTAIC ARRAYS OCCUPYING NOT MORE THAN 33 PERCENT OF THE PLAN VIEW TOTAL ROOF AREA, NOT LESS THAN AN 18-INCH (457 MM) CLEAR SETBACK IS REQUIRED ON BOTH SIDES OF A HORIZONTAL RIDGE. FOR PHOTOVOLTAIC ARRAYS OCCUPYING MORE THAN 33 PERCENT OF THE PLAN VIEW TOTAL ROOF AREA, NOT LESS THAN A 36-INCH (914 MM) CLEAR SETBACK IS REQUIRED ON BOTH SIDES OF A HORIZONTAL RIDGE.</p> <p>CAPACITY OF THE PV SYSTEMS PER THE CF1R-PRF: _____</p> <p>VENTING CALCULATIONS</p> <p>ROOF VENTING: 1SF. OF ROOF VENTING PER 150 SF. OF ENCLOSED AREA OR ENCLOSED RAFTER AREA. ENCLOSED RAFTER AREA: 538_SF VENTILATION AREA REQUIRED: 538_SF / 150SF = 3.72_SF. CONVERT TO SQ. IN. 3.72_SF x 144 = 536 SQ. IN. MINIMUM VENTILATION AREA REQUIRED: 536 SQ. IN.</p>	<p> SECTION CUT</p> <p> ELEVATION CALLOUT</p> <p> DETAIL DRAWING REF.</p> <p> WALL BELOW OR ROOF ABOVE</p> <p> SOLAR ZONE. REFER TO SOLAR NOTES ON SHEET G0.2</p> <p> ROOFING</p> <p> KEYNOTE</p> <p> DOOR SYMBOL: SEE SHEET A0.1 FOR DOOR SCHEDULE</p> <p> WINDOW SYMBOL: SEE SHEET A0.1 FOR WINDOW SCHEDULE</p> <p> CEILING HEIGHTS</p> <p> VAULTED CEILING</p> <p> ROOF SLOPE</p>

project
County of Inyo
Pre-Approved
ADU/SFD Program

revisions

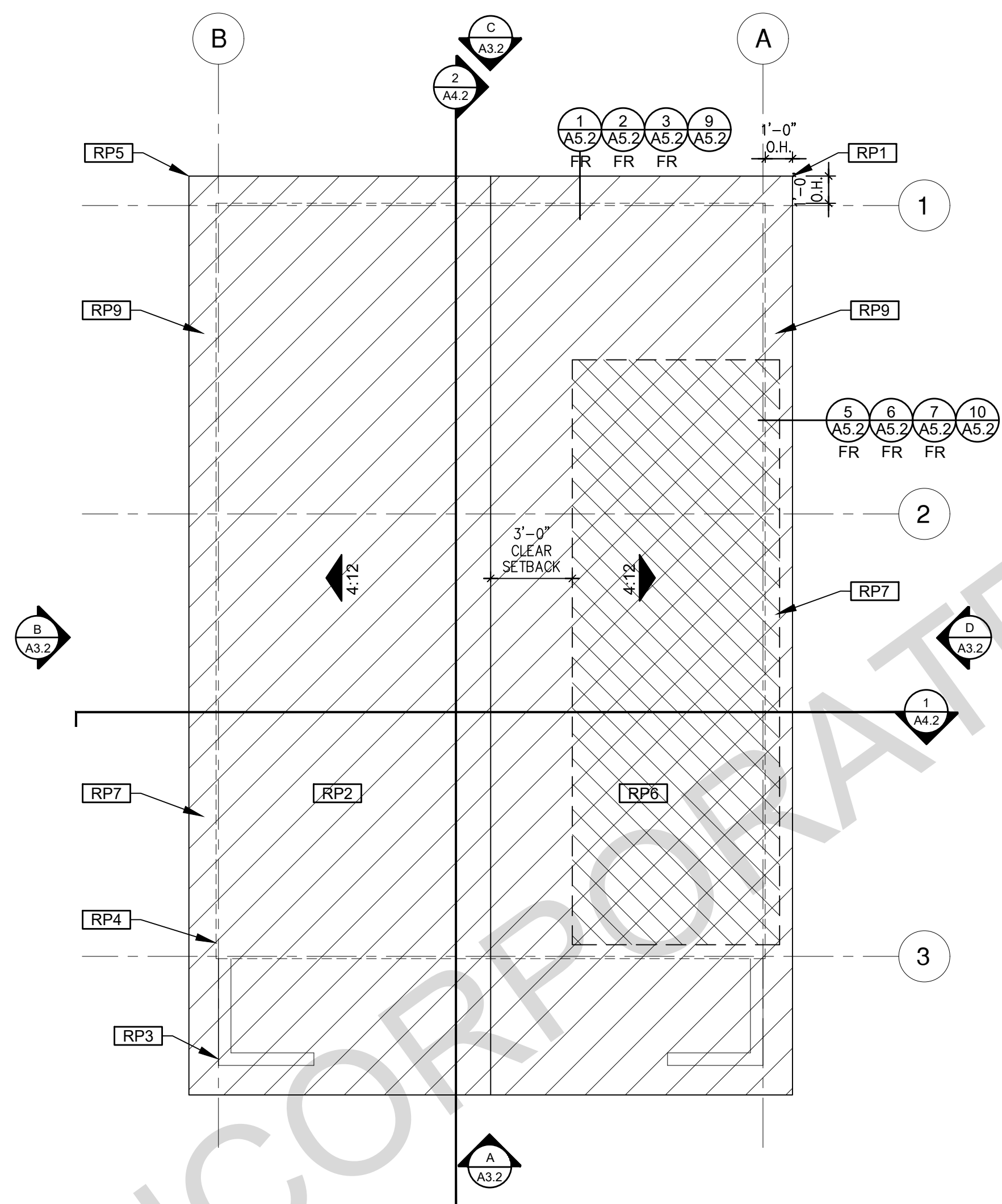
description
Floor Plan/
Roof Plan
Ranch
1 Bedroom

date 2024

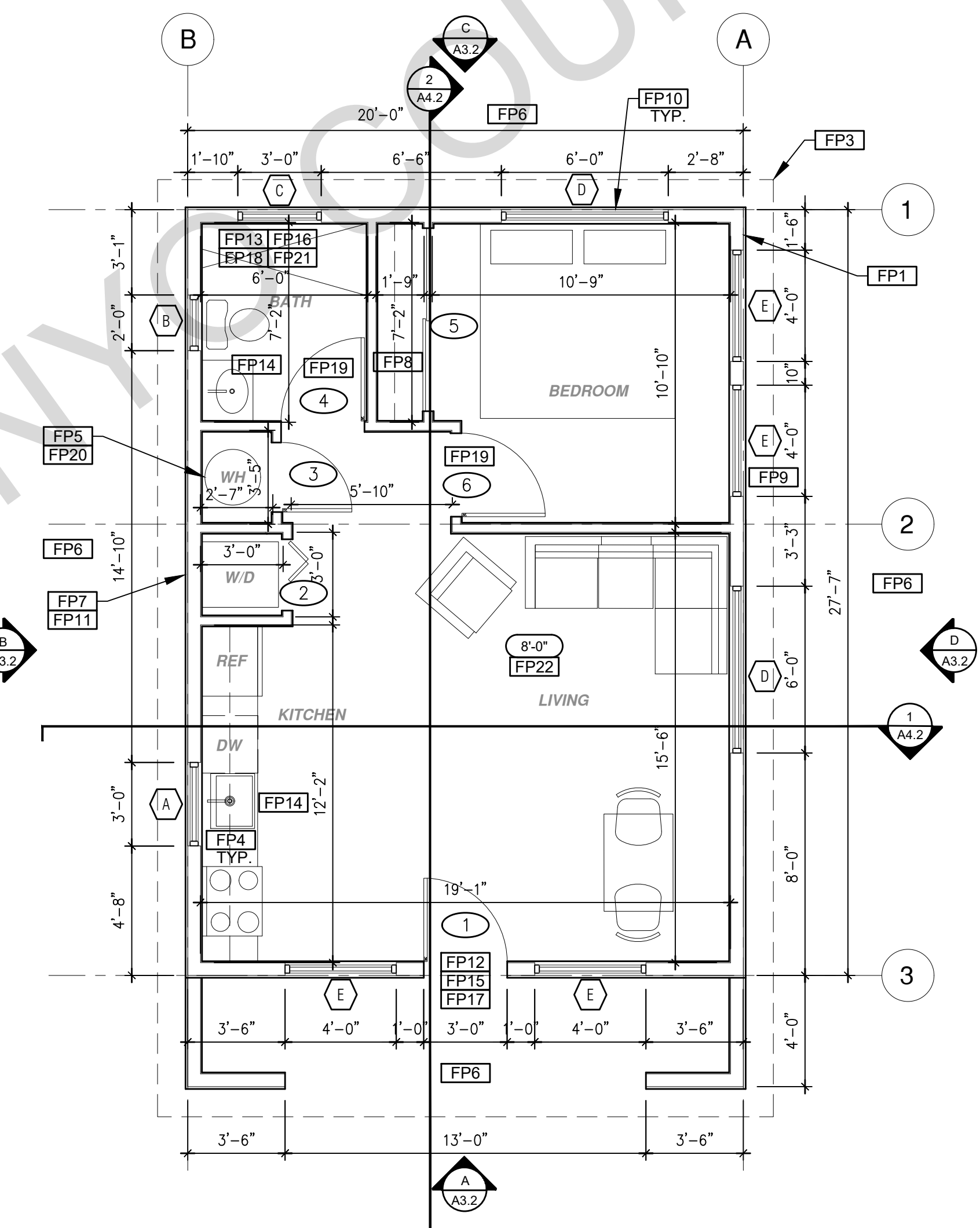
project no. INYO COUNTY ADU/SFDs

drawn by DESIGN PATH STUDIO

sheet no. **A1.1**



ROOF PLAN
1/4"=1'-0" 558 SQ. FT. SPANISH



FLOOR PLAN
1/4"=1'-0" 558 SQ. FT. SPANISH

BY USING THESE PERMIT READY CONSTRUCTION DOCUMENTS, THE RECIPIENT ACKNOWLEDGES, ACCEPTS AND VOLUNTARILY AFFIRMS THE FOLLOWING CONDITIONS:
1. THE USE OF THIS INFORMATION IS RESTRICTED TO THE ORIGINAL PROJECT FOR WHICH IT WAS PREPARED FOR THE PERMIT READY ACCESSORY DWELLING UNIT (ADU) PROGRAM FOR THE COUNTY OF INYO ONLY. THIS IS A LIMITED SET OF STANDARDIZED ADU PLANS AND SPECIFICATIONS APPROVED BY THE COUNTY OF INYO BUILDING DEPARTMENT. BUILDING CODES DO CHANGE OVER TIME AND RECIPIENT SHALL ENSURE FULL COMPLIANCE UNDER ALL CODES THEN IN EFFECT AT THE TIME OF THE SUBJECT PERMIT. THIS DOES NOT ELIMINATE OR REDUCE THE RECIPIENT'S RESPONSIBILITY TO VERIFY ANY AND ALL INFORMATION RELEVANT TO THE RECIPIENT'S WORK AND RESPONSIBILITY ON THIS PROJECT. DESIGN PATH STUDIO SHALL NOT BE RESPONSIBLE FOR TRANSLATION ERRORS. DO NOT USE THESE CONSTRUCTION DOCUMENTS IF THE PERMIT HAS EXPIRED OR IS REVOKED AT ALL.
2. THE RECIPIENT RECOGNIZES AND ACKNOWLEDGES THAT THE USE OF THIS INFORMATION WILL BE AT THEIR SOLE RISK AND WITHOUT ANY LIABILITY OR LEGAL EXPOSURE TO DESIGN PATH STUDIO. NO WARRANTIES OF ANY NATURE, WHETHER EXPRESS OR IMPLIED, SHALL ATTACH TO THESE DOCUMENTS AND THE INFORMATION CONTAINED THEREON. ANY USE, REUSE, OR ALTERATION OF THESE DOCUMENTS BY THE RECIPIENT OR BY OTHERS WILL BE AT THE RECIPIENT'S RISK AND FULL LEGAL RESPONSIBILITY. FURTHERMORE, THE RECIPIENT WILL, TO THE FULLEST EXTENT PERMITTED BY LAW, DEFEND, INDEMNIFY AND HOLD DESIGN PATH STUDIO AND ITS ARCHITECTS HARMLESS FROM ANY AND ALL CLAIMS, SUITS, LIABILITY, DEMANDS, JUDGMENTS, OR COSTS ARISING OUT OF OR RESULTING THERE FROM ANY USE OF THESE CONSTRUCTION DOCUMENTS FOR OR ON ACCOUNT OF ANY INJURY, DEATH, DAMAGE OR LOSS TO PERSONS OR PROPERTY, DIRECT OR CONSEQUENTIAL DAMAGES IN ANY AMOUNT. THIS INDEMNITY DOES NOT APPLY TO THE SOLE NEGLIGENCE OR WILLFUL MISCONDUCT OF DESIGN PATH STUDIO OR ITS ARCHITECTS.
3. THE DESIGNS REPRESENTED BY THESE PLANS ARE COPYRIGHTED AND ARE SUBJECT TO COPYRIGHT PROTECTION.
4. IF THE RECIPIENT DOES NOT AGREE WITH THE ABOVE CONDITIONS, DO NOT PROCEED WITH CONSTRUCTION OF AN ADU OR OTHER IMPROVEMENT UNDER THESE PLANS AT ALL.

project
County of Inyo
Pre-Approved
ADU/SFD Program

revisions
△
△
△
△
△

description
**Floor Plan/
Roof Plan
Spanish
1 Bedroom**

date 2024

project no. INYO COUNTY ADU/SFDs

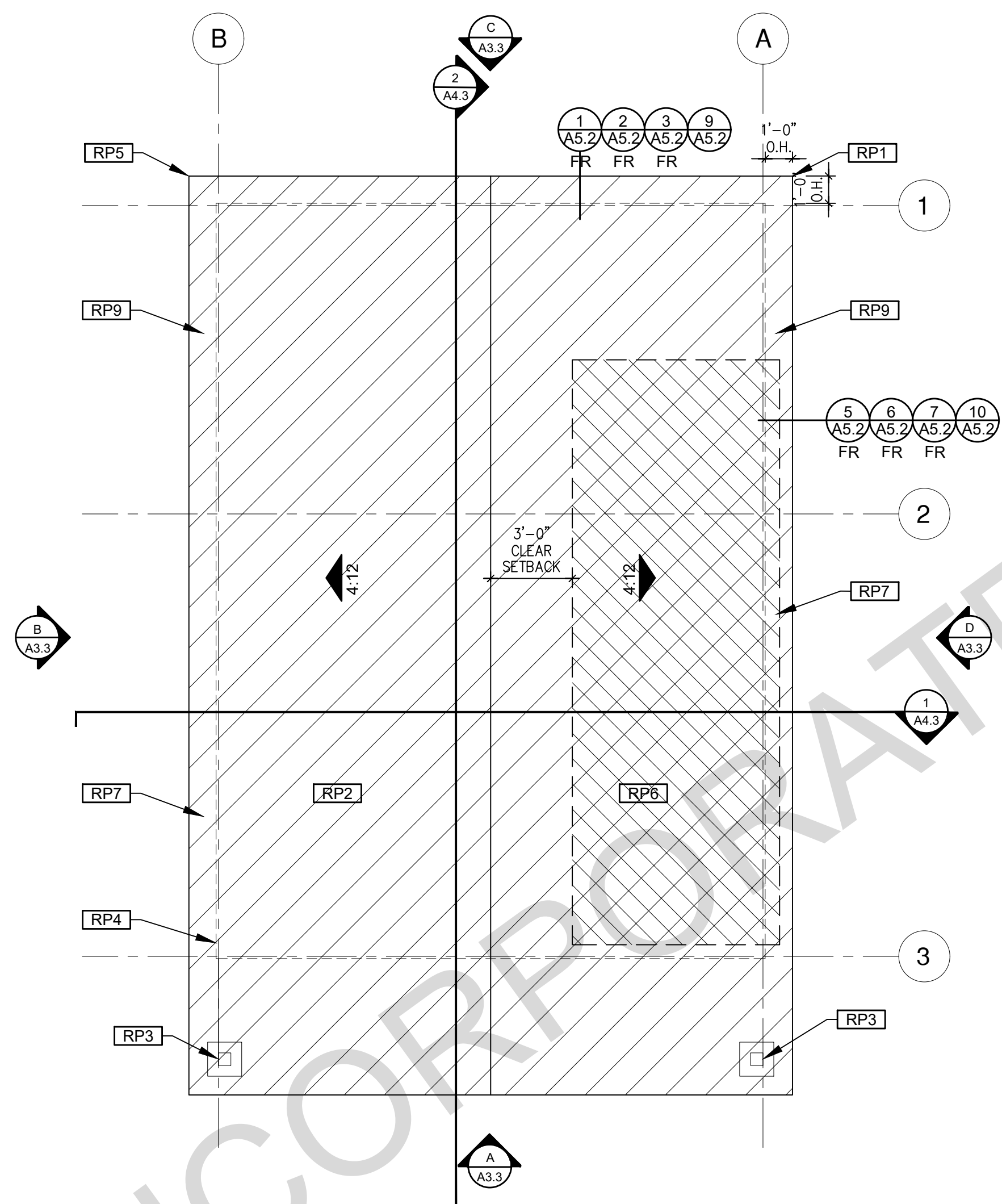
drawn by DESIGN PATH STUDIO

sheet no.

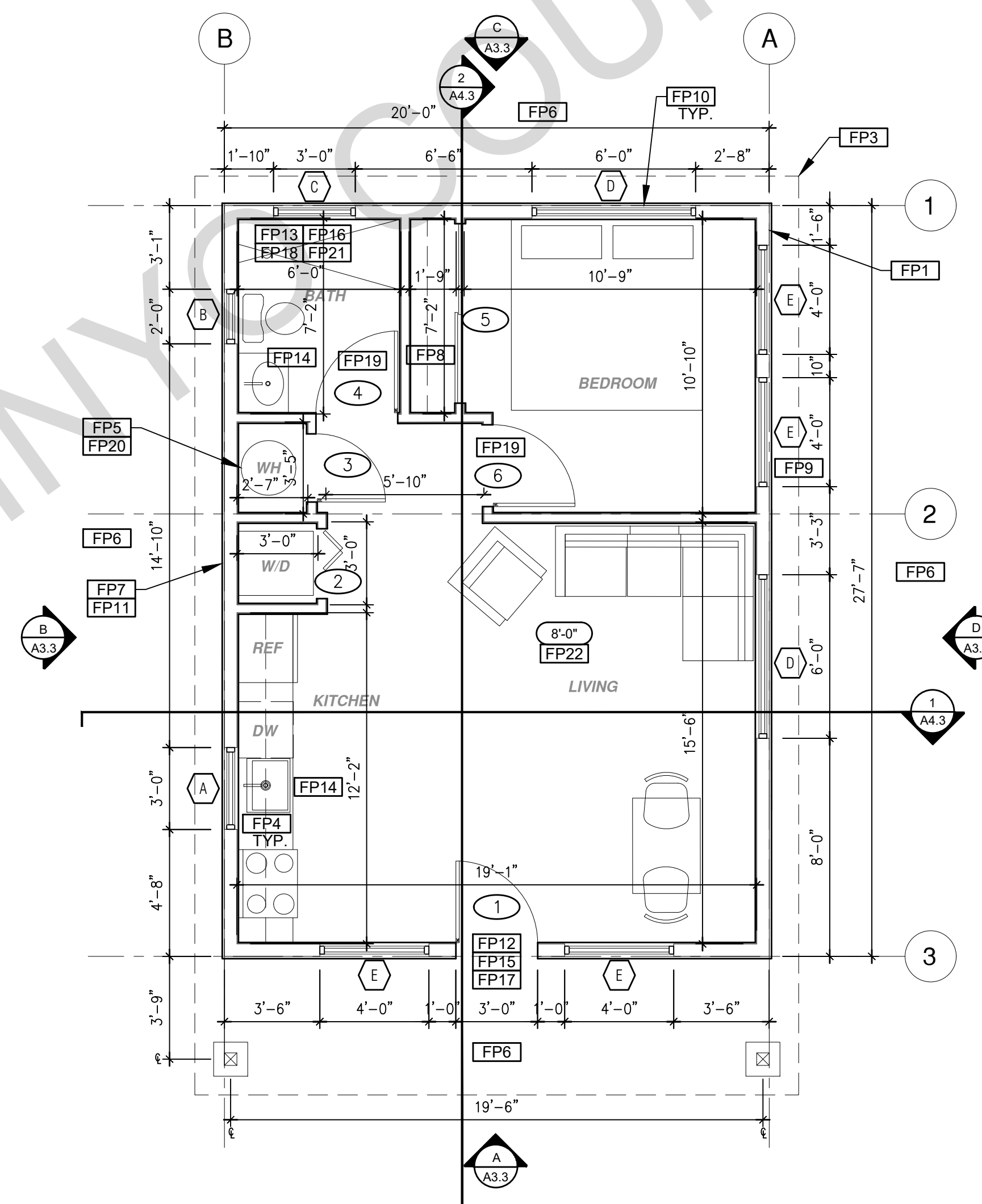
A1.2

ROOF KEYNOTES	FLOOR PLAN KEYNOTES	SOLAR READY NOTES	LEGEND
<p>RP1 LINE OF ROOF OVERHANG</p> <p>RP2 CLASS A ROOFING MATERIAL. SEE GENERAL ROOF NOTE 13 ON SHEET G0.2</p> <p>RP3 SUPPORT POST BELOW</p> <p>RP4 LINE OF WALLS BELOW</p> <p>RP5 ROOF DOWNSPOUT LOCATION TO BE DETERMINED BY SITE SPECIFIC CONDITIONS</p> <p>RP6 DESIGNATED SOLAR PANEL AREA. PLEASE SEE SOLAR READY NOTES ON THIS SHEET</p> <p>RP7 RAFTER VENTS TO MEET REQUIRED VENTILATION AREA FOR ENCLOSED RAFTER SPACES. MAX 1/4", MIN 3/8" OPENING SIZE ON VENT SCREEN WITH CORROSION-RESISTANT WIRE SCREEN MATERIAL. 1 SF OF VENTING PER 150 SF OF ENCLOSED RAFTER AREA IN NON-FIRE RATED CONSTRUCTION PLEASE SEE VENTING CALCULATIONS ON THIS SHEET</p> <p>RP8 CEILING JOISTS PERMITTED TO BE REMOVED AND INSULATION SPECIFICATIONS TO BE MODIFIED AT SITE SPECIFIC LOCATIONS WHERE ENERGY COMPLIANCE ANALYSIS ALLOWS.</p> <p>RP9 ROOF GUTTERS OF A NON-COMBUSTIBLE MATERIAL SHALL BE PROVIDED WITH THE MEANS TO PREVENT THE ACCUMULATION OF LEAVES AND DEBRIS IN THE GUTTER.</p>	<p>FP1 STUD WALL SIZE PER STRUCTURAL</p> <p>FP2 2X6 STUD WALL OR FURRING AS NEEDED FOR MECHANICAL / PLUMBING / VENTING</p> <p>FP3 LINE OF OVERHANG ABOVE</p> <p>FP4 36" HIGH COUNTER</p> <p>FP5 WATER HEATER</p> <p>FP6 SLOPE SURFACE AWAY FROM BUILDING</p> <p>FP7 DRYER VENT TERMINATION ON EXTERIOR WALL TO BE A MINIMUM OF 3 FT FROM ANY OPENING</p> <p>FP8 CLOSET SHELF AND POLE</p> <p>FP9 EMERGENCY EGRESS WINDOW</p> <p>FP10 WINDOW MUST HAVE A FRAME AND SASH COMPRISED OF WELDED CORNERS, METAL REINFORCEMENT IN THE INTERLOCK AREA, AND CONSTRUCTED OF MULTIPANE TEMPERED GLAZING WHERE INDICATED TYPICAL ALL WINDOWS</p> <p>FP11 VENT DRYER THROUGH WALL. SEE MECHANICAL / PLUMBING PLANS FOR FURTHER INFORMATION</p> <p>FP12 MIN. 1 HINGED ENTRY DOOR FOR EGRESS COMPLIANCE REQUIRED - THE EGRESS DOOR SHALL BE SIDE-HINGED AND SHALL PROVIDE A CLEAR WIDTH OF NOT LESS THAN 32 INCHES WHERE MEASURED BETWEEN THE FACE OF THE DOOR AND THE STOP, WITH THE DOOR OPEN 90°. THE CLEAR HEIGHT OF THE DOOR OPENING SHALL BE NOT LESS THAN 78 INCHES IN HEIGHT MEASURED FROM THE TOP OF THE THRESHOLD TO THE BOTTOM OF THE STOP</p> <p>FP13 SHOWER ENCLOSURE MUST BE TEMPERED. GLAZING IN THE WALLS/DOORS FACING OR CONTAINING BATHTUBS, SHOWERS, HOT TUBS, SPAS, WHIRLPOOLS, SAUNAS, STEAM ROOMS AND INDOOR/OUTDOOR SWIMMING POOLS WHERE THE BOTTOM EXPOSED EDGE OF THE GLAZING IS LESS THAN 60" ABOVE THE STANDING SURFACE. EXCEPTION: GLAZING THAT IS MORE THAN 60" MEASURED HORIZONTALLY, FROM THE WATER'S EDGE OF A BATHTUB, HOT TUB, SPA, WHIRLPOOL OR SWIMMING POOL. SHOWER DOORS SHALL OPEN AS TO MAINTAIN NOT LESS THAN A 22-INCH UNOBSTRUCTED OPENING FOR EGRESS.</p> <p>FP14 PER SECTION 301.1.1 CALGREEN AND CIVIL CODE (101.3)(c), ALL PLUMBING FIXTURES SHALL BE COMPLIANT WATER-CONSERVING PLUMBING FIXTURES. SEE MECHANICAL / PLUMBING PLANS FOR FURTHER INFORMATION</p> <p>FP15 LANDING OR FLOOR REQUIRED AT EACH SIDE OF EXTERIOR DOOR. WIDTH TO BE NOT LESS THAN THE DOOR SERVED AND HAVE A MIN 36 INCH DEPTH MEASURED IN THE DIRECTION OF TRAVEL. EXTERIOR LANDINGS SHALL BE PERMITTED TO HAVE A SLOPE NOT TO EXCEED 2" PER FOOT. LANDINGS OR FINISHED FLOORS AT EGRESS DOOR SHALL NOT BE MORE THAN 1.5" LOWER THAN THE TOP OF THE THRESHOLD FOR OUTWARD SWINGING DOORS OR 7.75" FOR DOORS THAT DO NOT SWING OUTWARD.</p> <p>FP16 WALL COVERING SHALL BE CEMENT PLASTER, TILE OR APPROVED EQUAL TO 72" ABOVE DRAIN AT SHOWERS OR TUB WITH SHOWERS. MATERIALS USED AS BACKERS FOR WALL TILE IN TUBE AND REINFORCED GYPSUM PANELS, NON-ASBESTOS FIBER CEMENT BACKER BOARD, OR NON-ASBESTOS FIBER CEMENT REINFORCED CEMENTITIOUS BACKER UNITS INSTALLED IN ACCORDANCE WITH MANUFACTURERS' RECOMMENDATIONS.</p> <p>FP17 DOOR BELL BUTTON TO BE NO MORE THAN 48" ABOVE EXTERIOR FLOOR OR LANDING</p> <p>FP18 WATER CLOSET AND SHOWER TO HAVE REINFORCEMENT IN WALLS 2X8 NOMINAL AT 32" TO 39.5" ABOVE FINISH FLOOR. SEE FLOOR PLAN GENERAL NOTE #28 ON SHEET G0.2 FOR FURTHER INFORMATION. WHERE THE WATER CLOSET IS NOT PLACED ADJACENT TO A SIDE WALL CAPABLE OF ACCOMMODATING A GRAB BAR, THE BATHROOM SHALL HAVE PROVISIONS FOR INSTALLATION OF FLOOR-MOUNTED, FOLDAWAY OR SIMILAR ALTERNATE GRAB BAR REINFORCEMENTS APPROVED BY THE ENFORCING AGENCY.</p> <p>FP19 DOOR TO HAVE A NET CLEAR OPENING OF 32"</p> <p>FP20 DESIGNATED 2'-6" x 2'-6" x 7' TALL MINIMUM AREA FOR INSTALLATION OF AN ELECTRIC HYBRID HEAT PUMP WATER HEATER PER CEC 2022 SECTION 150.0(N)</p> <p>FP21 FURRING AS NEEDED FOR STANDARD TUB AND SHOWER LENGTH</p> <p>FP22 CEILING JOIST REQUIRED IN CLIMATE ZONE 16 TO REACH INSULATION REQUIREMENTS. ALL OTHER CLIMATE ZONES DO NOT REQUIRE CEILING JOISTS AND MAY HAVE VAULTED CEILINGS. REFER TO TITLE 24 CALCULATION REPORTS.</p>	<p>SOLAR READY ROOF AREA: MIN DIMENSION > 5FT. MIN. SF > 80SF. PER CALIFORNIA ENERGY CODE SECTION 110.10(b)</p> <p>THE SOLAR ZONE SHALL COMPLY WITH ACCESS, PATHWAY, SMOKE VENTILATION, AND SPACING REQUIREMENTS AS SPECIFIED IN TITLE 24, PART 9 OR OTHER PARTS OF TITLE 24 OR IN ANY REQUIREMENTS ADOPTED BY LOCAL JURISDICTION</p> <p>SINGLE FAMILY RESIDENCE. THE SOLAR ZONE SHALL BE LOCATED ON THE ROOF OR OVERHANG OF THE BUILDING AND HAVE A TOTAL AREA OF NO LESS THAN 250SQFT.</p> <p>FOR PHOTOVOLTAIC ARRAYS OCCUPYING NOT MORE THAN 33 PERCENT OF THE PLAN VIEW TOTAL ROOF AREA, NOT LESS THAN AN 18-INCH (457 MM) CLEAR SETBACK IS REQUIRED ON BOTH SIDES OF A HORIZONTAL RIDGE. FOR PHOTOVOLTAIC ARRAYS OCCUPYING MORE THAN 33 PERCENT OF THE PLAN VIEW TOTAL ROOF AREA, NOT LESS THAN A 36-INCH (914 MM) CLEAR SETBACK IS REQUIRED ON BOTH SIDES OF A HORIZONTAL RIDGE.</p> <p>CAPACITY OF THE PV SYSTEMS PER THE CF1R-PRF: _____</p> <p>VENTING CALCULATIONS</p> <p>ROOF VENTING: 1SF. OF ROOF VENTING PER 150 SF. OF ENCLOSED AREA OR ENCLOSED RAFTER AREA. ENCLOSED RAFTER AREA: 558_SF. VENTILATION AREA REQUIRED: 558_SF / 150SF = 3.72_SF. CONVERT TO SQ. IN. 3.72_SF x 144 = 536 SQ. IN. MINIMUM VENTILATION AREA REQUIRED: 536 SQ. IN.</p>	<p> SECTION CUT</p> <p> ELEVATION CALLOUT</p> <p> DETAIL DRAWING REF.</p> <p> WALL BELOW OR ROOF ABOVE</p> <p> SOLAR ZONE. REFER TO SOLAR NOTES ON SHEET G0.2</p> <p> ROOFING</p> <p> KEYNOTE</p> <p> DOOR SYMBOL: SEE SHEET A0.1 FOR DOOR SCHEDULE</p> <p> WINDOW SYMBOL: SEE SHEET A0.1 FOR WINDOW SCHEDULE</p> <p> CEILING HEIGHTS</p> <p> VAULTED CEILING</p> <p> ROOF SLOPE</p>

BY USING THESE PERMIT READY CONSTRUCTION DOCUMENTS, THE RECIPIENT ACKNOWLEDGES, ACCEPTS AND VOLUNTARILY AFFIRMS THE FOLLOWING CONDITIONS:
1. THE USE OF THIS INFORMATION IS RESTRICTED TO THE ORIGINAL PROJECT FOR WHICH IT WAS PREPARED FOR THE PERMIT READY ACCESSORY DWELLING UNIT (ADU) PROGRAM FOR THE COUNTY OF INYO ONLY. THIS IS A LIMITED SET OF STANDARDIZED ADU PLANS AND SPECIFICATIONS APPROVED BY THE COUNTY OF INYO BUILDING DEPARTMENT. BUILDING CODES DO CHANGE OVER TIME AND RECIPIENT SHALL ENSURE FULL COMPLIANCE UNDER ALL CODES THEN IN EFFECT AT THE TIME OF THE SUBJECT PERMIT. THIS DOES NOT ELIMINATE OR REDUCE THE RECIPIENT'S RESPONSIBILITY TO VERIFY ANY AND ALL INFORMATION RELEVANT TO THE RECIPIENT'S WORK AND RESPONSIBILITY ON THIS PROJECT. DESIGN PATH STUDIO SHALL NOT BE RESPONSIBLE FOR TRANSLATION ERRORS. DO NOT USE THESE CONSTRUCTION DOCUMENTS IF THE PERMIT HAS EXPIRED OR IS REVOKED AT ALL.
2. THE RECIPIENT RECOGNIZES AND ACKNOWLEDGES THAT THE USE OF THIS INFORMATION WILL BE AT THEIR SOLE RISK AND WITHOUT ANY LIABILITY OR LEGAL EXPOSURE TO DESIGN PATH STUDIO. NO WARRANTIES OF ANY NATURE, WHETHER EXPRESS OR IMPLIED, SHALL ATTACH TO THESE DOCUMENTS AND THE INFORMATION CONTAINED THEREON. ANY USE, REUSE, OR ALTERATION OF THESE DOCUMENTS BY THE RECIPIENT OR BY OTHERS WILL BE AT THE RECIPIENT'S RISK AND FULL LEGAL RESPONSIBILITY. FURTHERMORE, THE RECIPIENT WILL, TO THE FULLEST EXTENT PERMITTED BY LAW, DEFEND, INDEMNIFY AND HOLD DESIGN PATH STUDIO AND ITS ARCHITECTS HARMLESS FROM ANY AND ALL CLAIMS, SUITS, LIABILITY, DEMANDS, JUDGMENTS, OR COSTS ARISING OUT OF OR RESULTING THERE FROM ANY USE OF THESE CONSTRUCTION DOCUMENTS FOR OR ON ACCOUNT OF ANY INJURY, DEATH, DAMAGE OR LOSS TO PERSONS OR PROPERTY, DIRECT OR CONSEQUENTIAL DAMAGES IN ANY AMOUNT. THIS INDEMNITY DOES NOT APPLY TO THE SOLE NEGLIGENCE OR WILLFUL MISCONDUCT OF DESIGN PATH STUDIO OR ITS ARCHITECTS.
3. THE DESIGNS REPRESENTED BY THESE PLANS ARE COPYRIGHTED AND ARE SUBJECT TO COPYRIGHT PROTECTION.
4. IF THE RECIPIENT DOES NOT AGREE WITH THE ABOVE CONDITIONS, DO NOT PROCEED WITH CONSTRUCTION OF AN ADU OR OTHER IMPROVEMENT UNDER THESE PLANS AT ALL.



ROOF PLAN
1/4"=1'-0" 558 SQ. FT. TRADITIONAL



FLOOR PLAN
1/4"=1'-0" 558 SQ. FT. TRADITIONAL

ROOF KEYNOTES	FLOOR PLAN KEYNOTES	SOLAR READY NOTES	LEGEND
<p>RP1 LINE OF ROOF OVERHANG</p> <p>RP2 CLASS A ROOFING MATERIAL. SEE GENERAL ROOF NOTE 13 ON SHEET G0.2</p> <p>RP3 SUPPORT POST BELOW</p> <p>RP4 LINE OF WALLS BELOW</p> <p>RP5 ROOF DOWNSPOUT LOCATION TO BE DETERMINED BY SITE SPECIFIC CONDITIONS</p> <p>RP6 DESIGNATED SOLAR PANEL AREA. PLEASE SEE SOLAR READY NOTES ON THIS SHEET</p> <p>RP7 RAFTER VENTS TO MEET REQUIRED VENTILATION AREA FOR ENCLOSED RAFTER SPACES. MAX 1/4", MIN 3/8" OPENING SIZE ON VENT SCREEN WITH CORROSION-RESISTANT WIRE SCREEN MATERIAL. 1 SF OF VENTING PER 150 SF OF ENCLOSED RAFTER AREA IN NON-FIRE RATED CONSTRUCTION PLEASE SEE VENTING CALCULATIONS ON THIS SHEET</p> <p>RP8 CEILING JOISTS PERMITTED TO BE REMOVED AND INSULATION SPECIFICATIONS TO BE MODIFIED AT SITE SPECIFIC LOCATIONS WHERE ENERGY COMPLIANCE ANALYSIS ALLOWS.</p> <p>RP9 ROOF GUTTERS OF A NON-COMBUSTIBLE MATERIAL SHALL BE PROVIDED WITH THE MEANS TO PREVENT THE ACCUMULATION OF LEAVES AND DEBRIS IN THE GUTTER.</p>	<p>FP1 STUD WALL SIZE PER STRUCTURAL</p> <p>FP2 2X6 STUD WALL OR FURRING AS NEEDED FOR MECHANICAL / PLUMBING / VENTING</p> <p>FP3 LINE OF OVERHANG ABOVE</p> <p>FP4 36" HIGH COUNTER</p> <p>FP5 WATER HEATER</p> <p>FP6 SLOPE SURFACE AWAY FROM BUILDING</p> <p>FP7 DRYER VENT TERMINATION ON EXTERIOR WALL TO BE A MINIMUM OF 3 FT FROM ANY OPENING</p> <p>FP8 CLOSET SHELF AND POLE</p> <p>FP9 EMERGENCY EGRESS WINDOW</p> <p>FP10 WINDOW MUST HAVE A FRAME AND SASH COMPRISED OF WELDED CORNERS, METAL REINFORCEMENT IN THE INTERLOCK AREA, AND CONSTRUCTED OF MULTIPANE TEMPERED GLAZING WHERE INDICATED TYPICAL ALL WINDOWS</p> <p>FP11 VENT DRYER THROUGH WALL. SEE MECHANICAL / PLUMBING PLANS FOR FURTHER INFORMATION</p> <p>FP12 MIN. 1 HINGED ENTRY DOOR FOR EGRESS COMPLIANCE REQUIRED - THE EGRESS DOOR SHALL BE SIDE-HINGED AND SHALL PROVIDE A CLEAR WIDTH OF NOT LESS THAN 32 INCHES WHERE MEASURED BETWEEN THE FACE OF THE DOOR AND THE STOP, WITH THE DOOR OPEN 90°. THE CLEAR HEIGHT OF THE DOOR OPENING SHALL BE NOT LESS THAN 78 INCHES IN HEIGHT MEASURED FROM THE TOP OF THE THRESHOLD TO THE BOTTOM OF THE STOP</p> <p>FP13 SHOWER ENCLOSURE MUST BE TEMPERED. GLAZING IN THE WALLS/DOORS FACING OR CONTAINING BATHTUBS, SHOWERS, HOT TUBS, SPAS, WHIRLPOOLS, SAUNAS, STEAM ROOMS AND INDOOR/OUTDOOR SWIMMING POOLS WHERE THE BOTTOM EXPOSED EDGE OF THE GLAZING IS LESS THAN 60" ABOVE THE STANDING SURFACE. EXCEPTION: GLAZING THAT IS MORE THAN 60" MEASURED HORIZONTALLY, FROM THE WATER'S EDGE OF A BATHTUB, HOT TUB, SPA, WHIRLPOOL OR SWIMMING POOL. SHOWER DOORS SHALL OPEN AS TO MAINTAIN NOT LESS THAN A 22-INCH UNOBSTRUCTED OPENING FOR EGRESS.</p> <p>FP14 PER SECTION 301.1.1 CALGREEN AND CIVIL CODE 1101.3(c), ALL PLUMBING FIXTURES SHALL BE COMPLIANT WATER-CONSERVING PLUMBING FIXTURES. SEE MECHANICAL / PLUMBING PLANS FOR FURTHER INFORMATION</p> <p>FP15 LANDING OR FLOOR REQUIRED AT EACH SIDE OF EXTERIOR DOOR. WIDTH TO BE NOT LESS THAN THE DOOR SERVED AND HAVE A MIN 36 INCH DEPTH MEASURED IN THE DIRECTION OF TRAVEL. EXTERIOR LANDINGS SHALL BE PERMITTED TO HAVE A SLOPE NOT TO EXCEED 2" PER FOOT. LANDINGS OR FINISHED FLOORS AT EGRESS DOOR SHALL NOT BE MORE THAN 1.5" LOWER THAN THE TOP OF THE THRESHOLD FOR OUTWARD SWINGING DOORS OR 7.75" FOR DOORS THAT DO NOT SWING OUTWARD.</p> <p>FP16 WALL COVERING SHALL BE CEMENT PLASTER, TILE OR APPROVED EQUAL TO 72" ABOVE DRAIN AT SHOWERS OR TUB WITH SHOWERS. MATERIALS USED AS BACKERS FOR WALL TILE IN TUBE AND REINFORCED GYPSUM PANELS, NON-ASBESTOS FIBER CEMENT BACKER BOARD, OR NON-ASBESTOS FIBER CEMENT REINFORCED CEMENTITIOUS BACKER UNITS INSTALLED IN ACCORDANCE WITH MANUFACTURERS' RECOMMENDATIONS.</p> <p>FP17 DOOR BELL BUTTON TO BE NO MORE THAN 48" ABOVE EXTERIOR FLOOR OR LANDING</p> <p>FP18 WATER CLOSET AND SHOWER TO HAVE REINFORCEMENT IN WALLS 2X8 NOMINAL AT 32" TO 39.5" ABOVE FINISH FLOOR. SEE FLOOR PLAN GENERAL NOTE #28 ON SHEET G0.2 FOR FURTHER INFORMATION. WHERE THE WATER CLOSET IS NOT PLACED ADJACENT TO A SIDE WALL CAPABLE OF ACCOMMODATING A GRAB BAR, THE BATHROOM SHALL HAVE PROVISIONS FOR INSTALLATION OF FLOOR-MOUNTED, FOLD-AWAY OR SIMILAR ALTERNATE GRAB BAR REINFORCEMENTS APPROVED BY THE ENFORCING AGENCY.</p> <p>FP19 DOOR TO HAVE A NET CLEAR OPENING OF 32"</p> <p>FP20 DESIGNATED 2'-6" x 2'-6" x 7' TALL MINIMUM AREA FOR INSTALLATION OF AN ELECTRIC HYBRID HEAT PUMP WATER HEATER PER CEC 2022 SECTION 150.0(N)</p> <p>FP21 FURRING AS NEEDED FOR STANDARD TUB AND SHOWER LENGTH</p> <p>FP22 CEILING JOIST REQUIRED IN CLIMATE ZONE 16 TO REACH INSULATION REQUIREMENTS. ALL OTHER CLIMATE ZONES DO NOT REQUIRE CEILING JOISTS AND MAY HAVE VAULTED CEILINGS. REFER TO TITLE 24 CALCULATION REPORTS.</p>	<p>SOLAR READY ROOF AREA: MIN DIMENSION > 5FT. MIN. SF. > 80SF. PER CALIFORNIA ENERGY CODE SECTION 110.10(b)</p> <p>THE SOLAR ZONE SHALL COMPLY WITH ACCESS, PATHWAY, SMOKE VENTILATION, AND SPACING REQUIREMENTS AS SPECIFIED IN TITLE 24, PART 9 OR OTHER PARTS OF TITLE 24 OR IN ANY REQUIREMENTS ADOPTED BY LOCAL JURISDICTION</p> <p>SINGLE FAMILY RESIDENCE. THE SOLAR ZONE SHALL BE LOCATED ON THE ROOF OR OVERHANG OF THE BUILDING AND HAVE A TOTAL AREA OF NO LESS THAN 250SQFT.</p> <p>FOR PHOTOVOLTAIC ARRAYS OCCUPYING NOT MORE THAN 33 PERCENT OF THE PLAN VIEW TOTAL ROOF AREA, NOT LESS THAN AN 18-INCH (457 MM) CLEAR SETBACK IS REQUIRED ON BOTH SIDES OF A HORIZONTAL RIDGE. FOR PHOTOVOLTAIC ARRAYS OCCUPYING MORE THAN 33 PERCENT OF THE PLAN VIEW TOTAL ROOF AREA, NOT LESS THAN A 36-INCH (914 MM) CLEAR SETBACK IS REQUIRED ON BOTH SIDES OF A HORIZONTAL RIDGE.</p> <p>CAPACITY OF THE PV SYSTEMS PER THE CF1R-PRF: _____</p> <p>VENTING CALCULATIONS</p> <p>ROOF VENTING: 1SF. OF ROOF VENTING PER 150 SF. OF ENCLOSED AREA OR ENCLOSED RAFTER AREA. ENCLOSED RAFTER AREA: 558_SF. VENTILATION AREA REQUIRED: 558_SF / 150SF = 3.72_SF. CONVERT TO SQ. IN. 3.72_SF x 144 = 536 SQ. IN. MINIMUM VENTILATION AREA REQUIRED: 536 SQ. IN.</p>	<p>SECTION CUT (Symbol: Roof section cut)</p> <p>ELEVATION CALLOUT (Symbol: Roof elevation callout)</p> <p>DETAIL DRAWING REF. (Symbol: Roof detail callout)</p> <p>WALL BELOW OR ROOF ABOVE (Symbol: Roof wall symbol)</p> <p>SOLAR ZONE. REFER TO SOLAR NOTES ON SHEET G0.2 (Symbol: Solar zone symbol)</p> <p>ROOFING (Symbol: Roofing symbol)</p> <p>KEYNOTE (Symbol: X in square)</p> <p>DOOR SYMBOL: SEE SHEET A0.1 FOR DOOR SCHEDULE (Symbol: X in circle)</p> <p>WINDOW SYMBOL: SEE SHEET A0.1 FOR WINDOW SCHEDULE (Symbol: X in hexagon)</p> <p>CEILING HEIGHTS (Symbol: X-X")</p> <p>VAULTED CEILING (Symbol: Varies)</p> <p>ROOF SLOPE (Symbol: X:12)</p>

project
County of Inyo
Pre-Approved
ADU/SFD Program

revisions
△
△
△
△
△

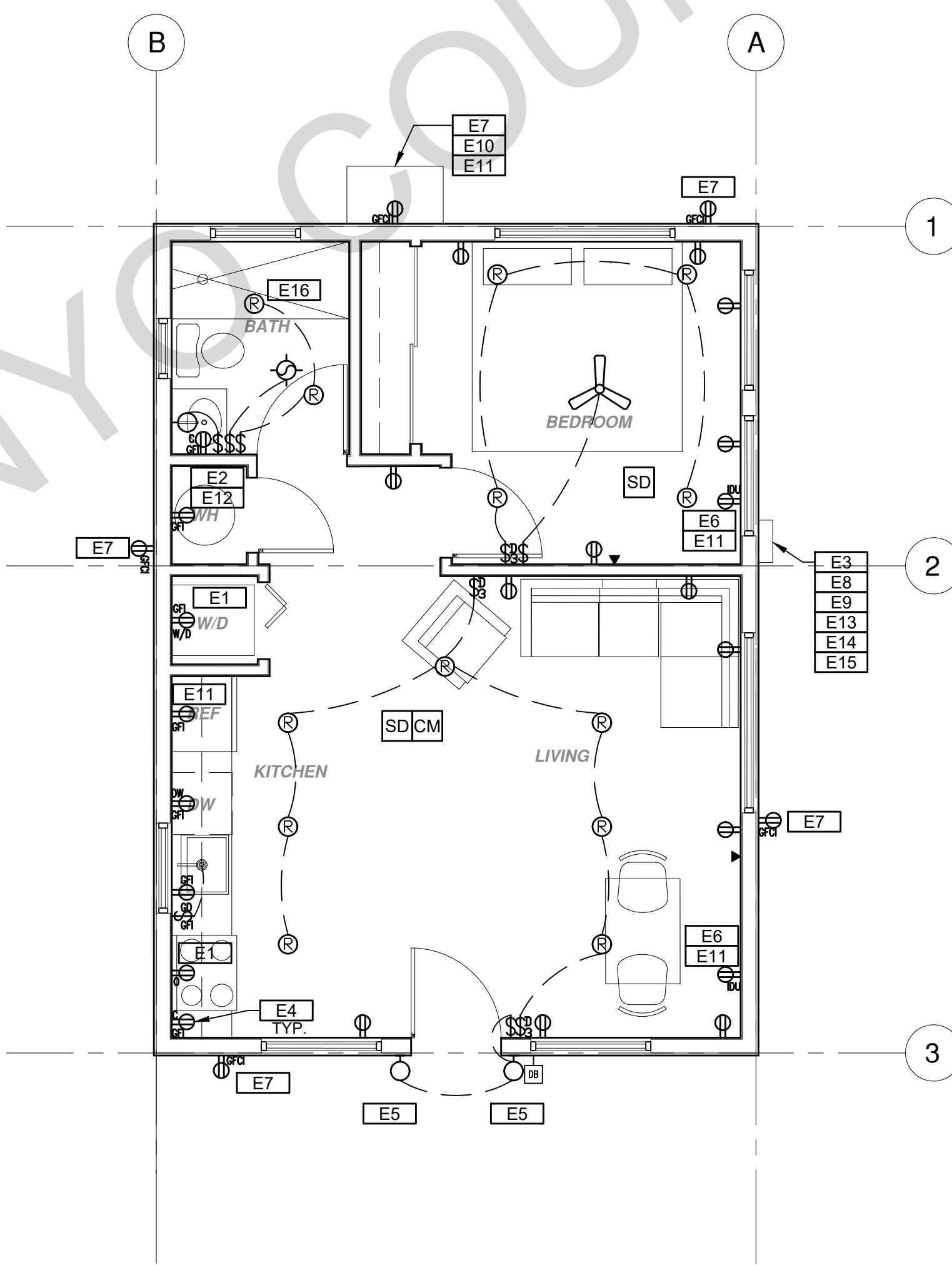
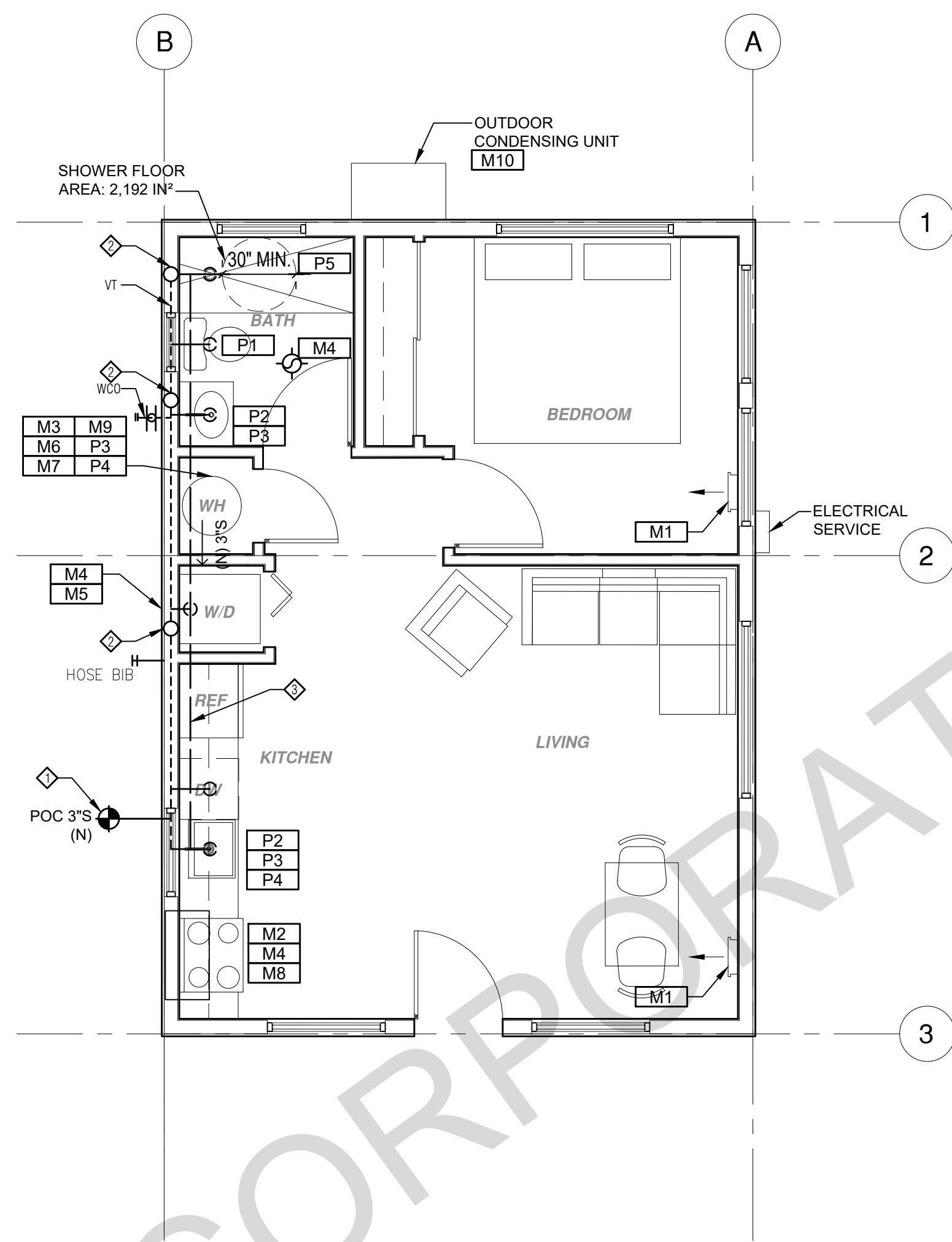
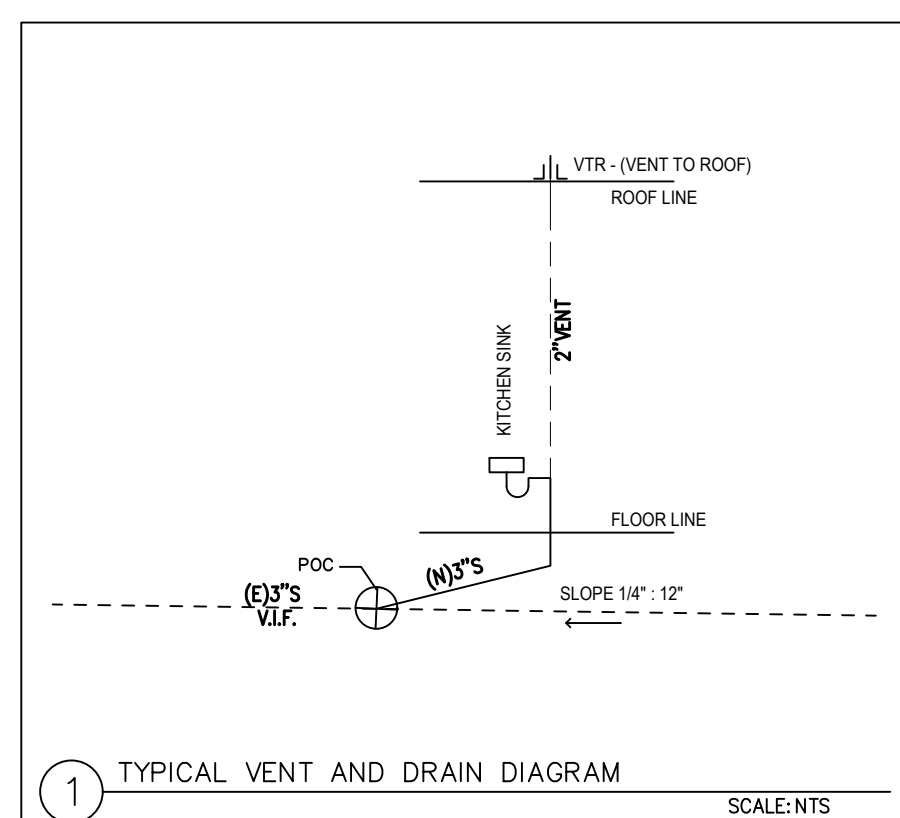
description
**Floor Plan
Roof Plan/
Traditional
1 Bedroom**

date 2024

project no. INYO COUNTY ADU/SFDs

drawn by DESIGN PATH STUDIO

sheet no. **A1.3**



PLUMBING LEGEND	
	FOR CONTINUATION SEE SITE PLAN
	2" VENT THRU ROOF
	3" SEWER PIPING DOWN THROUGH SLAB TO CONNECT TO SEWER PIPING ON SITE
UNLESS INDICATED OTHERWISE, ALL SEWER/WASTE LINES SHALL BE SLOPED AT 2% DROP. CONTRACTOR SHALL FIELD VERIFY AVAILABLE DEPTH FOR THE PROPOSED PIPE LAYOUT PRIOR TO START OF WORK. NO PIPES MAY SLOPE AT 1% UNLESS THAT ARE UPSIZED TO 4" REGARDLESS OF LOCATION.	
	HOSE BIB
SYMBOL LEGEND	
	S SEWER ABOVE & BELOW SLAB
	VT SANITARY VENT
	WCO WALL CLEAN-OUT
	POC POINT OF CONNECTION INTO EXIST. PIPING
	DIRECTION OF FLOW
	PIPE DOWN
	PIPE UP

MECHANICAL KEYNOTES	
M1	INDOOR UNIT MINI SPLIT SYSTEM.
M2	EXHAUST HOOD ABOVE/TO BE SMOOTH METALLIC INTERIOR SURFACE (CMC 504.3)
M3	NEW RHEEM PROP40-T2-RH975-30 40 GALLON ELECTRIC HEAT PUMP WATER HEATER OR EQUIVALENT - TO HAVE CONDENSATE DRAIN INSTALLED NO HIGHER THAN 2' ABOVE THE BASE OF THE HEATER THAT ALSO ALLOWS GRAVITY DRAINAGE.
M4	MINIMUM OF 3 FT CLEARANCE TO ANY OPENING INTO BUILDING FOR EXHAUST FAN TERMINATIONS
M5	DRYER EXHAUST OUTLET FROM DRYER TO EXTERIOR MAX LENGTH 14' WITH MAXIMUM OF TWO 90° ELBOWS EXHAUST VENT MUST TERMINATE A MIN. OF 3' FROM ANY OPENING. MIN. TYPE 1 CLOTHES DRYER EXHAUST DUCTS SHALL BE OF RIGID METAL & SHALL HAVE SMOOTH INTERIOR SURFACES. THE DIAMETER SHALL BE NOT LESS THAN 4 INCHES NOMINAL (100 MM), & THE THICKNESS SHALL BE NOT LESS THAN 0.016 OF AN INCH (0.406 MM). EXHAUST DUCTS & DRYER VENTS SHALL BE EQUIPPED WITH BACK DRAFT DAMPERS
M6	NEW WATER HEATER WITH T&P RELIEF VALVE AND DISCHARGE PIPE AT EXTERIOR. PROVIDE COMBUSTION AIR AND CLEARANCES PER MANUFACTURER REQUIREMENTS.
M7	NEW WATER HEATERS SHALL HAVE ISOLATION VALVES ON BOTH THE COLD AND HOT WATER PIPING LEAVING THE WATER HEATER COMPLETE WITH HOSE BIBS OR OTHER FITTINGS ON EACH VALVE FOR FLUSHING THE WATER HEATER WHEN THE VALVES ARE CLOSED
M8	A MINIMUM RATING HOOD OVER ELECTRICAL RANGE INDOOR AIR QUALITY FAN IS REQUIRED IN THE KITCHEN AND SHALL BE HERS VERIFIED PER CE TABLE 150.0-G-100) OR 65% C.E. AT $\le 750\text{ ft}^3\text{ OR }55\text{ CFM}$ AT 150-1000 c.f.m., 110 cfm OR 50% C.E. AT 1000-1500 c.f.m., OR 110 cfm OR 50% C.E. AT $\le 500\text{ ft}^3$
M9	WATER HEATERS WITH STORAGE TANKS SHALL BE ANCHORED OR STRAPPED TO RESIST HORIZONTAL DISPLACEMENT DUE TO EARTHQUAKE MOTION. STRAPPING SHALL BE AT POINTS WITH THE UPPER ONE-THIRD AND LOWER ONE-THIRD OF ITS TYPICAL DIMENSIONS. AT THE LOWER POINT, A MIN. DISTANCE OF 4 IN. SHALL BE MAINTAINED ABOVE THE CONTROLS WITH THE STRAPPING.
M10	OUTDOOR CONDENSING UNIT TO BE PIPED TO INDOOR HVAC UNIT

PLUMBING KEYNOTES	
P1	CLEARANCE FOR WATER CLOSET TO BE A MIN. OF 24" IN FRONT AND 15" FROM ITS CENTER TO ANY SIDE WALL OR OBSTRUCTION. (CPC 402.5)
P2	WATER CONSERVING FIXTURES: NEW WATER CLOSETS SHALL USE NO MORE THAN 1.28 GAL. OF WATER PER FLUSH. LAVATORIES LIMITED TO 0.5 GPM. KITCHEN FAUCETS NOT TO EXCEED 1.8 GPM AT 60 PSI AND ALL SHALL EXCEED 2.2 GALLONS PER MIN. AT 80 PSI AND MUST DEFAULT TO A MAX. FLOW RATE OF 1.8 GALLONS PER MIN AT 80 PSI. AND SHOWERS NOT EXCEED 1.8 GPM AT 80 PSI AND ALL SHALL BE CERTIFIED TO MEET THE PERFORMANCE CRITERIA OF THE EPA WATERSENSE SPECIFICATIONS FOR SHOWERHEADS. CPC SECTIONS 407, 408, 411, 412 AND SECTION 301.1.1 CALGREEN CODE AND CIVIL CODE 1101.3(c)
P3	ALL DOMESTIC HOT WATER PIPING TO HAVE THE FOLLOWING MINIMUM INSULATION INSTALLED: 1/2" PIPE (2" INSULATION) 3/4" PIPE (1" INSULATION) 1" TO 1-1/2" PIPE (1-1/2" INSULATION)
P4	THE 1/2" SIZE HOT WATER PIPE TO THE KITCHEN SINK AND THE COLD WATER PIPE WITHIN 9' OF WATER HEATER BOTH REQUIRE 1" INSULATION
P5	CONTROL VALVES IN SHOWERS, BATHUBS, & BIETS MUST BE PRESSURE BALANCED OR THERMOSTATIC MIX VALVES

ELECTRICAL KEYNOTES	
E1	DEDICATED 30 AMP 240V POWER FOR ELECTRIC DRYER OR OVEN. VERIFY REQUIREMENTS WITH APPLIANCE SPECIFICATIONS - ELECTRIC COOKTOP READY REQUIREMENTS ARE TO BE IMPLEMENTED. SEE SHEET G02. ELECTRIC READY 150 (0) FOR REQUIREMENTS
E2	OUTLET FOR NEW ELECTRIC HYBRID HEAT PUMP WATER HEATER WITHIN 3' OF WATER AREA
E3	SUBPANEL LOCATION. ALTERNATE LOCATION TO BE DETERMINED BY OWNER
E4	OUTLET AT COUNTER HEIGHT SHALL COMPLY WITH CEC ARTICLE 210.52(C). IN KITCHENS A RECEPTACLE OUTLET SHALL BE INSTALLED AT EACH COUNTER SPACE 12" OR WIDER. SHALL BE INSTALLED SO THAT NO POINT ALONG THE WALL IS MORE THAN 24" ISLAND IN PENINSULAR COUNTERTOPS 12" X 24" LONG (OR GREATER) SHALL HAVE AT LEAST ONCE RECEPTACLE
E5	OUTDOOR LIGHTING FIXTURES ARE REQUIRED TO BE HIGH EFFICACY OR CONTROLLED BY A COMBINATION PHOTOCONTROL / MOTION SENSOR.
E6	OUTLET DEDICATED FOR INDOOR HVAC UNIT
E7	WEATHER RESISTANT TYPE RECEPTACLES GFCI PROTECTED
E8	OVER-CURRENT FEEDER TO EXTEND TO EXISTING PANEL. ALUMINUM CONDUCTOR BURIED UNDER GROUND WITH AWG ALLOWABLE VOLTAGE DROP PER CEC 250.4
E9	SEPARATE GROUND ELECTRODE SYSTEM PER CEC 250.4

MECHANICAL LEGEND	
	EXHAUST FAN: MINIMUM 50 CFM TO BE DUCTED TO THE EXTERIOR AND SHALL PROVIDE FIVE AIR CHANGES PER HOUR. SECTION 1203.3. CFM AND NOISE RATING MAXIMUM 3 SONE FOR INTERMITTENT USE. SHALL BE ENERGY STAR RATED AND CONTROLLED BY A HUMIDISTAT CAPABLE OF AN ADJUSTMENT BETWEEN 50-80% HUMIDITY. ONE OR MORE FANS TO OPERATE CONTINUOUSLY AT REQUIRED CFM PER HERS NOTES ON T1.10 OR GREATER TO PROVIDE INDOOR AIR QUALITY. AT THE IAQ FAN SWITCH. A LABEL CLEARLY DISPLAYING THE FOLLOWING OR EQUIVALENT TEXT IS REQUIRED: "THIS SWITCH CONTROLS THE INDOOR AIR QUALITY VENTILATION FOR THE HOME. LEAVE IT ON UNLESS THE OUTDOOR AIR QUALITY IS VERY POOR. DUCT SYSTEMS ARE SIZED, DESIGNED AND EQUIPMENT IS SELECTED USING THE FOLLOWING METHODS: 1. ESTABLISH HEAT LOSS AND HEAT GAIN VALUES ACCORDING TO ANSI/ACCA 2 MANUAL J-2011 OR EQUIVALENT. 2. SIZE DUCT SYSTEMS ACCORDING TO ANSI/ACCA 1 MANUEL D-2014 OR EQUIVALENT. 3. SELECT HEATING AND COOLING EQUIPMENT ACCORDING TO ANSI/ACCA 3 MANUAL S-2014 OR EQUIVALENT.
	RETURN AIR GRILLE, WALL MOUNTED
	SUPPLY AIR DIFFUSER, WALL MOUNTED
	THERMOSTAT

ELECTRICAL LEGEND	
	SMOKE DETECTORS PER SECTION R314 DETECTORS SHALL BE PERMANENTLY WIRED WITH BATTERY BACKUP. SOUND AN ALARM AUDIBLE IN ALL SLEEPING AREAS. ALARM DEVICES SHALL BE INTERCONNECTED IN SUCH A MANNER THAT THE ACTUATION OF ONE ALARM WILL ACTIVATE ALL OF THE ALARMS IN THE UNIT. SHALL COMPLY WITH THE FOLLOWING: • AT LEAST 3' FROM THE TIP OF THE BLADE OF A CEILING-MOUNTED FAN • NOT LESS THAN 3' FROM THE DOOR OPENING OF A BATHROOM • AT LEAST 20" FROM A COOKING APPLIANCE OR 10" FROM COOKING APPLIANCE WHEN THE ALARM IS AN IONIZING SMOKE ALARM PER NFPA 72 SECTION 29.8.3.4 ITEM 4 • AT LEAST 3' FROM SUPPLY REGISTERS OF A HEATING/COOLING SYSTEM
	POWER/DATA TAMPER RESISTANT RECEPTACLE WALL MOUNTED, 110 V DUPLEX U.O.N. GF = WATER PROOF GFCI CT = COOKTOP GRILL 240 V O = OVEN 240 V MW = MICROWAVE 110 V GD = GARBAGE DISPOSAL 110 V R = RANGE 220V C = COUNTER HEIGHT 6" ABV COUNTER IDU = INDOOR UNIT POWER 84" AFF W/D = WASHER/DRYER 30AMP 240AMP PHONE / DATA / MEDIA CEILING WATERPROOF OUTLET FLOOR MOUNTED DUPLEX RECEPTACLE, VERIFY LOCATION IN FIELD. SPECIAL PURPOSE CONNECTION (VOLTAGE SHALL MATCH APPLIANCE REQ.) SUB PANEL ALL OUTLETS NOT GFCI PROTECTED SHALL BE AFCI PROTECTED
	SWITCHING SWITCH, MOUNT AT 43" AFF THREE-WAY SWITCH FOUR-WAY SWITCH DIMMER SWITCH MOUNT 6" ABV COUNTER OCCUPANCY/VACANCY SENSOR MISC. CEILING FAN/LIGHT COMBO CIRCUIT WIRING DOOR BELL BUTTON
	LIGHTING CEILING, RECESSED, DIRECTIONAL ZERO CLEARANCE IC RATED LED BULB CEILING, RECESSED, ZERO CLEARANCE IC RATED LED BULB CEILING, RECESSED, ZERO CLEARANCE IC RATED, WATER RESISTANT, LED BULB WALL MOUNTED LIGHT JUNCTION BOX FLUSH CEILING MOUNTED UNDER COUNTER LIGHTING LOW VOLTAGE, LANDSCAPE LIGHT FLUORESCENT FIXTURE USE SHALLOW TYPE WHEN UNDER COUNTER
BATHROOM EXHAUST FAN REQUIREMENTS: PER CGBC 4.506.1 - EACH BATHROOM SHALL BE MECHANICALLY VENTILATED AND SHALL COMPLY WITH THE FOLLOWING: 1. FANS SHALL BE ENERGY STAR COMPLIANT AND BE DUCTED TO TERMINATE OUTSIDE THE BUILDING. 2. UNLESS FUNCTIONING AS A COMPONENT OF A WHOLE HOUSE VENTILATION SYSTEM, FANS MUST BE CONTROLLED BY A HUMIDITY CONTROL. A HUMIDITY CONTROLS SHALL BE CAPABLE OF ADJUSTMENT BETWEEN A RELATIVE HUMIDITY RANGE OF $\le 50\text{ to }80\text{ \%}$. A HUMIDITY CONTROL MAY UTILIZE MANUAL OR AUTOMATIC MEANS OF ADJUSTMENT. B. A HUMIDITY CONTROL MAY BE A SEPARATE COMPONENT TO EXHAUST FAN AND IS NOT REQUIRED TO BE INTEGRAL (I.E. BUILT IN)	
RESIDENTIAL ENERGY LIGHTING REQUIREMENTS: ES 150.0(A) *IN THE KITCHEN, AT LEAST ONE-HALF OF THE WATTAGE RATING OF THE FIXTURES MUST BE HIGH EFFICACY. *BATHROOMS, GARAGES, LAUNDRY ROOMS, UTILITY ROOMS AND WALK-IN CLOSETS, AT LEAST ONE INSTALLED LUMINAIRE SHALL BE CONTROLLED BY AN OCCUPANCY OR VACANCY SENSOR PROVIDING AUTOMATIC OFF FUNCTIONALITY. *ALL THROUGHOUT THE RESIDENCE, INCLUDING THE GARAGE AND EXTERIOR, SHALL BE HIGH EFFICACY.	

BY USING THESE PERMIT READY CONSTRUCTION DOCUMENTS, THE RECIPIENT ACKNOWLEDGES, ACCEPTS AND VOLUNTARILY AFFIRMS THE FOLLOWING CONDITIONS:
1. THE USE OF THIS INFORMATION IS RESTRICTED TO THE ORIGINAL PROJECT FOR WHICH IT WAS PREPARED FOR THE PERMIT READY ACCESSORY DWELLING UNIT (ADU) PROGRAM FOR THE COUNTY OF INYO ONLY. THIS IS A LIMITED SET OF STANDARDIZED ADU PLANS AND SPECIFICATIONS APPROVED BY THE COUNTY OF INYO BUILDING DEPARTMENT. BUILDING CODES DO CHANGE OVER TIME AND RECIPIENT SHALL ENSURE FULL COMPLIANCE UNDER ALL CODES THEN IN EFFECT AT THE TIME OF THE SUBJECT PERMIT. THIS DOES NOT ELIMINATE OR REDUCE THE RECIPIENT'S RESPONSIBILITY TO VERIFY ANY AND ALL INFORMATION RELEVANT TO THE RECIPIENT'S WORK AND RESPONSIBILITY ON THIS PROJECT. DESIGN PATH STUDIO SHALL NOT BE RESPONSIBLE FOR TRANSLATION ERRORS. DO NOT USE THESE CONSTRUCTION DOCUMENTS IF THE PERMIT HAS EXPIRED OR IS REVOKED AT ALL.
2. THE RECIPIENT RECOGNIZES AND ACKNOWLEDGES THAT THE USE OF THIS INFORMATION WILL BE AT THEIR SOLE RISK AND WITHOUT ANY LIABILITY OR LEGAL EXPOSURE TO DESIGN PATH STUDIO. NO WARRANTIES OF ANY NATURE, WHETHER EXPRESS OR IMPLIED, SHALL ATTACH TO THESE DOCUMENTS AND THE INFORMATION CONTAINED THEREON. ANY USE, REUSE, OR ALTERATION OF THESE DOCUMENTS BY THE RECIPIENT OR BY OTHERS WILL BE AT THE RECIPIENT'S RISK AND FULL LEGAL RESPONSIBILITY. FURTHERMORE, THE RECIPIENT WILL, TO THE FULLEST EXTENT PERMITTED BY LAW, DEFEND, INDEMNIFY AND HOLD DESIGN PATH STUDIO AND ITS ARCHITECTS HARMLESS FROM ANY AND ALL CLAIMS, SUITS, LIABILITY, DEMANDS, JUDGMENTS, OR COSTS ARISING OUT OF OR RESULTING THERE FROM ANY USE OF THESE CONSTRUCTION DOCUMENTS FOR OR ON ACCOUNT OF ANY INJURY, DEATH, DAMAGE OR LOSS TO PERSONS OR PROPERTY, DIRECT OR CONSEQUENTIAL DAMAGES IN ANY AMOUNT. THIS INDEMNITY DOES NOT APPLY TO THE SOLE NEGLIGENCE OR WILLFUL MISCONDUCT OF DESIGN PATH STUDIO OR ITS ARCHITECTS.
3. THE DESIGNS REPRESENTED BY THESE PLANS ARE COPYRIGHTED AND ARE SUBJECT TO COPYRIGHT PROTECTION.
4. IF THE RECIPIENT DOES NOT AGREE WITH THE ABOVE CONDITIONS, DO NOT PROCEED WITH CONSTRUCTION OF AN ADU OR OTHER IMPROVEMENT UNDER THESE PLANS AT ALL.

project
County of Inyo
Pre-Approved
ADU/SFD Program

revisions
△
△
△
△
△

description
Mechanical/
Plumbing/
Electrical
Plans

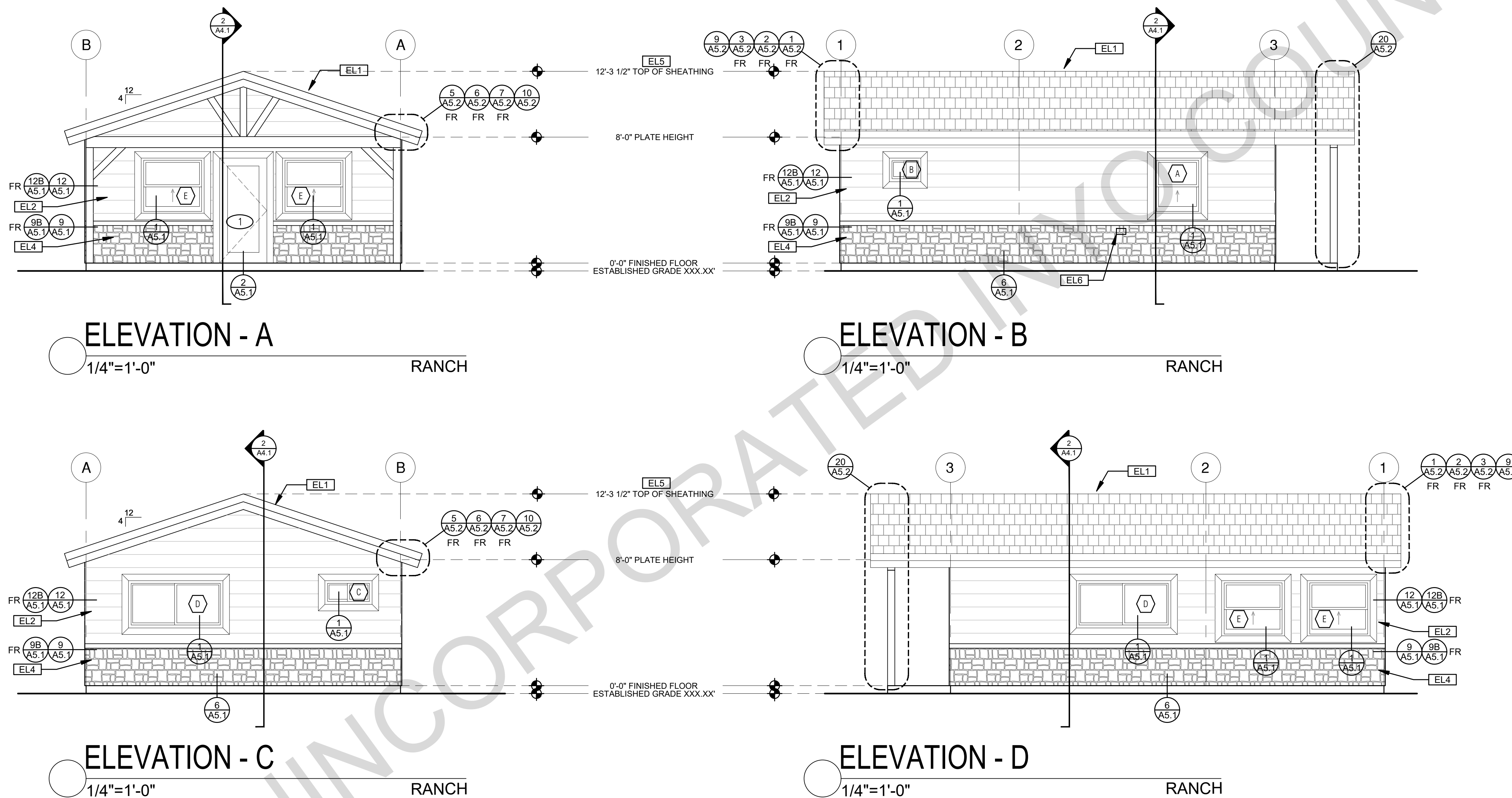
date 2024

project no. INYO COUNTY ADU/SFDs

drawn by DESIGN PATH STUDIO

sheet no.

A2.1



BY USING THESE PERMIT READY CONSTRUCTION DOCUMENTS, THE RECIPIENT ACKNOWLEDGES, ACCEPTS AND VOLUNTARILY AFFIRMS THE FOLLOWING CONDITIONS:
 1. THE USE OF THIS INFORMATION IS RESTRICTED TO THE ORIGINAL PROJECT FOR WHICH IT WAS PREPARED FOR THE PERMIT READY ACCESSORY DWELLING UNIT (ADU) PROGRAM FOR THE COUNTY OF INYO ONLY. THIS IS A LIMITED SET OF STANDARDIZED ADU PLANS AND SPECIFICATIONS APPROVED BY THE COUNTY OF INYO BUILDING DEPARTMENT. BUILDING CODES DO CHANGE OVER TIME AND RECIPIENT SHALL ENSURE FULL COMPLIANCE UNDER ALL CODES THEN IN EFFECT AT THE TIME OF THE SUBJECT PERMIT. THIS DOES NOT ELIMINATE OR REDUCE THE RECIPIENT'S RESPONSIBILITY TO VERIFY ANY AND ALL INFORMATION RELEVANT TO THE RECIPIENT'S WORK AND RESPONSIBILITY ON THIS PROJECT. DESIGN PATH STUDIO SHALL NOT BE RESPONSIBLE FOR TRANSLATION ERRORS. DO NOT USE THESE CONSTRUCTION DOCUMENTS IF THE PERMIT HAS EXPIRED OR IS REVOKED AT ALL.
 2. THE RECIPIENT RECOGNIZES AND ACKNOWLEDGES THAT THE USE OF THIS INFORMATION WILL BE AT THEIR SOLE RISK AND WITHOUT ANY LIABILITY OR LEGAL EXPOSURE TO DESIGN PATH STUDIO. NO WARRANTIES OF ANY NATURE, WHETHER EXPRESS OR IMPLIED, SHALL ATTACH TO THESE DOCUMENTS AND THE INFORMATION CONTAINED THEREON. ANY USE, REUSE, OR ALTERATION OF THESE DOCUMENTS BY THE RECIPIENT OR BY OTHERS WILL BE AT THE RECIPIENT'S RISK AND FULL LEGAL RESPONSIBILITY. FURTHERMORE, THE RECIPIENT WILL, TO THE FULLEST EXTENT PERMITTED BY LAW, DEFEND, INDEMNIFY AND HOLD DESIGN PATH STUDIO AND ITS ARCHITECTS HARMLESS FROM ANY AND ALL CLAIMS, SUITS, LIABILITY, DEMANDS, JUDGMENTS, OR COSTS ARISING OUT OF OR RESULTING THERE FROM ANY USE OF THESE CONSTRUCTION DOCUMENTS FOR OR ON ACCOUNT OF ANY INJURY, DEATH, DAMAGE OR LOSS TO PERSONS OR PROPERTY, DIRECT OR CONSEQUENTIAL DAMAGES IN ANY AMOUNT. THIS INDEMNITY DOES NOT APPLY TO THE SOLE NEGLIGENCE OR WILLFUL MISCONDUCT OF DESIGN PATH STUDIO OR ITS ARCHITECTS.
 3. THE DESIGNS REPRESENTED BY THESE PLANS ARE COPYRIGHTED AND ARE SUBJECT TO COPYRIGHT PROTECTION.
 4. IF THE RECIPIENT DOES NOT AGREE WITH THE ABOVE CONDITIONS, DO NOT PROCEED WITH CONSTRUCTION OF AN ADU OR OTHER IMPROVEMENT UNDER THESE PLANS AT ALL.

ELEVATION KEYNOTES	ELEVATION GENERAL NOTES	LEGEND
<p>EL1 MINIMUM CLASS A ROOF ASSEMBLY - SEE SHEET T1.1 FOR MANUFACTURER SPECIFICATIONS</p> <p>EL2 SIDING</p> <p>EL3 STUCCO</p> <p>EL4 STONE VENEER</p> <p>EL5 HEIGHT IS MEASURED AT THE BUILDING LINE, FROM THE LOWER OF EXISTING AND PROPOSED GRADES</p> <p>EL6 DRYER VENT TERMINATION (MINIMUM OF 3 FT FROM ANY OPENING)</p>	<p>1. ALL DIMENSIONS TO FINISH FACE, U.N.O.</p> <p>2. ALL DOORS SHOULD BE 3 1/2" FROM NEAREST INTERSECTING WALL AT HINGED SIDE, U.N.O.</p> <p>3. WRITTEN DIMENSIONS TO PREVAIL OVER SCALING OF DRAWINGS. SUBCONTRACTOR TO VERIFY ALL DIM. PRIOR TO CONSTRUCTION AND IMMEDIATELY NOTIFY ARCHITECT OF ANY DISCREPANCIES.</p> <p>4. REFER TO FRAMING PLANS, FLOOR PLANS, AND SECTIONS FOR CLARIFICATION AND DIMENSIONS</p> <p>5. SEE SCHEDULE FOR DOOR AND WINDOW INFORMATION AND HEIGHTS</p> <p>6. LATH & PLASTER A. MATERIALS FOR PLASTER IS TO BE THE STANDARD PRODUCTS OF RECOGNIZED MANUFACTURERS, AND SHALL BE AS MANUFACTURED BY US GYPSUM CO. AND APPROVED BY THE LATH AND PLASTER INSTITUT OR APPROVED EQUAL. B. ALL PLASTER CORNER BEADS, CASING BEADS, CONTROL JOINTS, EXPANSION SCREEDS AND ACCESSORIES ARE TO BE GALVANIZED PROVIDE CASING BEADS AT ALL JOINTS OF STUCCO TO DISSIMILAR SURFACES UNLESS OTHERWISE NOTED. C. WHERE INDICATED ON THE DRAWINGS, PORTLAND CEMENT PLASTER IS TO BE HAND APPLIED (3) THREE COAT WORK, 7/8" THICK ON EXTERIOR SURFACES. THE COATS ARE TO CONSIST OF A SCRATCH (3/8") AND A TWO COAT FINISH (1/8" MIN.) COAT PROPORTIONED AND MIXED ADS RECOMMENDED BY THE CALIFORNIA LATHING AND PLASTERING CONTRACTORS ASSOCIATION.</p> <p>7. FRAMING ELEVATIONS, INCLUDING FLOOR PLATES AND FLOOR LEVEL ELEVATIONS ARE MEASURED FROM BUILDING FINISH FLOOR, U.N.O.</p> <p>8. SEE ROOF PLAN FOR APPROXIMATE DOWNSPOUT LOCATIONS, U.N.O.</p> <p>10. CONTRACTOR TO VERIFY COLOR SCHEME WITH OWNER BEFORE PERFORMING THE WORK</p>	<p>SECTION CUT</p> <p>ELEVATION CALLOUT</p> <p>DETAIL DRAWING REF.</p> <p>ELEVATION MARKER</p> <p>KEYNOTE</p> <p>DOOR SYMBOL</p> <p>WINDOW SYMBOL</p> <p>TEMPERED GLASS</p> <p>SPRAY FIN. STUCCO</p> <p>BOARD & BATTEN</p> <p>GLAZING</p> <p>ROOFING</p> <p>SIDING</p>

project
 County of Inyo
 Pre-Approved
 ADU/SFD Program

revisions



description
 Exterior
 Elevations
 Ranch

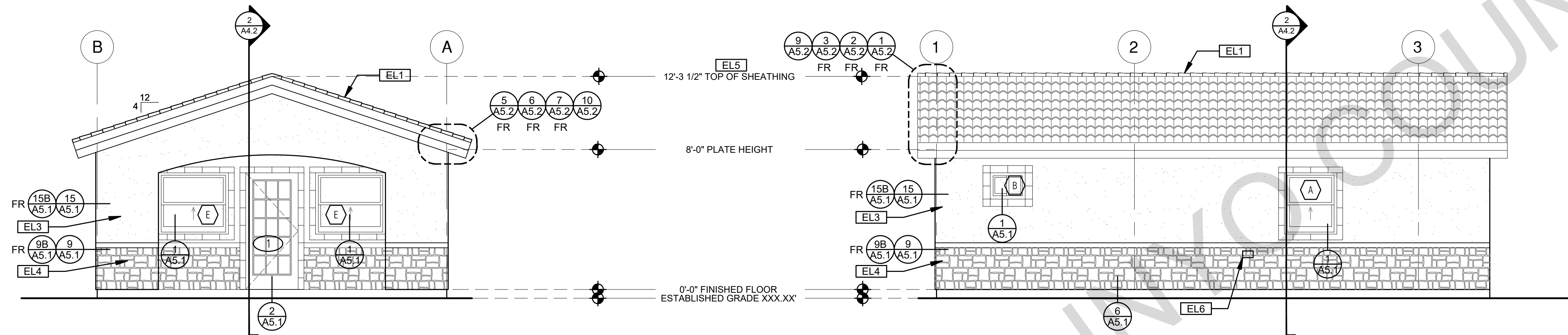
date 2024

project no. INYO COUNTY ADU/SFDS

drawn by DESIGN PATH STUDIO

sheet no.

A3.1



ELEVATION - A

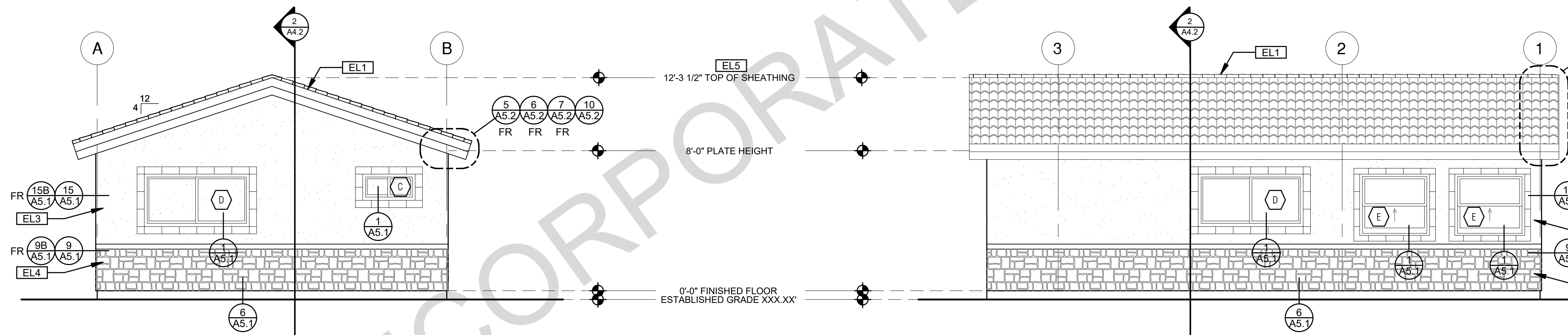
1/4"=1'-0"

SPANISH

ELEVATION - B

1/4"=1'-0"

SPANISH



ELEVATION - C

1/4"=1'-0"

SPANISH

ELEVATION - D

1/4"=1'-0"

SPANISH

BY USING THESE PERMIT READY CONSTRUCTION DOCUMENTS, THE RECIPIENT ACKNOWLEDGES, ACCEPTS AND VOLUNTARILY AFFIRMS THE FOLLOWING CONDITIONS:
 1. THE USE OF THIS INFORMATION IS RESTRICTED TO THE ORIGINAL PROJECT FOR WHICH IT WAS PREPARED FOR THE PERMIT READY ACCESSORY DWELLING UNIT (ADU) PROGRAM FOR THE COUNTY OF INYO ONLY. THIS IS A LIMITED SET OF STANDARDIZED ADU PLANS AND SPECIFICATIONS APPROVED BY THE COUNTY OF INYO BUILDING DEPARTMENT. BUILDING CODES DO CHANGE OVER TIME AND RECIPIENT SHALL ENSURE FULL COMPLIANCE UNDER ALL CODES THEN IN EFFECT AT THE TIME OF THE SUBJECT PERMIT. THIS DOES NOT ELIMINATE OR REDUCE THE RECIPIENT'S RESPONSIBILITY TO VERIFY ANY AND ALL INFORMATION RELEVANT TO THE RECIPIENT'S WORK AND RESPONSIBILITY ON THIS PROJECT. DESIGN PATH STUDIO SHALL NOT BE RESPONSIBLE FOR TRANSLATION ERRORS. DO NOT USE THESE CONSTRUCTION DOCUMENTS IF THE PERMIT HAS EXPIRED OR IS REVOKED AT ALL.
 2. THE RECIPIENT RECOGNIZES AND ACKNOWLEDGES THAT THE USE OF THIS INFORMATION WILL BE AT THEIR SOLE RISK AND WITHOUT ANY LIABILITY OR LEGAL EXPOSURE TO DESIGN PATH STUDIO. NO WARRANTIES OF ANY NATURE, WHETHER EXPRESS OR IMPLIED, SHALL ATTACH TO THESE DOCUMENTS AND THE INFORMATION CONTAINED THEREON. ANY USE, REUSE, OR ALTERATION OF THESE DOCUMENTS BY THE RECIPIENT OR BY OTHERS WILL BE AT THE RECIPIENT'S RISK AND FULL LEGAL RESPONSIBILITY. FURTHERMORE, THE RECIPIENT WILL, TO THE FULLEST EXTENT PERMITTED BY LAW, DEFEND, INDEMNIFY AND HOLD DESIGN PATH STUDIO AND ITS ARCHITECTS HARMLESS FROM ANY AND ALL CLAIMS, SUITS, LIABILITY, DEMANDS, JUDGMENTS, OR COSTS ARISING OUT OF OR RESULTING THERE FROM ANY USE OF THESE CONSTRUCTION DOCUMENTS FOR OR ON ACCOUNT OF ANY INJURY, DEATH, DAMAGE OR LOSS TO PERSONS OR PROPERTY, DIRECT OR CONSEQUENTIAL DAMAGES IN ANY AMOUNT. THIS INDEMNITY DOES NOT APPLY TO THE SOLE NEGLIGENCE OR WILLFUL MISCONDUCT OF DESIGN PATH STUDIO OR ITS ARCHITECTS.
 3. THE DESIGNS REPRESENTED BY THESE PLANS ARE COPYRIGHTED AND ARE SUBJECT TO COPYRIGHT PROTECTION.
 4. IF THE RECIPIENT DOES NOT AGREE WITH THE ABOVE CONDITIONS, DO NOT PROCEED WITH CONSTRUCTION OF AN ADU OR OTHER IMPROVEMENT UNDER THESE PLANS AT ALL.

ELEVATION KEYNOTES

- EL1 MINIMUM CLASS A ROOF ASSEMBLY - SEE SHEET T1.1 FOR MANUFACTURER SPECIFICATIONS
- EL2 SIDING
- EL3 STUCCO
- EL4 STONE VENEER
- EL5 HEIGHT IS MEASURED AT THE BUILDING LINE FROM THE LOWER OF EXISTING AND PROPOSED GRADES
- EL6 DRYER VENT TERMINATION (MINIMUM OF 3 FT FROM ANY OPENING)

ELEVATION GENERAL NOTES

1. ALL DIMENSIONS TO FINISH FACE, U.N.O.
2. ALL DOORS SHOULD BE 3 1/2" FROM NEAREST INTERSECTING WALL AT HINGED SIDE, U.N.O.
3. WRITTEN DIMENSIONS TO PREVAIL OVER SCALING OF DRAWINGS. SUBCONTRACTOR TO VERIFY ALL DIM. PRIOR TO CONSTRUCTION AND IMMEDIATELY NOTIFY ARCHITECT OF ANY DISCREPANCIES.
4. REFER TO FRAMING PLANS, FLOOR PLANS, AND SECTIONS FOR CLARIFICATION AND DIMENSIONS
5. SEE SCHEDULE FOR DOOR AND WINDOW INFORMATION AND HEIGHTS
6. LATH & PLASTER
 A. MATERIALS FOR PLASTER IS TO BE THE STANDARD PRODUCTS OF RECOGNIZED MANUFACTURERS, AND SHALL BE AS MANUFACTURED BY US GYPSUM CO. AND APPROVED BY THE LATH AND PLASTER INSTIGAT OR APPROVED EQUAL.
 B. ALL PLASTER CORNER BEADS, CASING BEADS, CONTROL JOINTS EXPANSION SCREWS AND ACCESSORIES ARE TO BE GALVANIZED PROVIDE CASING BEADS AT ALL JOINTS OF STUCCO TO DISSIMILAR SURFACES UNLESS OTHERWISE NOTED.
 C. WHERE INDICATED ON THE DRAWINGS, PORTLAND CEMENT PLASTER IS TO BE HAND APPLIED (3) THREE COAT WORK, 7/8" THICK ON EXTERIOR SURFACES. THE COATS ARE TO CONSIST OF A SCRATCH (3/8" AND A TWO COAT FINISH (1/8" MIN.) COAT PROPORTIONED AND MIXED ADS RECOMMENDED BY THE CALIFORNIA LATHING AND PLASTERING CONTRACTORS ASSOCIATION.
7. FRAMING ELEVATIONS, INCLUDING FLOOR PLATES AND FLOOR LEVEL ELEVATIONS ARE MEASURED FROM BUILDING FINISH FLOOR, U.N.O.
8. SEE ROOF PLAN FOR APPROXIMATE DOWNSPOUT LOCATIONS, U.N.O.
9. CONTRACTOR TO VERIFY COLOR SCHEME WITH OWNER BEFORE PERFORMING THE WORK

LEGEND

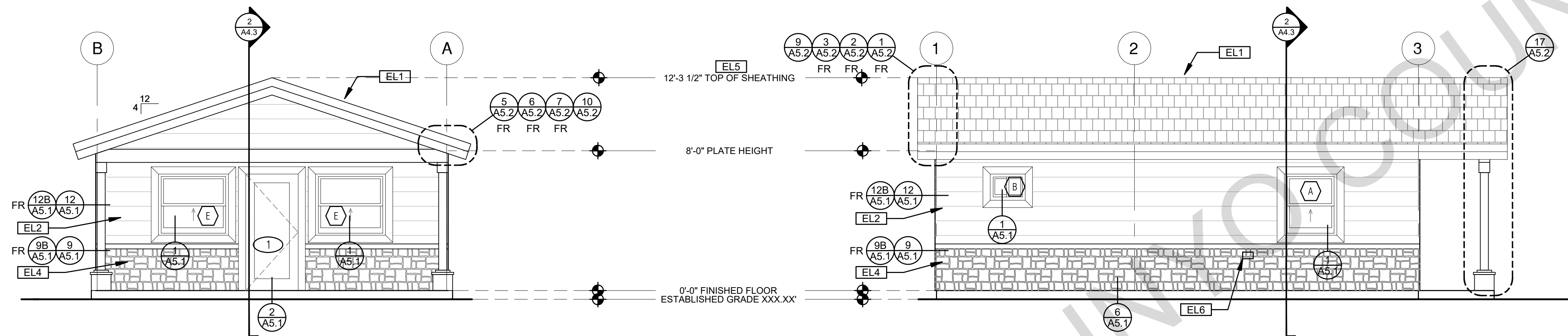
- SECTION CUT
- ELEVATION CALLOUT
- DETAIL DRAWING REF.
- ELEVATION MARKER
- KEYNOTE
- DOOR SYMBOL
- WINDOW SYMBOL
- TEMPERED GLASS
- SPRAY FIN. STUCCO
- BOARD & BATTEN
- GLAZING
- ROOFING
- SIDING

project
 County of Inyo
 Pre-Approved
 ADU/SFD Program

revisions
 △
 △
 △
 △
 △

description
 Exterior
 Elevations
 Spanish

date 2024
 project no. INYO COUNTY ADU/SFDS
 drawn by DESIGN PATH STUDIO
 sheet no.

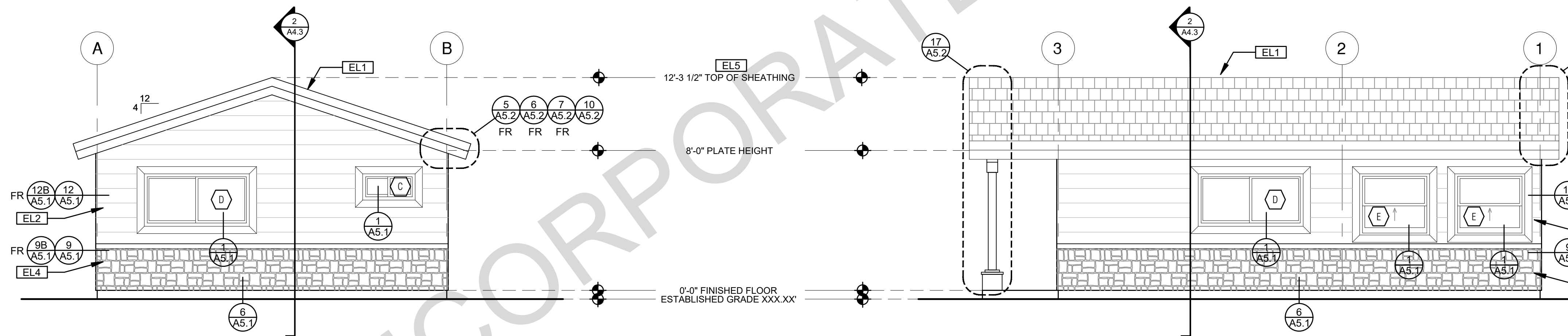


ELEVATION - A

1/4"=1'-0" TRADITIONAL

ELEVATION - B

1/4"=1'-0" TRADITIONAL



ELEVATION - C

1/4"=1'-0" TRADITIONAL

ELEVATION - D

1/4"=1'-0" TRADITIONAL

BY USING THESE PERMIT READY CONSTRUCTION DOCUMENTS, THE RECIPIENT ACKNOWLEDGES, ACCEPTS AND VOLUNTARILY AFFIRMS THE FOLLOWING CONDITIONS:
 1. THE USE OF THIS INFORMATION IS RESTRICTED TO THE ORIGINAL PROJECT FOR WHICH IT WAS PREPARED FOR THE PERMIT READY ACCESSORY DWELLING UNIT (ADU) PROGRAM FOR THE COUNTY OF INYO ONLY. THIS IS A LIMITED SET OF STANDARDIZED ADU PLANS AND SPECIFICATIONS APPROVED BY THE COUNTY OF INYO BUILDING DEPARTMENT. BUILDING CODES DO CHANGE OVER TIME AND RECIPIENT SHALL ENSURE FULL COMPLIANCE UNDER ALL CODES THEN IN EFFECT AT THE TIME OF THE SUBJECT PERMIT. THIS DOES NOT ELIMINATE OR REDUCE THE RECIPIENT'S RESPONSIBILITY TO VERIFY ANY AND ALL INFORMATION RELEVANT TO THE RECIPIENT'S WORK AND RESPONSIBILITY ON THIS PROJECT. DESIGN PATH STUDIO SHALL NOT BE RESPONSIBLE FOR TRANSLATION ERRORS. DO NOT USE THESE CONSTRUCTION DOCUMENTS IF THE PERMIT HAS EXPIRED OR IS REVOKED AT ALL.
 2. THE RECIPIENT RECOGNIZES AND ACKNOWLEDGES THAT THE USE OF THIS INFORMATION WILL BE AT THEIR SOLE RISK AND WITHOUT ANY LIABILITY OR LEGAL EXPOSURE TO DESIGN PATH STUDIO. NO WARRANTIES OF ANY NATURE, WHETHER EXPRESS OR IMPLIED, SHALL ATTACH TO THESE DOCUMENTS AND THE INFORMATION CONTAINED THEREON. ANY USE, REUSE, OR ALTERATION OF THESE DOCUMENTS BY THE RECIPIENT OR BY OTHERS WILL BE AT THE RECIPIENT'S RISK AND FULL LEGAL RESPONSIBILITY. FURTHERMORE, THE RECIPIENT WILL, TO THE FULLEST EXTENT PERMITTED BY LAW, DEFEND, INDEMNIFY AND HOLD DESIGN PATH STUDIO AND ITS ARCHITECTS HARMLESS FROM ANY AND ALL CLAIMS, SUITS, LIABILITY, DEMANDS, JUDGMENTS, OR COSTS ARISING OUT OF OR RESULTING THERE FROM ANY USE OF THESE CONSTRUCTION DOCUMENTS FOR OR ON ACCOUNT OF ANY INJURY, DEATH, DAMAGE OR LOSS TO PERSONS OR PROPERTY, DIRECT OR CONSEQUENTIAL DAMAGES IN ANY AMOUNT. THIS INDEMNITY DOES NOT APPLY TO THE SOLE NEGLIGENCE OR WILLFUL MISCONDUCT OF DESIGN PATH STUDIO OR ITS ARCHITECTS.
 3. THE DESIGNS REPRESENTED BY THESE PLANS ARE COPYRIGHTED AND ARE SUBJECT TO COPYRIGHT PROTECTION.
 4. IF THE RECIPIENT DOES NOT AGREE WITH THE ABOVE CONDITIONS, DO NOT PROCEED WITH CONSTRUCTION OF AN ADU OR OTHER IMPROVEMENT UNDER THESE PLANS AT ALL.

ELEVATION KEYNOTES

- EL1 MINIMUM CLASS A ROOF ASSEMBLY - SEE SHEET T1.1 FOR MANUFACTURER SPECIFICATIONS
- EL2 SIDING
- EL3 STUCCO
- EL4 STONE VENEER
- EL5 HEIGHT IS MEASURED AT THE BUILDING LINE FROM THE LOWER OF EXISTING AND PROPOSED GRADES
- EL6 DRYER VENT TERMINATION (MINIMUM OF 3 FT FROM ANY OPENING)

ELEVATION GENERAL NOTES

1. ALL DIMENSIONS TO FINISH FACE, U.N.O.
2. ALL DOORS SHOULD BE 3 1/2" FROM NEAREST INTERSECTING WALL AT HINGED SIDE, U.N.O.
3. WRITTEN DIMENSIONS TO PREVAIL OVER SCALING OF DRAWINGS. SUBCONTRACTOR TO VERIFY ALL DIM. PRIOR TO CONSTRUCTION AND IMMEDIATELY NOTIFY ARCHITECT OF ANY DISCREPANCIES.
4. REFER TO FRAMING PLANS, FLOOR PLANS, AND SECTIONS FOR CLARIFICATION AND DIMENSIONS
5. SEE SCHEDULE FOR DOOR AND WINDOW INFORMATION AND HEIGHTS
6. LATH & PLASTER
 A. MATERIALS FOR PLASTER IS TO BE THE STANDARD PRODUCTS OF RECOGNIZED MANUFACTURERS, AND SHALL BE AS MANUFACTURED BY US GYPSUM CO. AND APPROVED BY THE LATH AND PLASTER INSTIGAT OR APPROVED EQUAL.
 B. ALL PLASTER CORNER BEADS, CASING BEADS, CONTROL JOINTS EXPANSION SCREWS AND ACCESSORIES ARE TO BE GALVANIZED PROVIDE CASING BEADS AT ALL JOINTS OF STUCCO TO DISSIMILAR SURFACES UNLESS OTHERWISE NOTED.
 C. WHERE INDICATED ON THE DRAWINGS, PORTLAND CEMENT PLASTER IS TO BE HAND APPLIED (3) THREE COAT WORK, 7/8" THICK ON EXTERIOR SURFACES. THE COATS ARE TO CONSIST OF A SCRATCH (3/8" AND A TWO COAT FINISH (1/8" MIN.) COAT PROPORTIONED AND MIXED ADS RECOMMENDED BY THE CALIFORNIA LATHING AND PLASTERING CONTRACTORS ASSOCIATION.
7. FRAMING ELEVATIONS, INCLUDING FLOOR PLATES AND FLOOR LEVEL ELEVATIONS ARE MEASURED FROM BUILDING FINISH FLOOR, U.N.O.
8. SEE ROOF PLAN FOR APPROXIMATE DOWNSPOUT LOCATIONS, U.N.O.
9. CONTRACTOR TO VERIFY COLOR SCHEME WITH OWNER BEFORE PERFORMING THE WORK

LEGEND

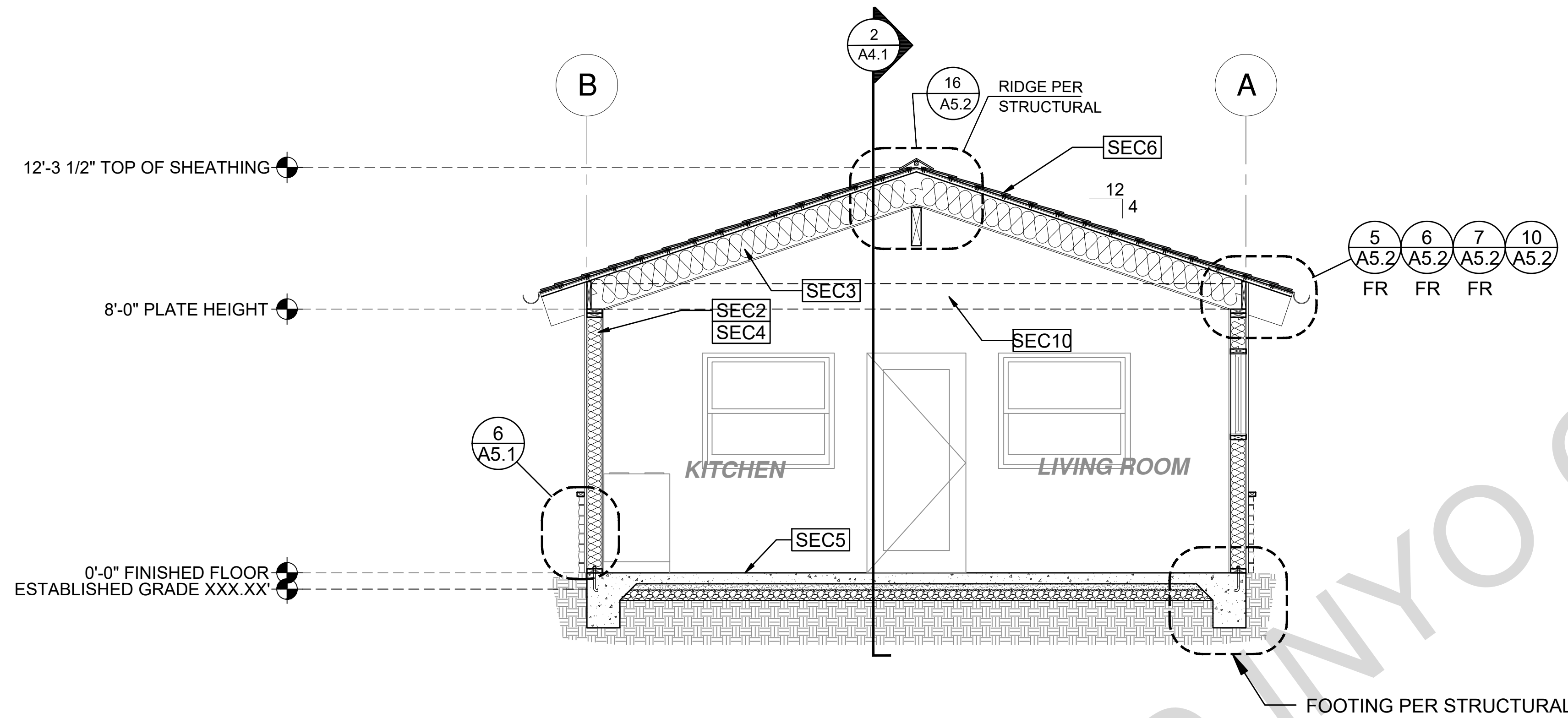
	SECTION CUT		KEYNOTE		SPRAY FIN STUCCO
	ELEVATION CALLOUT		DOOR SYMBOL		BOARD & BATTEN
	DETAIL DRAWING REF.		WINDOW SYMBOL		GLAZING
	ELEVATION MARKER		TEMPERED GLASS		ROOFING
					SIDING

project
 County of Inyo
 Pre-Approved
 ADU/SFD Program

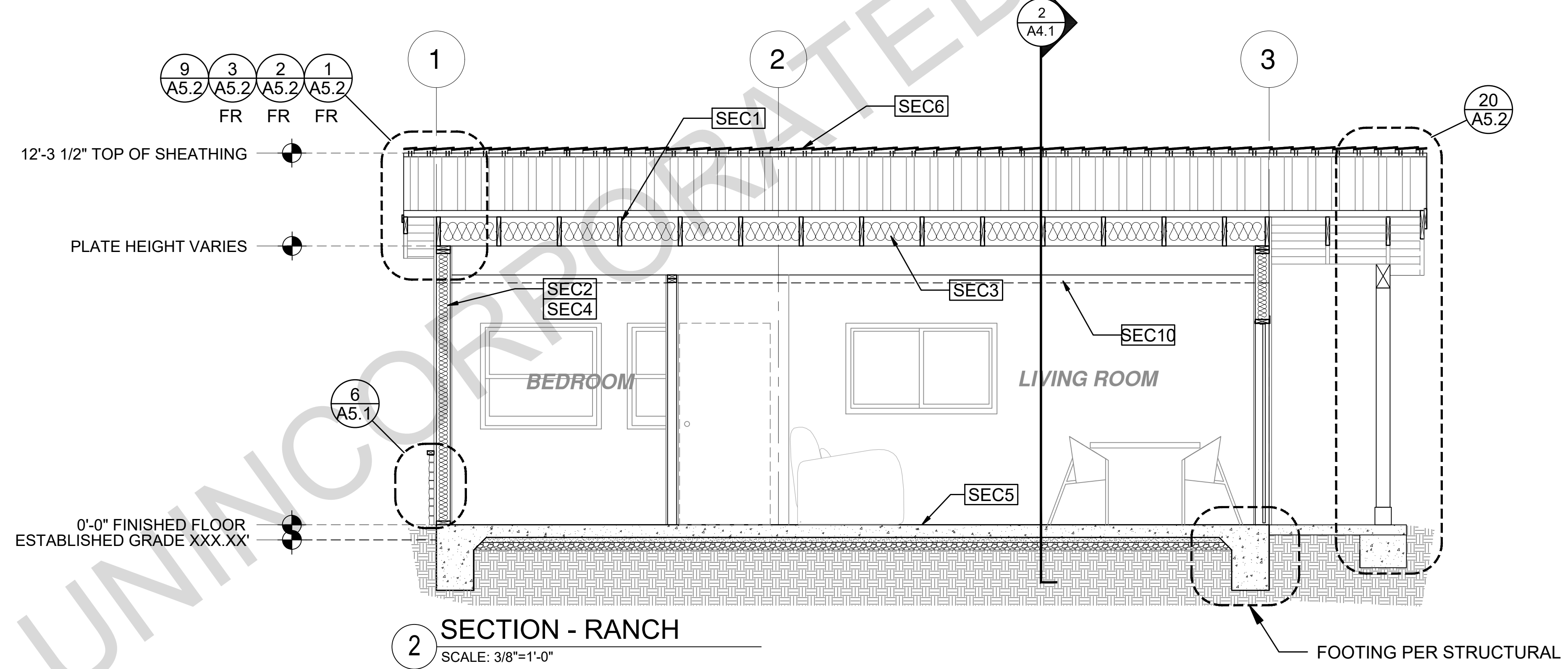
revisions

description
 Exterior
 Elevations
 Traditional

date 2024
 project no. INYO COUNTY ADU/SFDS
 drawn by DESIGN PATH STUDIO
 sheet no.



1 SECTION - RANCH
 SCALE: 3/8"=1'-0"



2 SECTION - RANCH
 SCALE: 3/8"=1'-0"

SECTION KEYNOTES	
SEC1	RAFTERS PER PLAN SEE STRUCTURAL
SEC2	2X STUDS @ 16" O.C. - SEE STRUCTURAL
SEC3	CEILING INSULATION PER TITLE 24 ENERGY CALCULATIONS
SEC4	WALL INSULATION PER TITLE 24 ENERGY CALCULATIONS
SEC5	CONC. SLAB ON GRADE SEE STRUCTURAL
SEC6	MINIMUM CLASS A ROOF ASSEMBLY - SEE SHEET T1.1 FOR MANUFACTURER SPECIFICATIONS
SEC7	FLOOR INSULATION PER TITLE 24 ENERGY CALCULATIONS
SEC8	MINIMUM 5/8" TYPE GYPSUM BOARD
SEC9	MINIMUM 1/2" GYPSUM BOARD
SEC10	CEILING JOIST REQUIRED IN CLIMATE ZONE 16 ONLY. REFER TO T24 CALCULATION REPORTS

SECTION GENERAL NOTES	
1. METALS SEE PLANS AND DETAILS FOR LOCATIONS, QUANTITY AND CONFIGURATION OF MISCELLANEOUS IRON AND STEEL WORK INCLUDING ASSORTED CLIPS, BRACKETS, ANGLES, STRAPS, POST ANCHORS AND LIKE ITEMS. FURNISH AND INSTALL ALL SUCH ITEMS NECESSARY TO MAKE A COMPLETE INSTALLATION WHETHER OR NOT SPECIFICALLY DETAILED OR NOTED ON THE DRAWINGS. ALL EXTERIOR METAL AND HARDWARE IS TO BE GALVANIZED. STEEL IS TO BE ASTM A3.	3. FRAMER IS TO LAYOUT CEILING JOISTS/ROOF RAFTERS TO ACCOMMODATE RECESSED LIGHTS, EXHAUST FANS OR OTHER ELECTRICAL/MECHANICAL FIXTURES.
4. WOOD SOFFIT/CEILING, SIDING & TRIM ALL NAILS, FASTENERS AND HARDWARE MUST BE STAINLESS STEEL OR HOT-DIPPED GALVANIZED. STAPLES ARE NOT PERMITTED	5. INSULATION THERMAL INSULATION IS TO BE FOIL BACKED OR AN APPROVED VAPOR BARRIER BATT INSULATION WITH AN R VALUE NOT LESS SPECIFIED IN THE TITLE 24 ENERGY CALCULATIONS. AT BATHROOMS, LAUNDRY ROOM, AND MASTER BED/BATHROOMS INSULATION IS TO BE PROVIDED WITH SOUND INSULATION.
6. FLASHING AND SHEET METAL ALL FLASHING AND SHEET METAL FLASHING IS TO BE GALVANIZED AND INSTALLED AS PER SMACNA STANDARDS. ALL PROPOSED FLASHING AND SHEET METAL MATERIALS, GAUGE AND INSTALLATION IS TO BE IN ACCORDANCE WITH SMACNA MANUAL STANDARDS.	7. IN CONCEALED SPACES BETWEEN STAIR STRINGERS AT THE TOP AND BOTTOM OF THE RUN, ENCLOSED SPACES UNDER STAIRS SHALL COMPLY WITH SECTION R302.7.
8. THE PURPOSE OF THESE DRAWINGS IS TO SHOW CONSTRUCTION MATERIALS/ASSEMBLIES. FOR SPECIFIC SIZES AND DETAILS REFER TO ARCHITECTURAL PLANS, ELEVATIONS, DETAILS, & STRUCTURAL PLANS. "KEYNOTES ONLY APPLY IF REFERENCED ON PLANS"	9. AT INTERCONNECTIONS BETWEEN CONCEALED VERTICAL AND HORIZONTAL SPACES SUCH AS SOFFITS, DROP CEILINGS AND COVE CEILINGS
1. INSULATION: REFER TO TITLE 24 REPORT FOR ADDITIONAL RATINGS, REQUIREMENTS, AND INFORMATION	2. FIRE BLOCKING TO BE LOCATED AT THE FOLLOWING LOCATIONS PER 2022 CRC SECTION R302.11: A. SECTION R302.11-1. FIREBLOCKING SHALL BE PROVIDED IN CONCEALED SPACES OF STUD WALLS AND PARTITIONS, INCLUDING FURRED SPACES AND PARALLEL ROWS OF STUDS OR STAGGERED STUDS, AS FOLLOWS: A. VERTICALLY AT CEILING AND FLOOR LEVELS B. HORIZONTALLY AT INTERVALS NOT EXCEEDING 10FT
10. AT OPENINGS AROUND VENTS, PIPES, DUCTS, CABLES AND WIRES AT CEILINGS AND FLOOR LEVEL, WITH AN APPROVED MATERIAL TO RESIST THE FREE PASSAGE OF FLAME PRODUCTS OF COMBUSTION. THE MATERIAL FILLING THIS ANNULAR SPACE SHALL NOT BE REQUIRED TO MEET THE ASTM E136 REQUIREMENTS FOR THE FIREBLOCKING OF CHIMNEYS AND FIREPLACES. SEE SECTION R1003.19	11. SECTION R302.11.1 - FIREBLOCKING MATERIALS SHALL CONSIST OF FOLLOWING MATERIALS: 1. TWO-INCH NOMINAL NUMBER 2. TWO THICKNESS OF ONE-INCH NOMINAL LUMBER WITH BROKEN LAP JOINTS 3. THE THICKNESS OF 0.719-INCH WOOD STRUCTURAL PANELS WITH JOINTS BACKED BY 0.719-INCH WOOD STRUCTURAL PANELS 4. THE THICKNESS OF 0.75-INCH PARTICLE BOARD WITH JOINTS BACKED BY 0.75-INCH PARTICLE BOARD 5. ONE-HALF-INCH GYPSUM BOARD 6. ONE-FOURTH-INCH CEMENT-BASED MILLBOARD 7. BATTS OR BLANKETS OF MINERAL WOOL, MINERAL FIBER OR OTHER APPROVED MATERIAL INSTALLED IN SUCH A MANNER AS TO BE SECURELY RETAINED IN PLACE 8. CELLULOSE INSULATION INSTALLED AS TESTED IN ACCORDANCE WITH ASTM E119 OR UL 263, FOR THE SPECIFIC APPLICATION

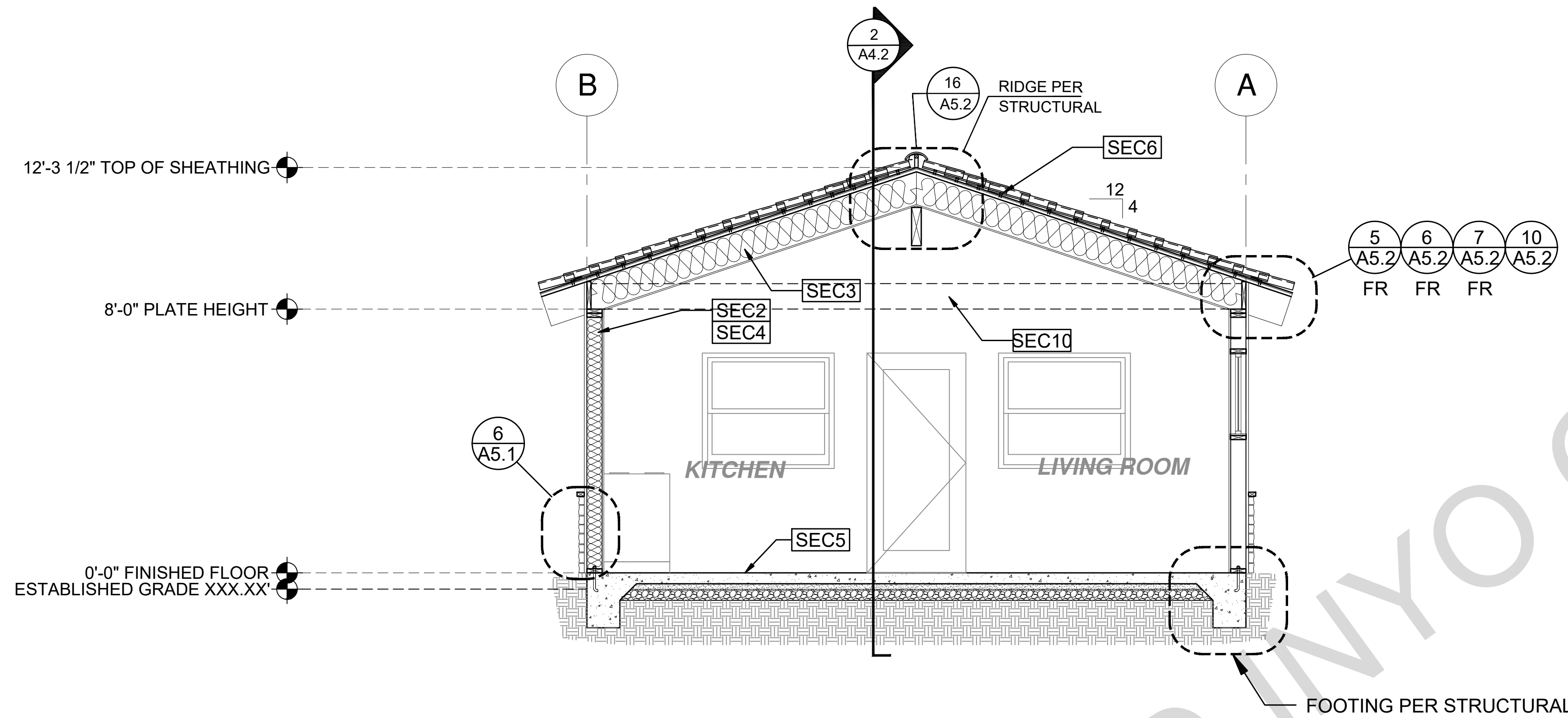
LEGEND	
	SECTION CUT
	ELEVATION CALLOUT
	DETAIL DRAWING REF.
	ELEVATION MARKER

BY USING THESE PERMIT READY CONSTRUCTION DOCUMENTS, THE RECIPIENT ACKNOWLEDGES, ACCEPTS AND VOLUNTARILY AFFIRMS THE FOLLOWING CONDITIONS:
 1. THE USE OF THIS INFORMATION IS RESTRICTED TO THE ORIGINAL PROJECT FOR WHICH IT WAS PREPARED FOR THE PERMIT READY ACCESSORY DWELLING UNIT (ADU) PROGRAM FOR THE COUNTY OF INYO ONLY. THIS IS A LIMITED SET OF STANDARDIZED ADU PLANS AND SPECIFICATIONS APPROVED BY THE COUNTY OF INYO BUILDING DEPARTMENT. BUILDING CODES DO CHANGE OVER TIME AND RECIPIENT SHALL ENSURE FULL COMPLIANCE UNDER ALL CODES THEN IN EFFECT AT THE TIME OF THE SUBJECT PERMIT. THIS DOES NOT ELIMINATE OR REDUCE THE RECIPIENT'S RESPONSIBILITY TO VERIFY ANY AND ALL INFORMATION RELEVANT TO THE RECIPIENT'S WORK AND RESPONSIBILITY ON THIS PROJECT. DESIGN PATH STUDIO SHALL NOT BE RESPONSIBLE FOR TRANSLATION ERRORS. DO NOT USE THESE CONSTRUCTION DOCUMENTS IF THE PERMIT HAS EXPIRED OR IS REVOKED AT ALL.
 2. THE RECIPIENT RECOGNIZES AND ACKNOWLEDGES THAT THE USE OF THIS INFORMATION WILL BE AT THEIR SOLE RISK AND WITHOUT ANY LIABILITY OR LEGAL EXPOSURE TO DESIGN PATH STUDIO. NO WARRANTIES OF ANY NATURE, WHETHER EXPRESS OR IMPLIED, SHALL ATTACH TO THESE DOCUMENTS AND THE INFORMATION CONTAINED THEREON. ANY USE, REUSE, OR ALTERATION OF THESE DOCUMENTS BY THE RECIPIENT OR BY OTHERS WILL BE AT THE RECIPIENT'S RISK AND FULL LEGAL RESPONSIBILITY. FURTHERMORE, THE RECIPIENT WILL, TO THE FULLEST EXTENT PERMITTED BY LAW, DEFEND, INDEMNIFY AND HOLD DESIGN PATH STUDIO AND ITS ARCHITECTS HARMLESS FROM ANY AND ALL CLAIMS, SUITS, LIABILITY, DEMANDS, JUDGMENTS, OR COSTS ARISING OUT OF OR RESULTING THERE FROM ANY USE OF THESE CONSTRUCTION DOCUMENTS FOR OR ON ACCOUNT OF ANY INJURY, DEATH, DAMAGE OR LOSS TO PERSONS OR PROPERTY, DIRECT OR CONSEQUENTIAL DAMAGES IN ANY AMOUNT. THIS INDEMNITY DOES NOT APPLY TO THE SOLE NEGLIGENCE OR WILLFUL MISCONDUCT OF DESIGN PATH STUDIO OR ITS ARCHITECTS.
 3. THE DESIGNS REPRESENTED BY THESE PLANS ARE COPYRIGHTED AND ARE SUBJECT TO COPYRIGHT PROTECTION.
 4. IF THE RECIPIENT DOES NOT AGREE WITH THE ABOVE CONDITIONS, DO NOT PROCEED WITH CONSTRUCTION OF AN ADU OR OTHER IMPROVEMENT UNDER THESE PLANS AT ALL.

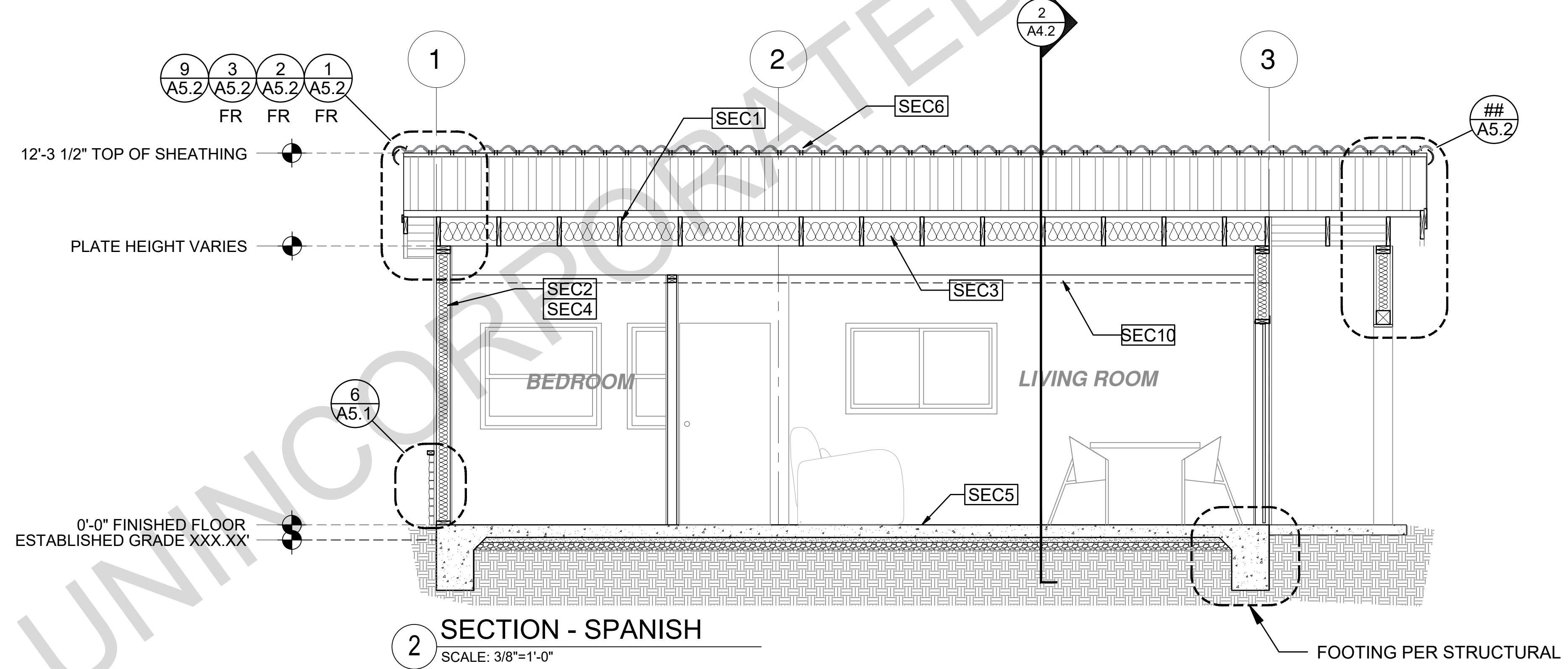
project
 County of Inyo
 Pre-Approved
 ADU/SFD Program

revisions
 △
 △
 △
 △
 △
 description
 Building
 Sections
 Ranch

date 2024
 project no. INYO COUNTY ADU/SFDs
 drawn by DESIGN PATH STUDIO
 sheet no.



1 SECTION - SPANISH
SCALE: 3/8"=1'-0"



2 SECTION - SPANISH
SCALE: 3/8"=1'-0"

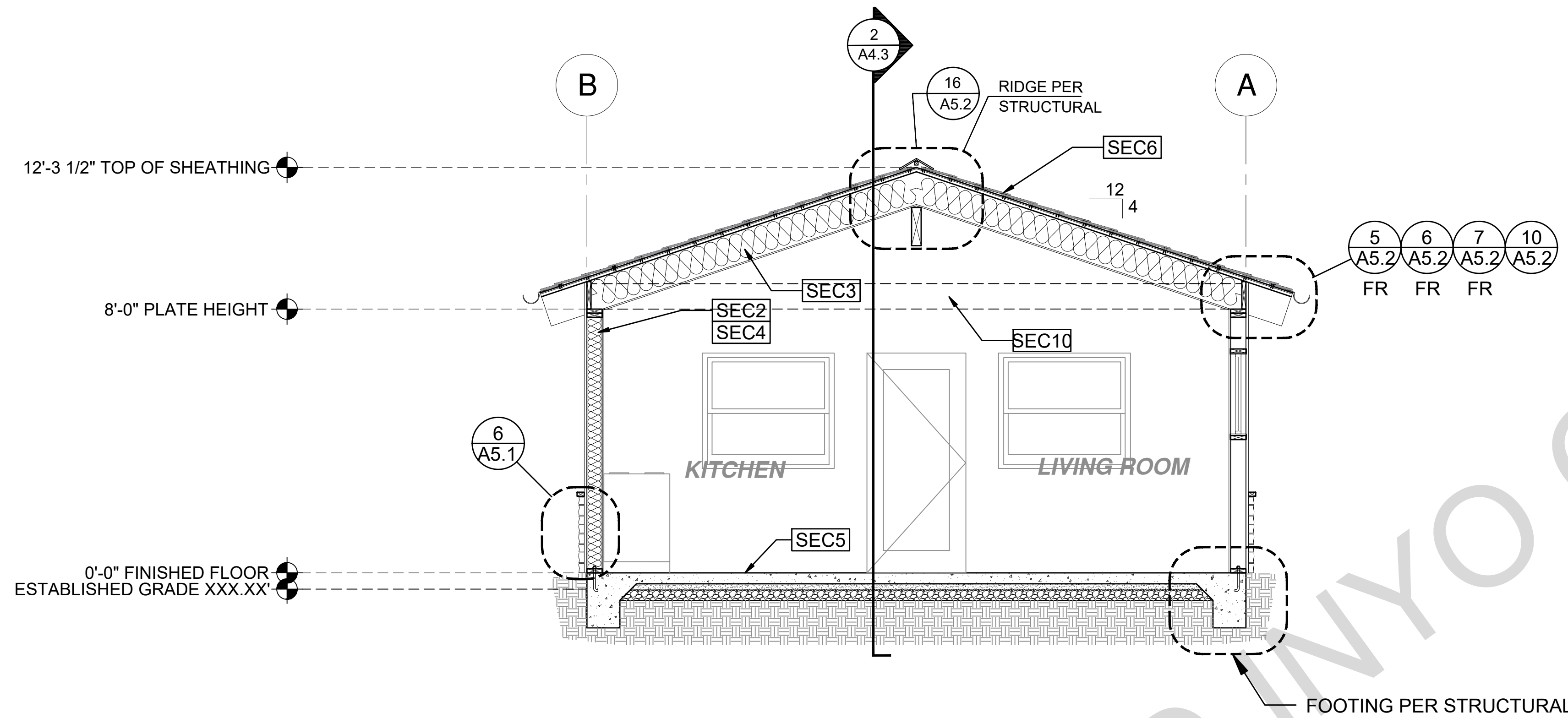
BY USING THESE PERMIT READY CONSTRUCTION DOCUMENTS, THE RECIPIENT ACKNOWLEDGES, ACCEPTS AND VOLUNTARILY AFFIRMS THE FOLLOWING CONDITIONS:
1. THE USE OF THIS INFORMATION IS RESTRICTED TO THE ORIGINAL PROJECT FOR WHICH IT WAS PREPARED FOR THE PERMIT READY ACCESSORY DWELLING UNIT (ADU) PROGRAM FOR THE COUNTY OF INYO ONLY. THIS IS A LIMITED SET OF STANDARDIZED ADU PLANS AND SPECIFICATIONS APPROVED BY THE COUNTY OF INYO BUILDING DEPARTMENT. BUILDING CODES DO CHANGE OVER TIME AND RECIPIENT SHALL ENSURE FULL COMPLIANCE UNDER ALL CODES THEN IN EFFECT AT THE TIME OF THE SUBJECT PERMIT. THIS DOES NOT ELIMINATE OR REDUCE THE RECIPIENT'S RESPONSIBILITY TO VERIFY ANY AND ALL INFORMATION RELEVANT TO THE RECIPIENT'S WORK AND RESPONSIBILITY ON THIS PROJECT. DESIGN PATH STUDIO SHALL NOT BE RESPONSIBLE FOR TRANSLATION ERRORS. DO NOT USE THESE CONSTRUCTION DOCUMENTS IF THE PERMIT HAS EXPIRED OR IS REVOKED AT ALL.
2. THE RECIPIENT RECOGNIZES AND ACKNOWLEDGES THAT THE USE OF THIS INFORMATION WILL BE AT THEIR SOLE RISK AND WITHOUT ANY LIABILITY OR LEGAL EXPOSURE TO DESIGN PATH STUDIO. NO WARRANTIES OF ANY NATURE, WHETHER EXPRESS OR IMPLIED, SHALL ATTACH TO THESE DOCUMENTS AND THE INFORMATION CONTAINED THEREON. ANY USE, REUSE, OR ALTERATION OF THESE DOCUMENTS BY THE RECIPIENT OR BY OTHERS WILL BE AT THE RECIPIENT'S RISK AND FULL LEGAL RESPONSIBILITY. FURTHERMORE, THE RECIPIENT WILL, TO THE FULLEST EXTENT PERMITTED BY LAW, DEFEND, INDEMNIFY AND HOLD DESIGN PATH STUDIO AND ITS ARCHITECTS HARMLESS FROM ANY AND ALL CLAIMS, SUITS, LIABILITY, DEMANDS, JUDGMENTS, OR COSTS ARISING OUT OF OR RESULTING THERE FROM ANY USE OF THESE CONSTRUCTION DOCUMENTS FOR OR ON ACCOUNT OF ANY INJURY, DEATH, DAMAGE OR LOSS TO PERSONS OR PROPERTY, DIRECT OR CONSEQUENTIAL DAMAGES IN ANY AMOUNT. THIS INDEMNITY DOES NOT APPLY TO THE SOLE NEGLIGENCE OR WILLFUL MISCONDUCT OF DESIGN PATH STUDIO OR ITS ARCHITECTS.
3. THE DESIGNS REPRESENTED BY THESE PLANS ARE COPYRIGHTED AND ARE SUBJECT TO COPYRIGHT PROTECTION.
4. IF THE RECIPIENT DOES NOT AGREE WITH THE ABOVE CONDITIONS, DO NOT PROCEED WITH CONSTRUCTION OF AN ADU OR OTHER IMPROVEMENT UNDER THESE PLANS AT ALL.

SECTION KEYNOTES	SECTION GENERAL NOTES	LEGEND
<p>SEC1 RAFTERS PER PLAN SEE STRUCTURAL</p> <p>SEC2 2X STUDS @ 16" O.C. - SEE STRUCTURAL</p> <p>SEC3 CEILING INSULATION PER TITLE 24 ENERGY CALCULATIONS</p> <p>SEC4 WALL INSULATION PER TITLE 24 ENERGY CALCULATIONS</p> <p>SEC5 CONC. SLAB ON GRADE SEE STRUCTURAL</p> <p>SEC6 MINIMUM CLASS A ROOF ASSEMBLY - SEE SHEET T1.1 FOR MANUFACTURER SPECIFICATIONS</p> <p>SEC7 FLOOR INSULATION PER TITLE 24 ENERGY CALCULATIONS</p> <p>SEC8 MINIMUM 5/8" TYPE GYPSUM BOARD</p> <p>SEC9 MINIMUM 1/2" GYPSUM BOARD</p> <p>SEC10 CEILING JOIST REQUIRED IN CLIMATE ZONE 16 ONLY. REFER TO T24 CALCULATION REPORTS</p>	<p>1. METALS SEE PLANS AND DETAILS FOR LOCATIONS, QUANTITY AND CONFIGURATION OF MISCELLANEOUS IRON AND STEEL WORK INCLUDING ASSORTED CLIPS, BRACKETS, ANGLES, STRAPS, POST ANCHORS AND LIKE ITEMS. FURNISH AND INSTALL ALL SUCH ITEMS NECESSARY TO MAKE A COMPLETE INSTALLATION WHETHER OR NOT SPECIFICALLY DETAILED OR NOTED ON THE DRAWINGS. ALL EXTERIOR METAL AND HARDWARE IS TO BE GALVANIZED. STEEL IS TO BE ASTM A3.</p> <p>2. RAFTER VENTS ARE TO BE STAINLESS STEEL MESH AND ARE TO BE SIZED TO MEET REQUIRED VENTILATION TO ENCLOSED RAFTER SPACES. MAX 1/2" MIN 1/4" OPENING SIZE ON VENT SCREEN WITH CORROSION-RESISTANT WIRE SCREEN MATERIAL.</p> <p>3. FRAMER IS TO LAYOUT CEILING JOISTS/ROOF RAFTERS TO ACCOMMODATE RECESSED LIGHTS EXHAUST FANS OR OTHER ELECTRICAL/MECHANICAL FIXTURES.</p> <p>4. WOOD SOFFIT/CEILING, SIDING & TRIM ALL NAILS, FASTENERS AND HARDWARE MUST BE STAINLESS STEEL OR HOT-DIPPED GALVANIZED. STAPLES ARE NOT PERMITTED</p> <p>5. INSULATION THERMAL INSULATION IS TO BE FOIL BACKED OR AN APPROVED VAPOR BARRIER BATT INSULATION WITH AN R VALUE NOT LESS SPECIFIED IN THE TITLE 24 ENERGY CALCULATIONS. AT BATHROOMS, LAUNDRY ROOM, AND MASTER BED/BATHROOMS INSULATION IS TO BE PROVIDED WITH SOUND INSULATION.</p> <p>6. FLASHING AND SHEET METAL ALL FLASHING AND COUNTERTOP FLASHING IS TO BE GALVANIZED AND INSTALLED AS PER SMACNA STANDARDS. ALL PROPOSED FLASHING AND SHEET METAL MATERIALS, GAUGE AND INSTALLATION IS TO BE IN ACCORDANCE WITH SMACNA MANUAL STANDARDS.</p> <p>7. IN CONCEALED SPACES BETWEEN STAIR STRINGERS AT THE TOP AND BOTTOM OF THE RUN, ENCLOSED SPACES UNDER STAIRS SHALL COMPLY WITH SECTION R302.7.</p> <p>8. THE PURPOSE OF THESE DRAWINGS IS TO SHOW CONSTRUCTION MATERIALS/ASSEMBLIES, FOR SPECIFIC SIZES AND DETAILS REFER TO ARCHITECTURAL PLANS, ELEVATIONS, DETAILS, & STRUCTURAL PLANS. "KEYNOTES ONLY APPLY IF REFERENCED ON PLANS" 1. INSULATION: REFER TO TITLE 24 REPORT FOR ADDITIONAL RATINGS, REQUIREMENTS, AND INFORMATION 2. FIRE BLOCKING TO BE LOCATED AT THE FOLLOWING LOCATIONS PER 2022 CRC SECTION R302.11: A. SECTION R302.11-1: FIREBLOCKING SHALL BE PROVIDED IN CONCEALED SPACES OF STUD WALLS AND PARTITIONS, INCLUDING FURRED SPACES, AND PARALLEL ROWS OF STUDS OR STAGGERED STUDS, AS FOLLOWS: A. VERTICALLY AT CEILING AND FLOOR LEVELS B. HORIZONTALLY AT INTERVALS NOT EXCEEDING 10FT</p> <p>9. AT INTERCONNECTIONS BETWEEN CONCEALED VERTICAL AND HORIZONTAL SPACES SUCH AS SOFFITS, DROP CEILINGS AND COVE CEILINGS</p> <p>10. AT OPENINGS AROUND VENTS, PIPES, DUCTS, CABLES AND WIRES AT CEILINGS AND FLOOR LEVEL, WITH AN APPROVED MATERIAL TO RESIST THE FREE PASSAGE OF FLAME PRODUCTS OF COMBUSTION. THE MATERIAL FILLING THIS ANNULAR SPACE SHALL NOT BE REQUIRED TO MEET THE ASTM E136 REQUIREMENTS FOR THE FIREBLOCKING OF CHIMNEYS AND FIREPLACES. SEE SECTION R1003.19 FIREBLOCKING OF CORNICES OF A TWO-FAMILY DWELLING IS REQUIRED AT THE LINE OF DWELLING-UNIT SEPARATION</p> <p>11. SECTION R302.11.1 - FIREBLOCKING MATERIALS SHALL CONSIST OF FOLLOWING MATERIALS: 1. TWO-INCH NOMINAL NUMBER 2. TWO THICKNESS OF ONE-INCH NOMINAL LUMBER WITH BROKEN LAP JOINTS 3. THE THICKNESS OF 0.719-INCH WOOD STRUCTURAL PANELS WITH JOINTS BACKED BY 0.719-INCH WOOD STRUCTURAL PANELS 4. THE THICKNESS OF 0.75-INCH PARTICLE BOARD WITH JOINTS BACKED BY 0.75-INCH PARTICLE BOARD 5. ONE HALF-INCH GYPSUM BOARD 6. ONE FOURTH-INCH CEMENT-BASED MILLBOARD 7. BATTS OR BLANKETS OF MINERAL WOOL, MINERAL FIBER OR OTHER APPROVED MATERIAL INSTALLED IN SUCH A MANNER AS TO BE SECURELY RETAINED IN PLACE 8. CELLULOSE INSULATION INSTALLED AS TESTED IN ACCORDANCE WITH ASTM E119 OR UL 263, FOR THE SPECIFIC APPLICATION</p>	<p>SECTION CUT</p> <p>ELEVATION CALLOUT</p> <p>DETAIL DRAWING REF.</p> <p>ELEVATION MARKER</p>

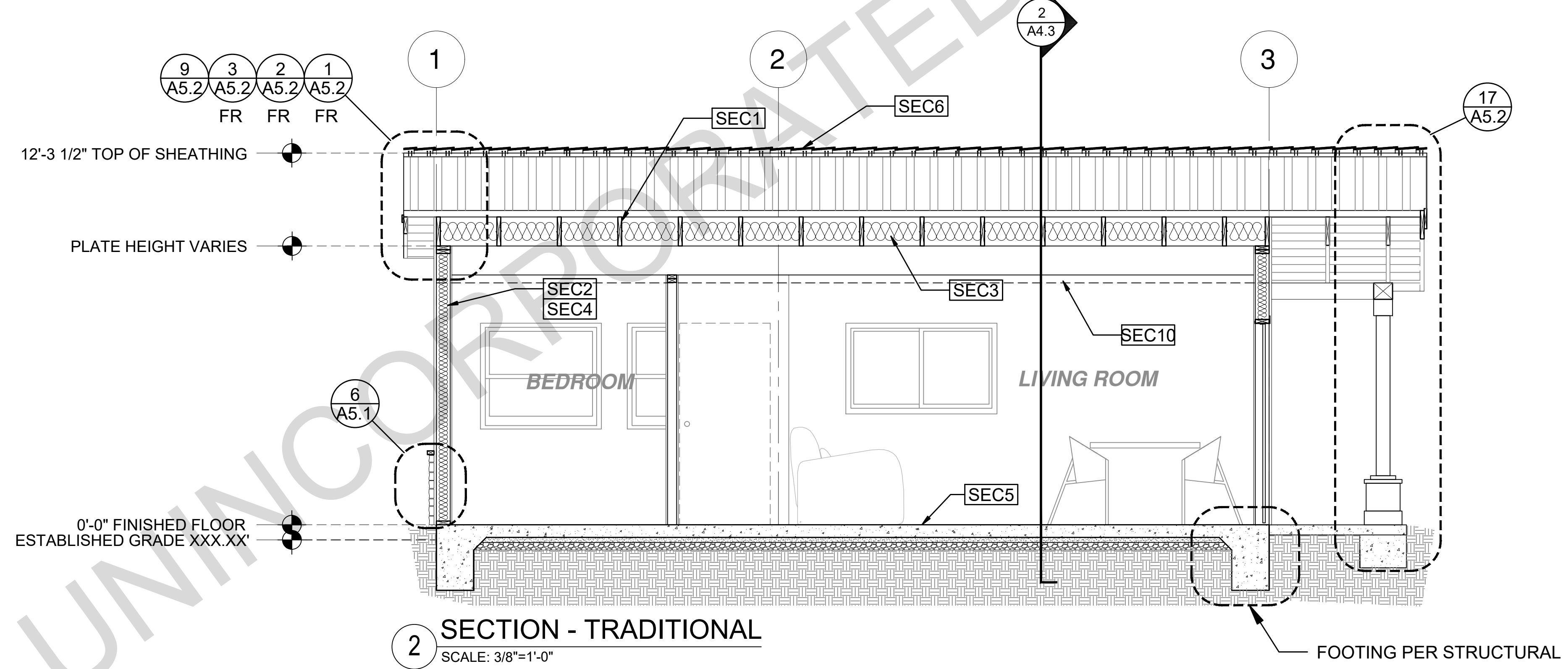
project
County of Inyo
Pre-Approved
ADU/SFD Program

revisions
△
△
△
△
△
description
Building
Sections
Spanish

date 2024
project no. INYO COUNTY ADU/SFDS
drawn by DESIGN PATH STUDIO
sheet no.



1 SECTION - TRADITIONAL
SCALE: 3/8"=1'-0"



2 SECTION - TRADITIONAL
SCALE: 3/8"=1'-0"

SECTION KEYNOTES	SECTION GENERAL NOTES	LEGEND
<p>SEC1 RAFTERS PER PLAN SEE STRUCTURAL</p> <p>SEC2 2X STUDS @ 16" O.C. - SEE STRUCTURAL</p> <p>SEC3 CEILING INSULATION PER TITLE 24 ENERGY CALCULATIONS</p> <p>SEC4 WALL INSULATION PER TITLE 24 ENERGY CALCULATIONS</p> <p>SEC5 CONC. SLAB ON GRADE SEE STRUCTURAL</p> <p>SEC6 MINIMUM CLASS A ROOF ASSEMBLY - SEE SHEET T1.1 FOR MANUFACTURER SPECIFICATIONS</p> <p>SEC7 FLOOR INSULATION PER TITLE 24 ENERGY CALCULATIONS</p> <p>SEC8 MINIMUM 5/8" TYPE GYPSUM BOARD</p> <p>SEC9 MINIMUM 1/2" GYPSUM BOARD</p> <p>SEC10 CEILING JOIST REQUIRED IN CLIMATE ZONE 16 ONLY. REFER TO T24 CALCULATION REPORTS</p>	<p>1. METALS SEE PLANS AND DETAILS FOR LOCATIONS, QUANTITY AND CONFIGURATION OF MISCELLANEOUS IRON AND STEEL WORK INCLUDING ASSORTED CLIPS, BRACKETS, ANGLES, STRAPS, POST ANCHORS AND LIKE ITEMS. FURNISH AND INSTALL ALL SUCH ITEMS NECESSARY TO MAKE A COMPLETE INSTALLATION WHETHER OR NOT SPECIFICALLY DETAILED OR NOTED ON THE DRAWINGS. ALL EXTERIOR METAL AND HARDWARE IS TO BE GALVANIZED. STEEL IS TO BE ASTM A3.</p> <p>2. RAFTER VENTS ARE TO BE STAINLESS STEEL MESH AND ARE TO BE SIZED TO MEET REQUIRED VENTILATION TO ENCLOSED RAFTER SPACES. MAX 1/2" MIN 1/4" OPENING SIZE ON VENT SCREEN WITH CORROSION-RESISTANT WIRE SCREEN MATERIAL.</p> <p>3. FRAMER IS TO LAYOUT CEILING JOISTS/ROOF RAFTERS TO ACCOMMODATE RECESSED LIGHTS EXHAUST FANS OR OTHER ELECTRICAL/MECHANICAL FIXTURES.</p> <p>4. WOOD SOFFIT/CEILING, SIDING & TRIM ALL NAILS, FASTENERS AND HARDWARE MUST BE STAINLESS STEEL OR HOT-DIPPED GALVANIZED. STAPLES ARE NOT PERMITTED</p> <p>5. INSULATION THERMAL INSULATION IS TO BE FOIL BACKED OR AN APPROVED VAPOR BARRIER BATT INSULATION WITH AN R VALUE NOT LESS SPECIFIED IN THE TITLE 24 ENERGY CALCULATIONS. AT BATHROOMS, LAUNDRY ROOM, AND MASTER BED/BATHROOMS INSULATION IS TO BE PROVIDED WITH SOUND INSULATION.</p> <p>6. FLASHING AND SHEET METAL ALL FLASHING AND COUNTERTOP FLASHING IS TO BE GALVANIZED AND INSTALLED AS PER SMACNA STANDARDS. ALL PROPOSED FLASHING AND SHEET METAL MATERIALS, GAUGE AND INSTALLATION IS TO BE IN ACCORDANCE WITH SMACNA MANUAL STANDARDS.</p> <p>7. IN CONCEALED SPACES BETWEEN STAIR STRINGERS AT THE TOP AND BOTTOM OF THE RUN, ENCLOSED SPACES UNDER STAIRS SHALL COMPLY WITH SECTION R302.7.</p> <p>8. THE PURPOSE OF THESE DRAWINGS IS TO SHOW CONSTRUCTION MATERIAL ASSEMBLIES, FOR SPECIFIC SIZES AND DETAILS REFER TO ARCHITECTURAL PLANS, ELEVATIONS, DETAILS, & STRUCTURAL PLANS. "KEYNOTES ONLY APPLY IF REFERENCED ON PLANS"</p> <p>1. INSULATION: REFER TO TITLE 24 REPORT FOR ADDITIONAL RATINGS, REQUIREMENTS, AND INFORMATION</p> <p>2. FIRE BLOCKING TO BE LOCATED AT THE FOLLOWING LOCATIONS PER 2022 CRC SECTION R302.11: A. SECTION R302.11-1 1. FIREBLOCKING SHALL BE PROVIDED IN CONCEALED SPACES OF STUD WALLS AND PARTITIONS, INCLUDING FURRED SPACES AND PARALLEL ROWS OF STUDS OR STAGGERED STUDS, AS FOLLOWS: A. VERTICALLY AT CEILING AND FLOOR LEVELS B. HORIZONTALLY AT INTERVALS NOT EXCEEDING 10FT</p> <p>9. AT INTERCONNECTIONS BETWEEN CONCEALED VERTICAL AND HORIZONTAL SPACES SUCH AS SOFFITS, DROP CEILING AND COVE CEILING</p> <p>10. AT OPENINGS AROUND VENTS, PIPES, DUCTS, CABLES AND WIRES AT CEILING AND FLOOR LEVEL, WITH AN APPROVED MATERIAL TO RESIST THE FREE PASSAGE OF FLAME PRODUCTS OF COMBUSTION. THE MATERIAL FILLING THIS ANNULAR SPACE SHALL NOT BE REQUIRED TO MEET THE ASTM E136 REQUIREMENTS FOR THE FIREBLOCKING OF CHIMNEYS AND FIREPLACES, SEE SECTION R1003.19 FIREBLOCKING OF CORNICES OF A TWO-FAMILY DWELLING IS REQUIRED AT THE LINE OF DWELLING-UNIT SEPARATION</p> <p>11. SECTION R302.11.1 - FIREBLOCKING MATERIALS SHALL CONSIST OF FOLLOWING MATERIALS: 1. TWO-INCH NOMINAL LUMBER WITH BROKEN LAP JOINTS 2. TWO THICKNESS OF ONE-INCH NOMINAL LUMBER WITH BROKEN LAP JOINTS 3. THE THICKNESS OF 0.719-INCH WOOD STRUCTURAL PANELS WITH JOINTS BACKED BY 0.719-INCH WOOD STRUCTURAL PANELS 4. THE THICKNESS OF 0.75-INCH PARTICLE BOARD WITH JOINTS BACKED BY 0.75-INCH PARTICLE BOARD 5. ONE HALF-INCH GYPSUM BOARD 6. ONE FOURTH-INCH CEMENT-BASED MILLBOARD 7. BATTS OR BLANKETS OF MINERAL WOOL, MINERAL FIBER OR OTHER APPROVED MATERIAL, INSTALLED IN SUCH A MANNER AS TO BE SECURELY RETAINED IN PLACE 8. CELLULOSE INSULATION INSTALLED AS TESTED IN ACCORDANCE WITH ASTM E119 OR UL 263, FOR THE SPECIFIC APPLICATION</p>	<p>LEGEND</p> <p>SECTION CUT</p> <p>ELEVATION CALLOUT</p> <p>DETAIL DRAWING REF.</p> <p>ELEVATION MARKER</p>

BY USING THESE PERMIT READY CONSTRUCTION DOCUMENTS, THE RECIPIENT ACKNOWLEDGES, ACCEPTS AND VOLUNTARILY AFFIRMS THE FOLLOWING CONDITIONS:
1. THE USE OF THIS INFORMATION IS RESTRICTED TO THE ORIGINAL PROJECT FOR WHICH IT WAS PREPARED FOR THE PERMIT READY ACCESSORY DWELLING UNIT (ADU) PROGRAM FOR THE COUNTY OF INYO ONLY. THIS IS A LIMITED SET OF STANDARDIZED ADU PLANS AND SPECIFICATIONS APPROVED BY THE COUNTY OF INYO BUILDING DEPARTMENT. BUILDING CODES DO CHANGE OVER TIME AND RECIPIENT SHALL ENSURE FULL COMPLIANCE UNDER ALL CODES THEN IN EFFECT AT THE TIME OF THE SUBJECT PERMIT. THIS DOES NOT ELIMINATE OR REDUCE THE RECIPIENT'S RESPONSIBILITY TO VERIFY ANY AND ALL INFORMATION RELEVANT TO THE RECIPIENT'S WORK AND RESPONSIBILITY ON THIS PROJECT. DESIGN PATH STUDIO SHALL NOT BE RESPONSIBLE FOR TRANSLATION ERRORS. DO NOT USE THESE CONSTRUCTION DOCUMENTS IF THE PERMIT HAS EXPIRED OR IS REVOKED AT ALL.
2. THE RECIPIENT RECOGNIZES AND ACKNOWLEDGES THAT THE USE OF THIS INFORMATION WILL BE AT THEIR SOLE RISK AND WITHOUT ANY LIABILITY OR LEGAL EXPOSURE TO DESIGN PATH STUDIO. NO WARRANTIES OF ANY NATURE, WHETHER EXPRESS OR IMPLIED, SHALL ATTACH TO THESE DOCUMENTS AND THE INFORMATION CONTAINED THEREON. ANY USE, REUSE, OR ALTERATION OF THESE DOCUMENTS BY THE RECIPIENT OR BY OTHERS WILL BE AT THE RECIPIENT'S RISK AND FULL LEGAL RESPONSIBILITY. FURTHERMORE, THE RECIPIENT WILL, TO THE FULLEST EXTENT PERMITTED BY LAW, DEFEND, INDEMNIFY AND HOLD DESIGN PATH STUDIO AND ITS ARCHITECTS HARMLESS FROM ANY AND ALL CLAIMS, SUITS, LIABILITY, DEMANDS, JUDGMENTS, OR COSTS ARISING OUT OF OR RESULTING THERE FROM ANY USE OF THESE CONSTRUCTION DOCUMENTS FOR OR ON ACCOUNT OF ANY INJURY, DEATH, DAMAGE OR LOSS TO PERSONS OR PROPERTY, DIRECT OR CONSEQUENTIAL DAMAGES IN ANY AMOUNT. THIS INDEMNITY DOES NOT APPLY TO THE SOLE NEGLIGENCE OR WILLFUL MISCONDUCT OF DESIGN PATH STUDIO OR ITS ARCHITECTS.
3. THE DESIGNS REPRESENTED BY THESE PLANS ARE COPYRIGHTED AND ARE SUBJECT TO COPYRIGHT PROTECTION.
4. IF THE RECIPIENT DOES NOT AGREE WITH THE ABOVE CONDITIONS, DO NOT PROCEED WITH CONSTRUCTION OF AN ADU OR OTHER IMPROVEMENT UNDER THESE PLANS AT ALL.

project
County of Inyo
Pre-Approved
ADU/SFD Program

revisions
△
△
△
△
△
description
Building
Sections
Traditional

date 2024
project no. INYO COUNTY ADU/SFDs
drawn by DESIGN PATH STUDIO
sheet no.

R403.3 FROST-PROTECTED SHALLOW FOUNDATION

FOR BUILDINGS WHERE THE MONTHLY MEAN TEMPERATURE OF THE BUILDING IS MAINTAINED AT NOT LESS THAN 64 F (18 C), FOOTINGS ARE NOT REQUIRED TO EXTEND BELOW THE FROST LINE WHERE PROTECTED FROM FROST BY INSULATION IN ACCORDANCE WITH FIGURE R403.3(1) AND TABLE R403.3(1). FOUNDATIONS PROTECTED FROM FROST IN ACCORDANCE WITH FIGURE R403.3(1) AND TABLE R403.3(1) SHALL NOT BE USED FOR UNHEATED SPACES SUCH AS PORCHES, UTILITY ROOMS, GARAGE, AND CARPORTS, AND SHALL NOT BE ATTACHED TO BASEMENTS OR CRAWL SPACES THAT ARE NOT MAINTAINED AT A MINIMUM MONTHLY MEAN TEMPERATURE OF 64 F (18 C)

MATERIALS USED BELOW GRADE FOR THE PURPOSE OF INSULATING FOOTINGS AGAINST FROST SHALL BE LABELED AS COMPLYING WITH ASTM C578

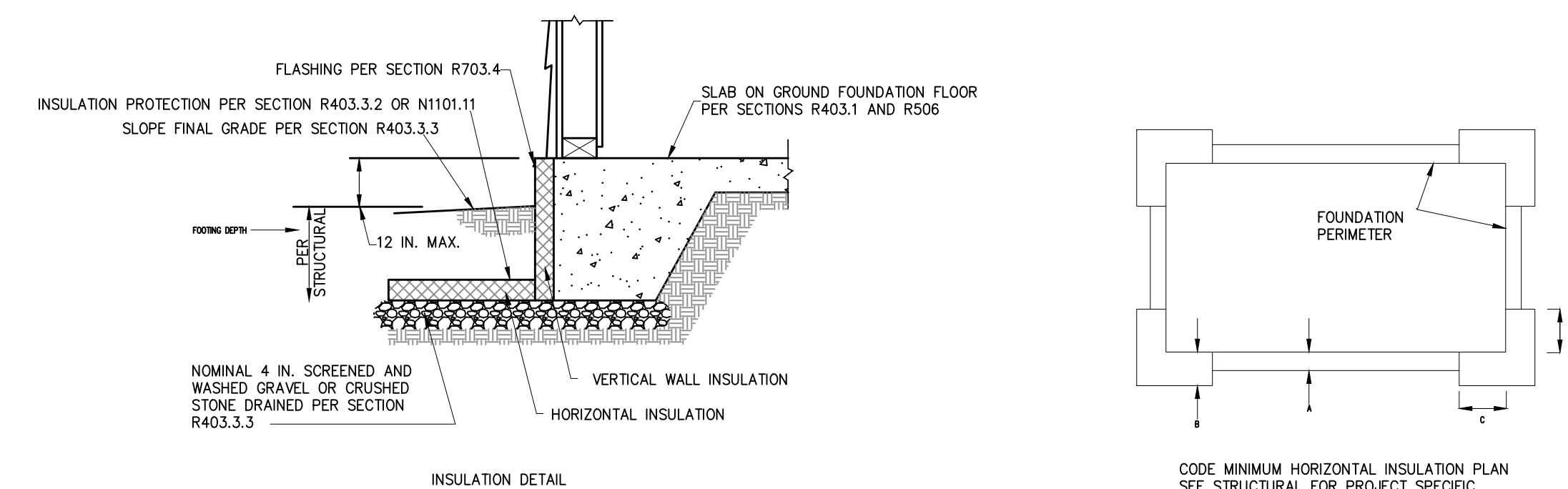


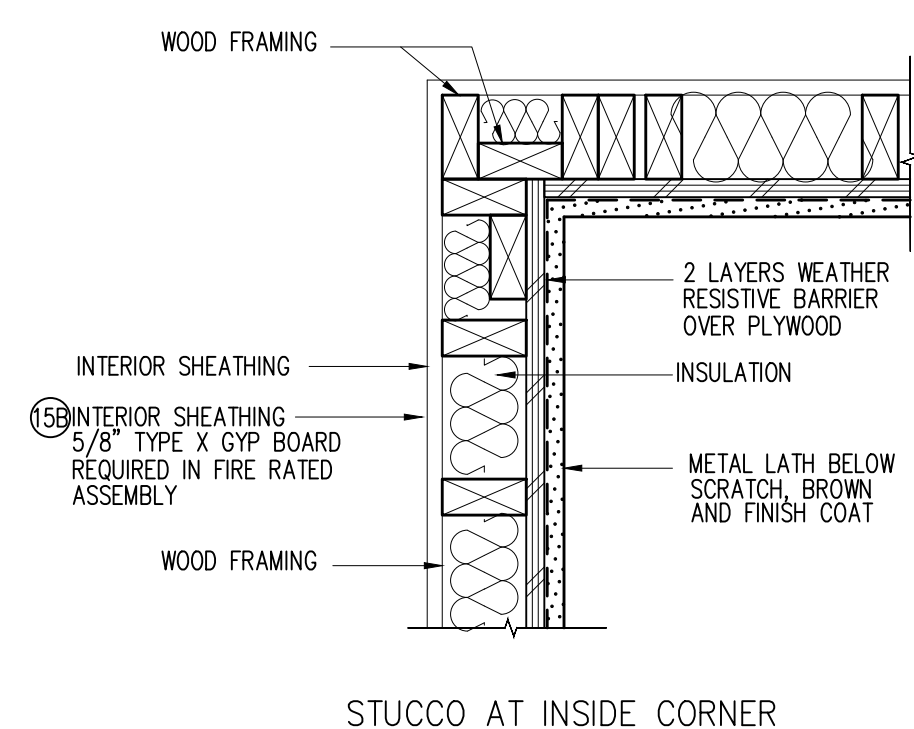
TABLE R403.3(1) MINIMUM FOOTING DEPTH AND INSULATION REQUIREMENTS FOR FROST-PROTECTED FOOTINGS IN HEATED BUILDINGS^a

AIR-FREEZING INDEX (°F days) ^b	MINIMUM FOOTING DEPTH, D (inches)	VERTICAL INSULATION R-VALUE ^c	HORIZONTAL INSULATION R-VALUE ^e		HORIZONTAL INSULATION DIMENSIONS PER FIGURE R403.3(1) (inches)		
			Along walls	At corners	A	B	C
1,500 or less	12	4.5	Not required	Not required	Not required	Not required	Not required
2,000	14	5.6	Not required	Not required	Not required	Not required	Not required
2,500	16	6.7	1.7	4.9	12	24	40
3,000	16	7.8	6.5	8.6	12	24	40
3,500	16	9.0	8.0	11.2	24	30	60
4,000	16	10.1	10.5	13.1	24	36	60

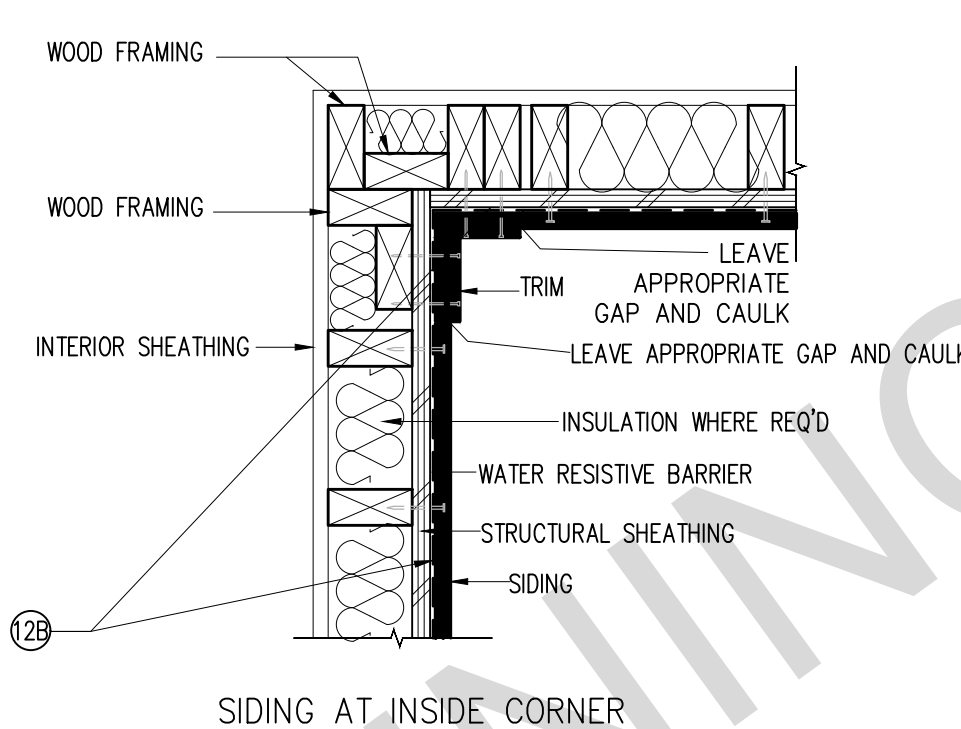
For SI: 1 inch = 25.4 mm, °C = (°F) - 32 / 1.8

- Insulation requirements are for protection against frost damage in heated buildings. Greater values could be required to meet energy conservation standards.
- See Figure R403.3(2) or Table R403.3(2) for Air-Freezing Index values.
- Insulation materials shall provide the stated minimum R-values under long-term exposure to most below-ground conditions in freezing climates. The following R-values shall be used to determine insulation thicknesses required for this application: Type II expanded polystyrene (EPS)-3.2 R per inch for vertical insulation and 2.6 R per inch for horizontal insulation; Type IX expanded polystyrene (EPS)-3.4 R per inch for vertical insulation and 2.6 R per inch for horizontal insulation; Types IV, V, VI, VII, and X extruded polystyrene (XPS)-4.5 R per inch for vertical insulation and 4.0 R per inch for horizontal insulation.
- Vertical insulation shall be expanded polystyrene insulation or extruded polystyrene insulation.
- Horizontal insulation shall be expanded polystyrene insulation or extruded polystyrene insulation.

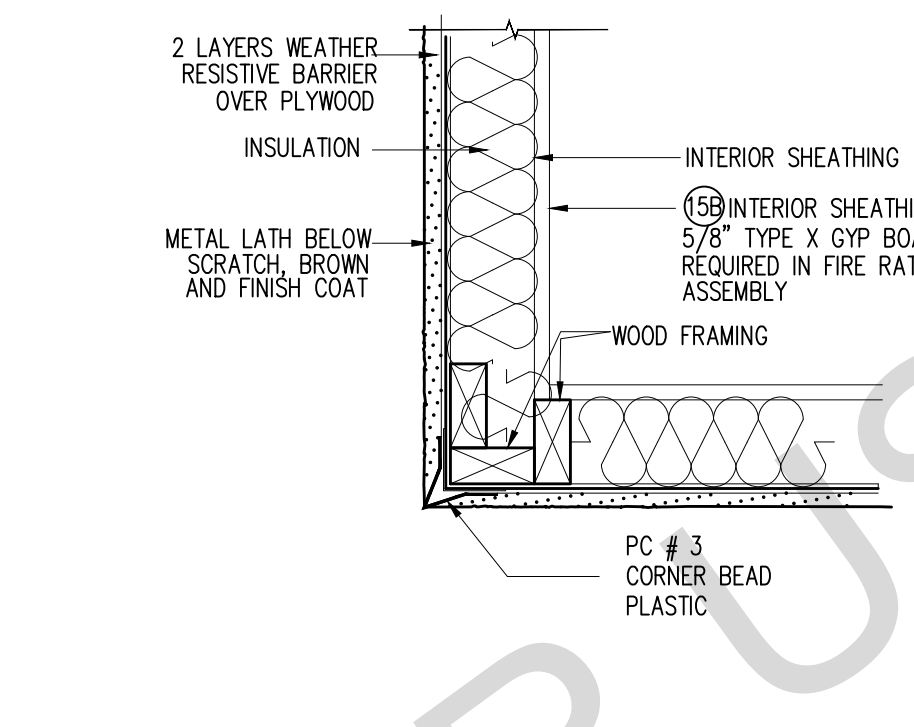
14 TYPICAL DETAIL FOR FROST PROTECTED SHALLOW FOOTING
SCALE: NTS



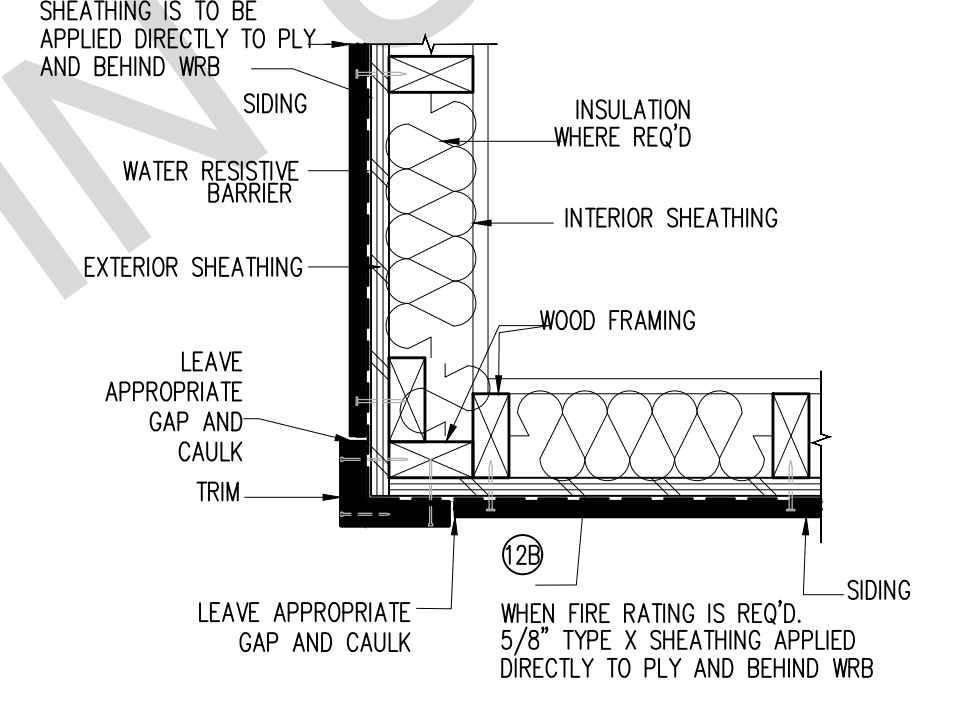
15B FIRE RATED STUCCO WALL



12B FIRE RATED SIDING WALL



15A STUCCO AT OUTSIDE CORNER



12A SIDING AT OUTSIDE CORNER

15B FIRE RATED STUCCO WALL

15 STUCCO WALL

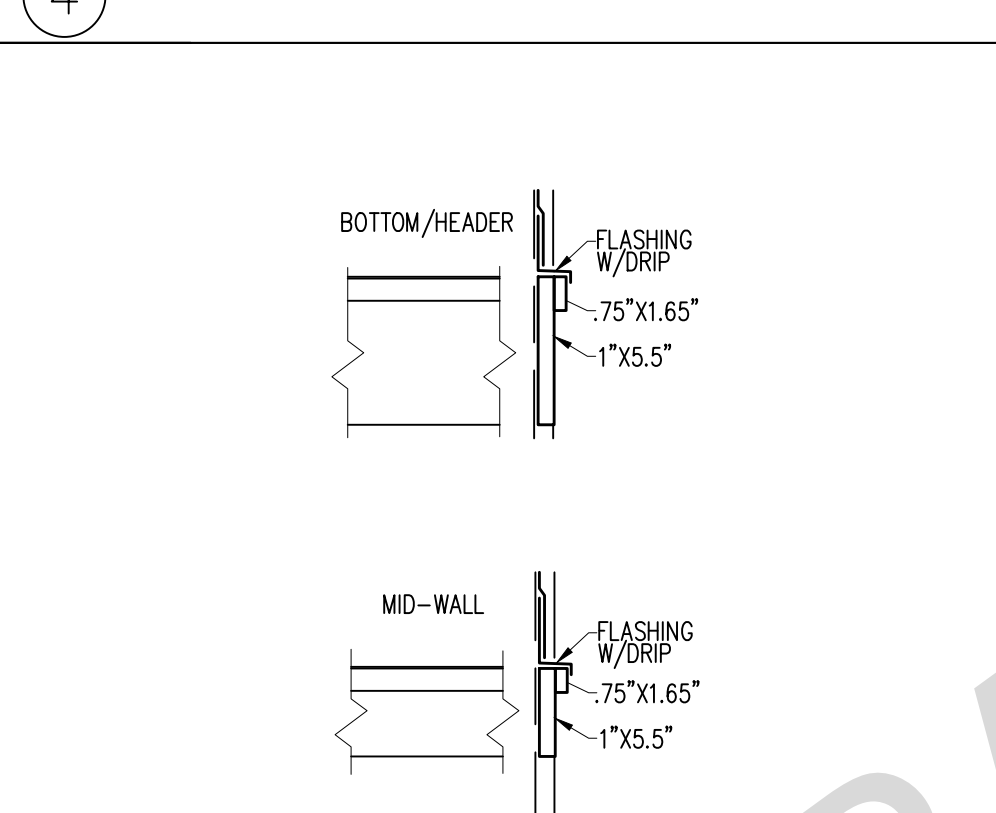
SCALE: 1/2"=1'-0"

12B FIRE RATED SIDING WALL

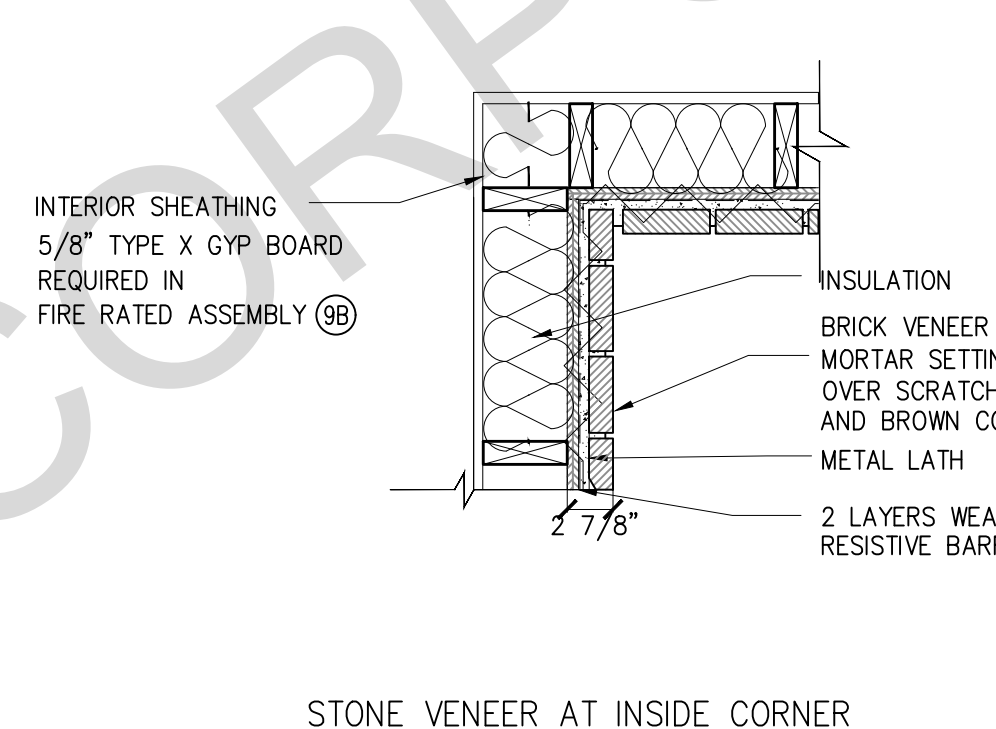
12 SIDING WALL

SCALE: 1/2"=1'-0"

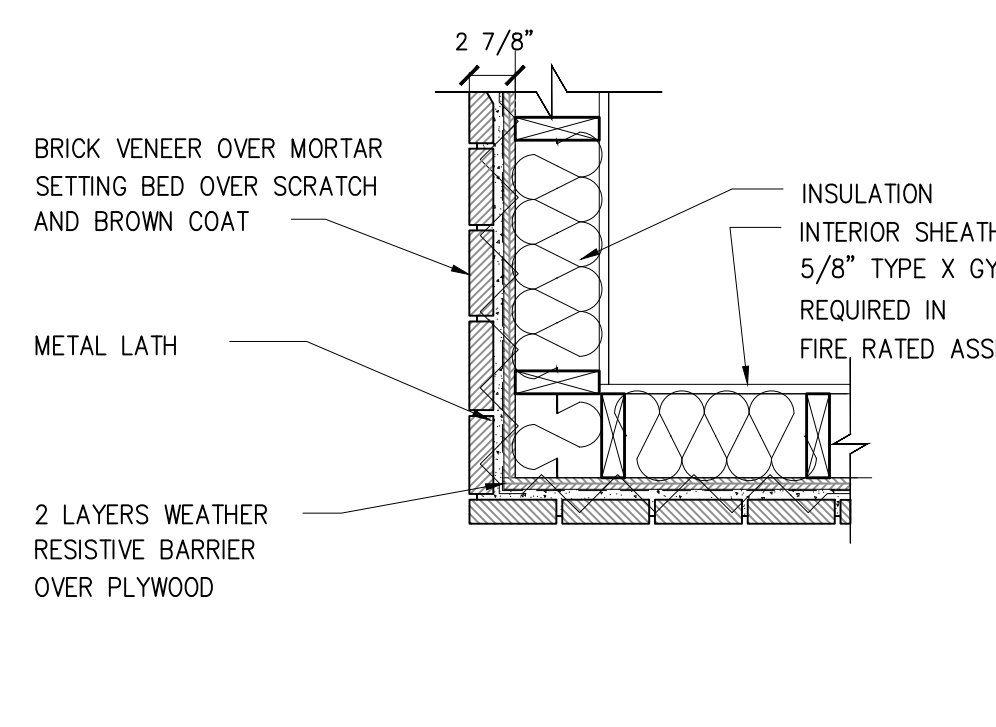
4 FIRE RESISTIVE 1-HOUR WOOD FRAMED WALLS



8 TRIM PROFILE



8B FIRE RATED STONE WALL



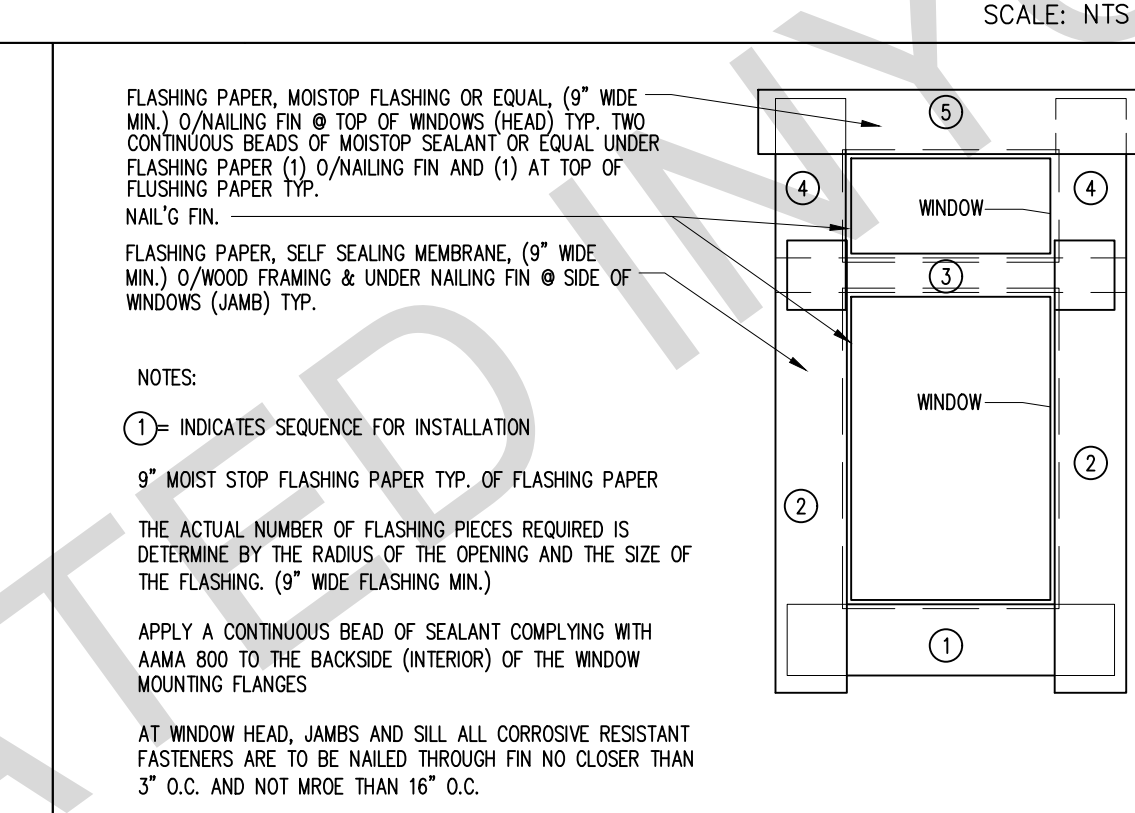
9B FIRE RATED STONE WALL

9B FIRE RATED STONE WALL

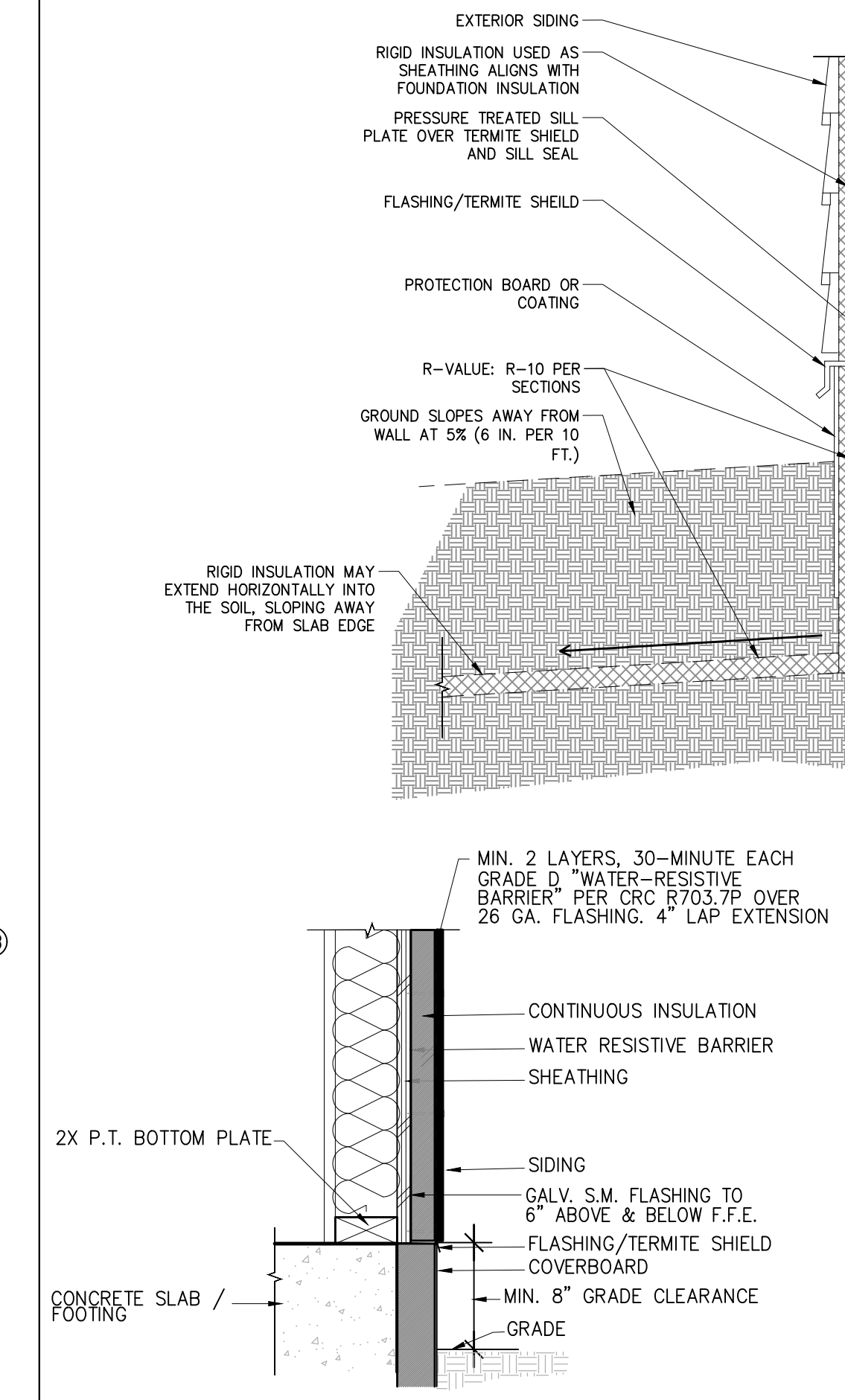
9 STONE WALL

SCALE: 1/2"=1'-0"

5 WINDOW FLASHING



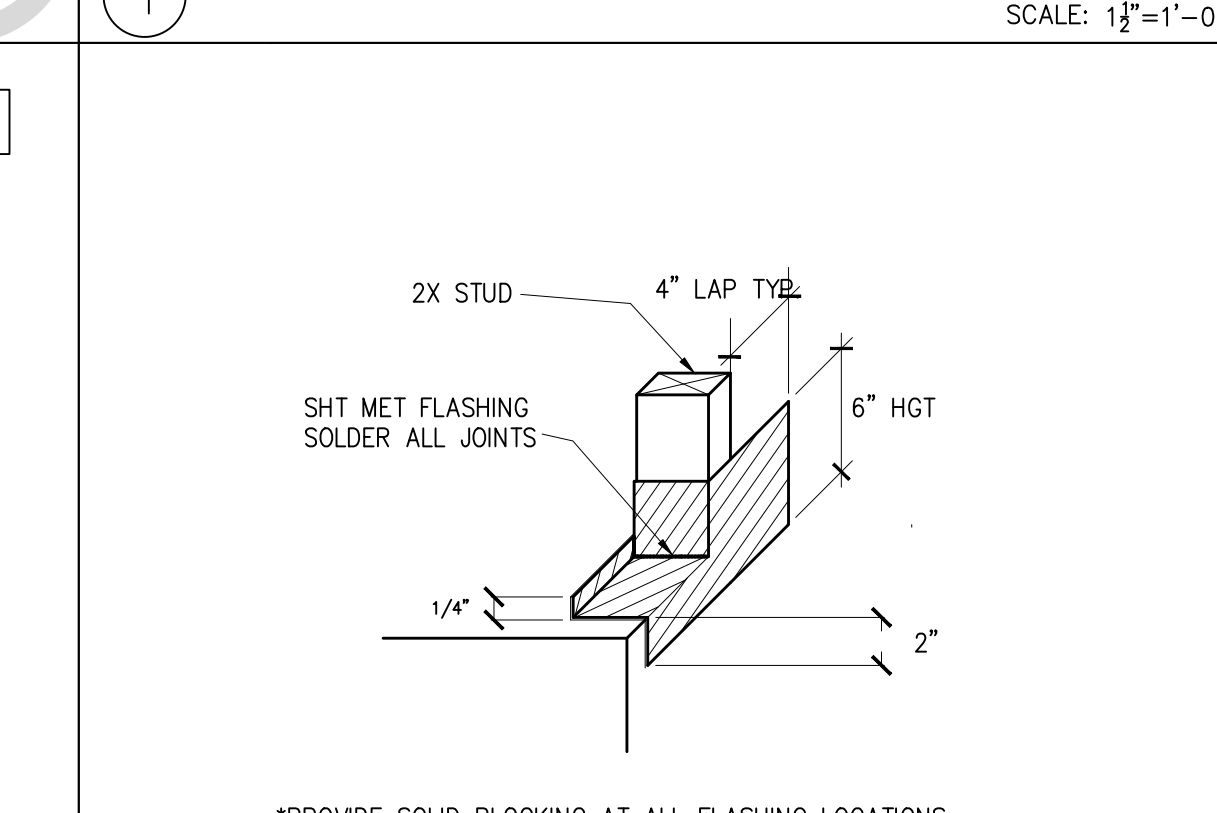
5 WINDOW FLASHING



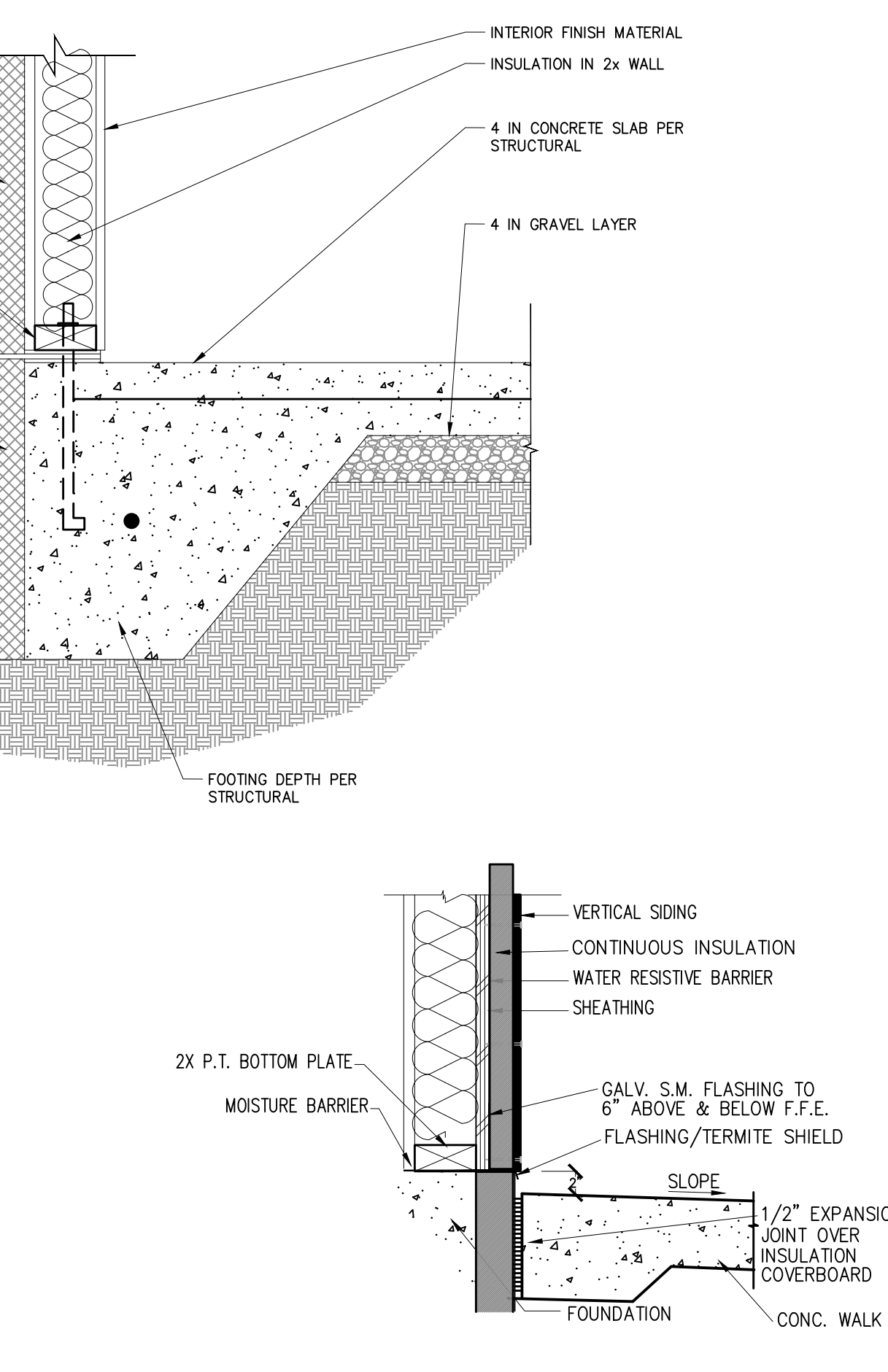
6 SIDING - WALL SECTION

6 SIDING - WALL SECTION

1 WINDOW SILL FLASHING



2 DOOR THRESHOLD FLASHING



6 SIDING - WALL SECTION

6 SIDING - WALL SECTION

BY USING THESE PERMIT READY CONSTRUCTION DOCUMENTS, THE RECIPIENT ACKNOWLEDGES, ACCEPTS AND VOLUNTARILY AFFIRMS THE FOLLOWING CONDITIONS:
1. THE USE OF THIS INFORMATION IS RESTRICTED TO THE ORIGINAL PROJECT FOR WHICH IT WAS PREPARED FOR THE PERMIT READY ACCESSORY DWELLING UNIT (ADU) PROGRAM FOR THE COUNTY OF INYO ONLY. THIS IS A LIMITED SET OF STANDARDIZED ADU PLANS AND SPECIFICATIONS APPROVED BY THE COUNTY OF INYO BUILDING DEPARTMENT. BUILDING CODES DO CHANGE OVER TIME AND RECIPIENT SHALL ENSURE FULL COMPLIANCE UNDER ALL CODES THEN IN EFFECT AT THE TIME OF THE SUBJECT PERMIT. THIS DOES NOT ELIMINATE OR REDUCE THE RECIPIENT'S RESPONSIBILITY TO VERIFY ANY AND ALL INFORMATION RELEVANT TO THE RECIPIENT'S WORK AND RESPONSIBILITY ON THIS PROJECT. DESIGN PATH STUDIO SHALL NOT BE RESPONSIBLE FOR TRANSLATION ERRORS. DO NOT USE THESE CONSTRUCTION DOCUMENTS IF THE PERMIT HAS EXPIRED OR IS REVOKED AT ALL.
2. THE RECIPIENT RECOGNIZES AND ACKNOWLEDGES THAT THE USE OF THIS INFORMATION WILL BE AT THEIR SOLE RISK AND WITHOUT ANY LIABILITY OR LEGAL OBLIGATION TO DESIGN PATH STUDIO. NO WARRANTIES OF ANY NATURE, WHETHER EXPRESS OR IMPLIED, SHALL ATTACH TO THESE DOCUMENTS AND THE INFORMATION CONTAINED THEREON. ANY USE, REUSE, OR ALTERATION OF THESE DOCUMENTS BY THE RECIPIENT OR BY OTHERS WILL BE AT THE RECIPIENT'S RISK AND FULL LEGAL RESPONSIBILITY. FURTHERMORE, THE RECIPIENT WILL, TO THE FULLEST EXTENT PERMITTED BY LAW, DEFEND, INDEMNIFY AND HOLD DESIGN PATH STUDIO AND ITS ARCHITECTS HARMLESS FROM ANY AND ALL CLAIMS, SUITS, LIABILITY, DEMANDS, JUDGMENTS, OR COSTS ARISING OUT OF OR RESULTING THEREFROM IN ANY USE OF THESE CONSTRUCTION DOCUMENTS FOR OR ON ACCOUNT OF ANY INJURY, DEATH, DAMAGE OR LOSS TO PERSONS OR PROPERTY, DIRECT OR CONSEQUENTIAL DAMAGES IN ANY AMOUNT. THIS INDEMNITY DOES NOT APPLY TO THE SOLE NEGLIGENCE OR WILLFUL MISCONDUCT OF DESIGN PATH STUDIO OR ITS ARCHITECTS.
3. THE DESIGNS REPRESENTED BY THESE PLANS ARE COPYRIGHTED AND ARE SUBJECT TO COPYRIGHT PROTECTION.
4. IF THE RECIPIENT DOES NOT AGREE WITH THE ABOVE CONDITIONS, DO NOT PROCEED WITH CONSTRUCTION OF AN ADU OR OTHER IMPROVEMENT UNDER THESE PLANS AT ALL.

project
County of Inyo
Pre-Approved
ADU/SFD Program

revisions
△
△
△
△
△

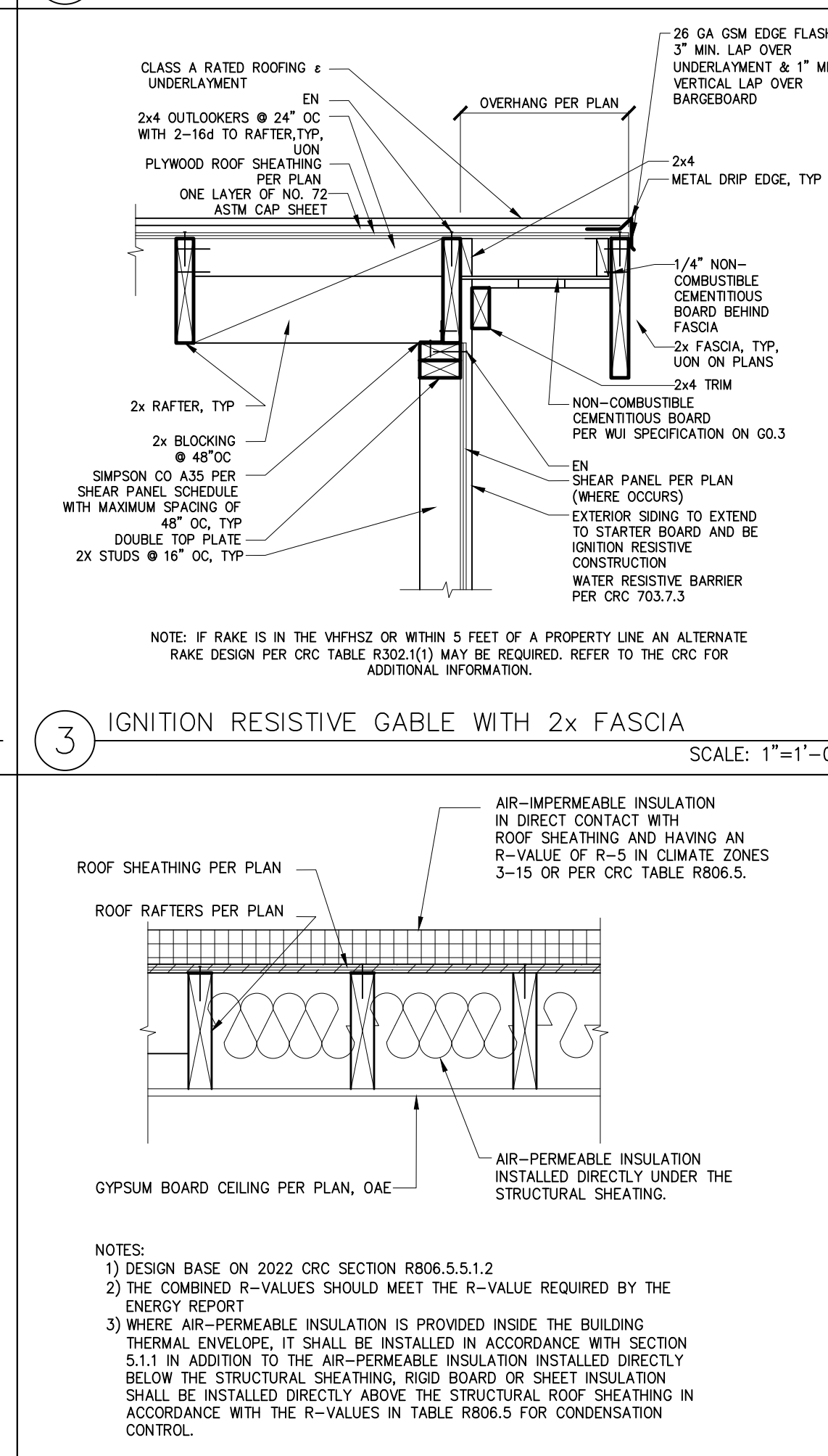
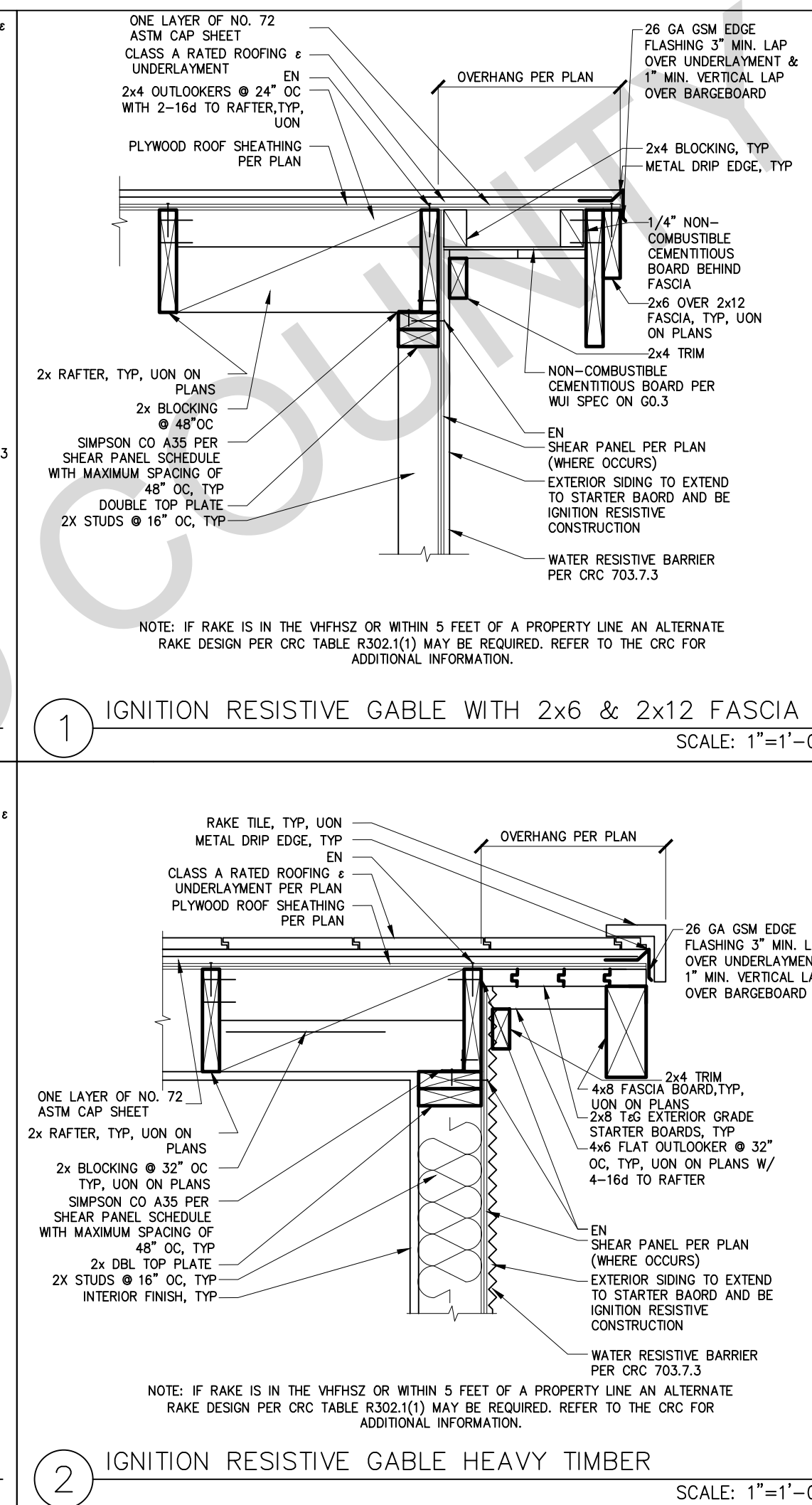
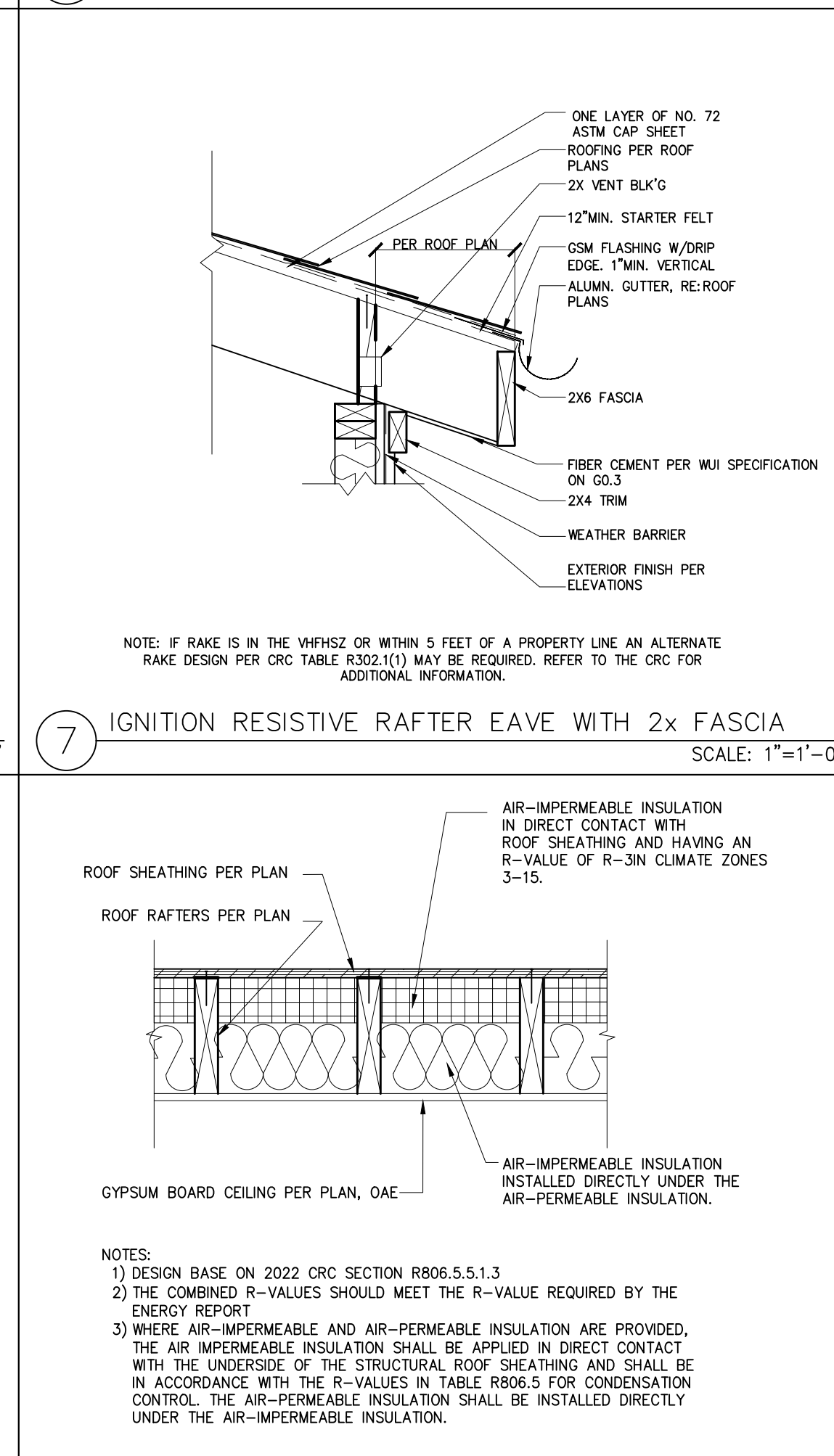
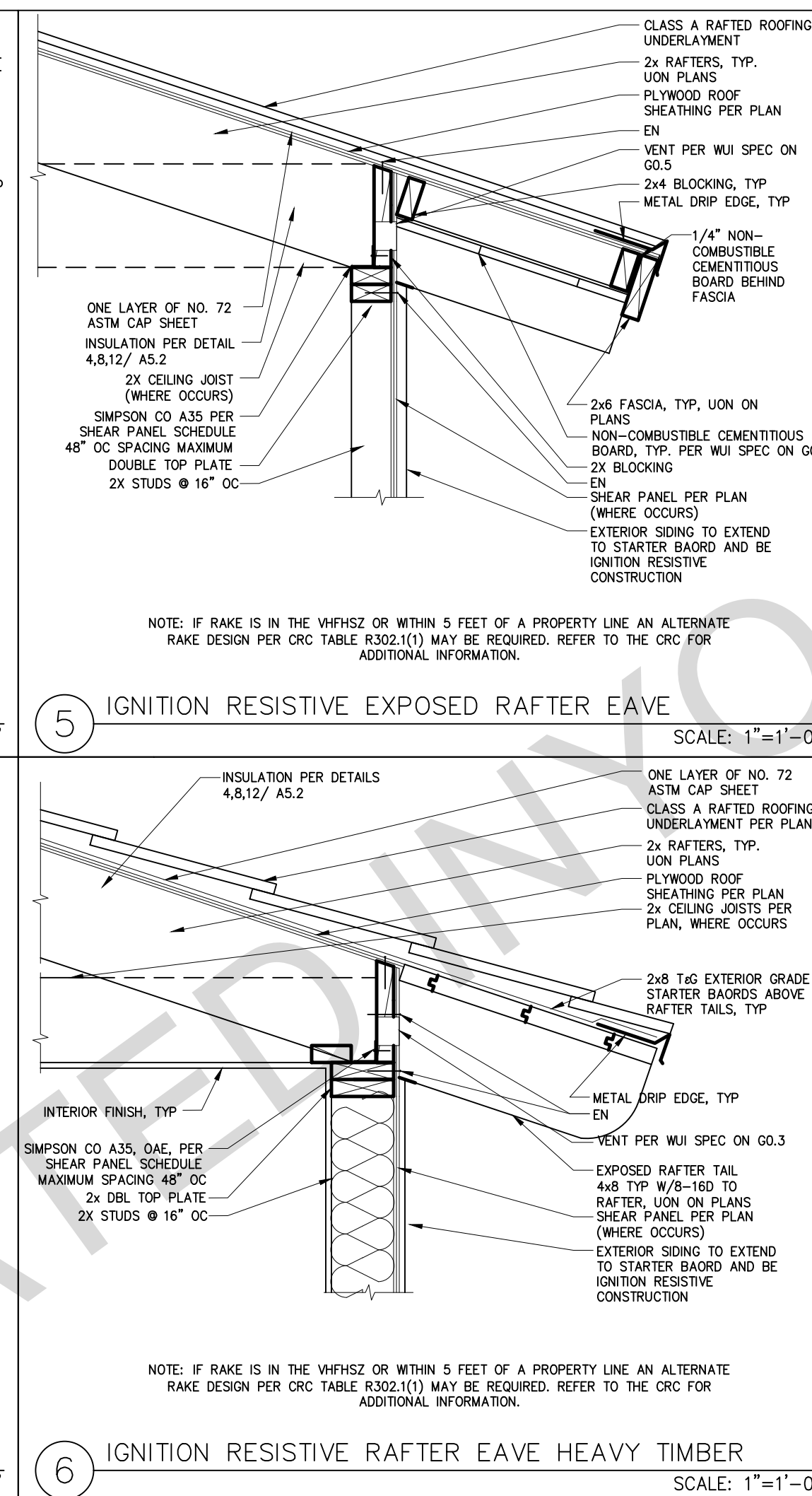
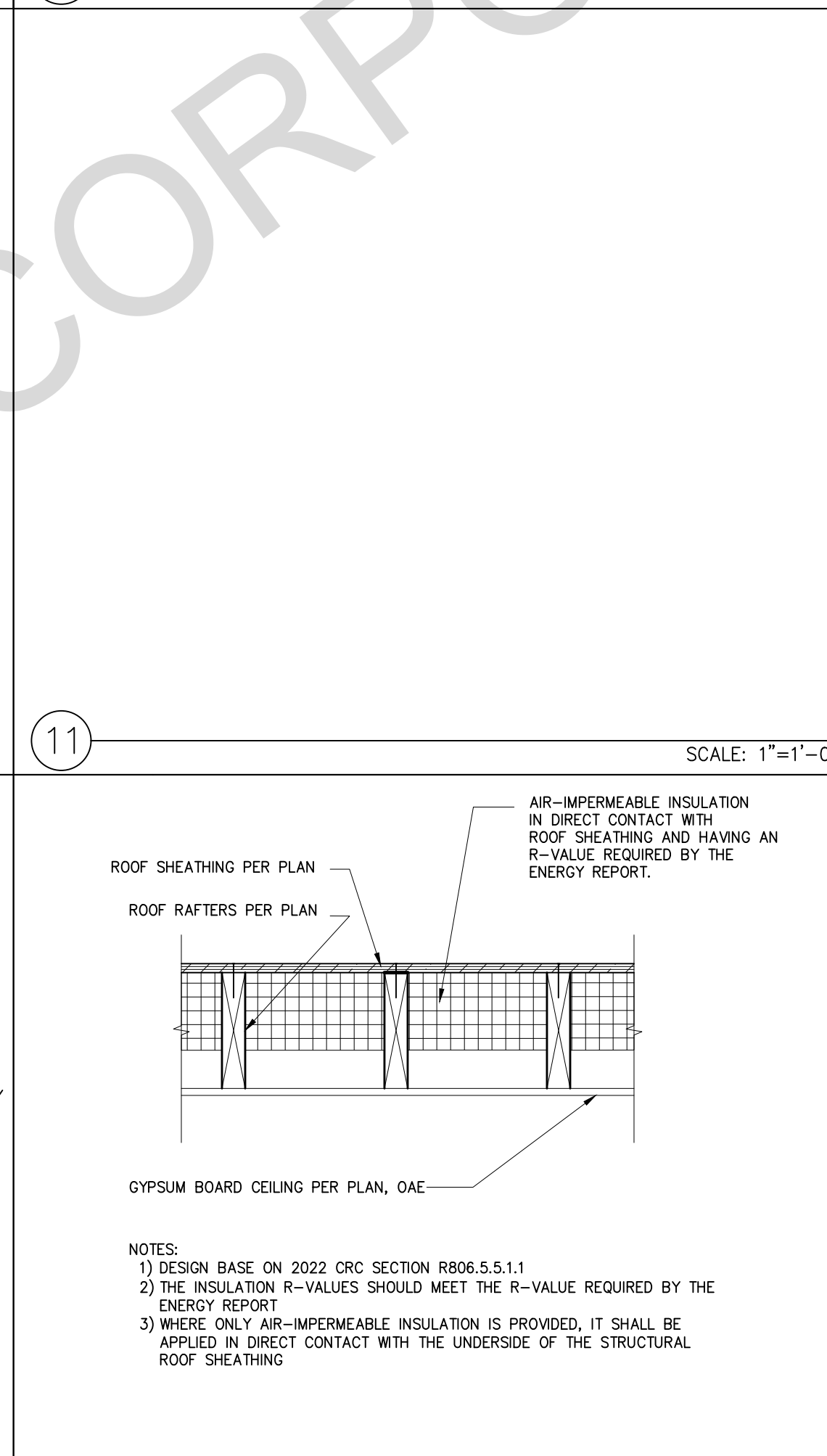
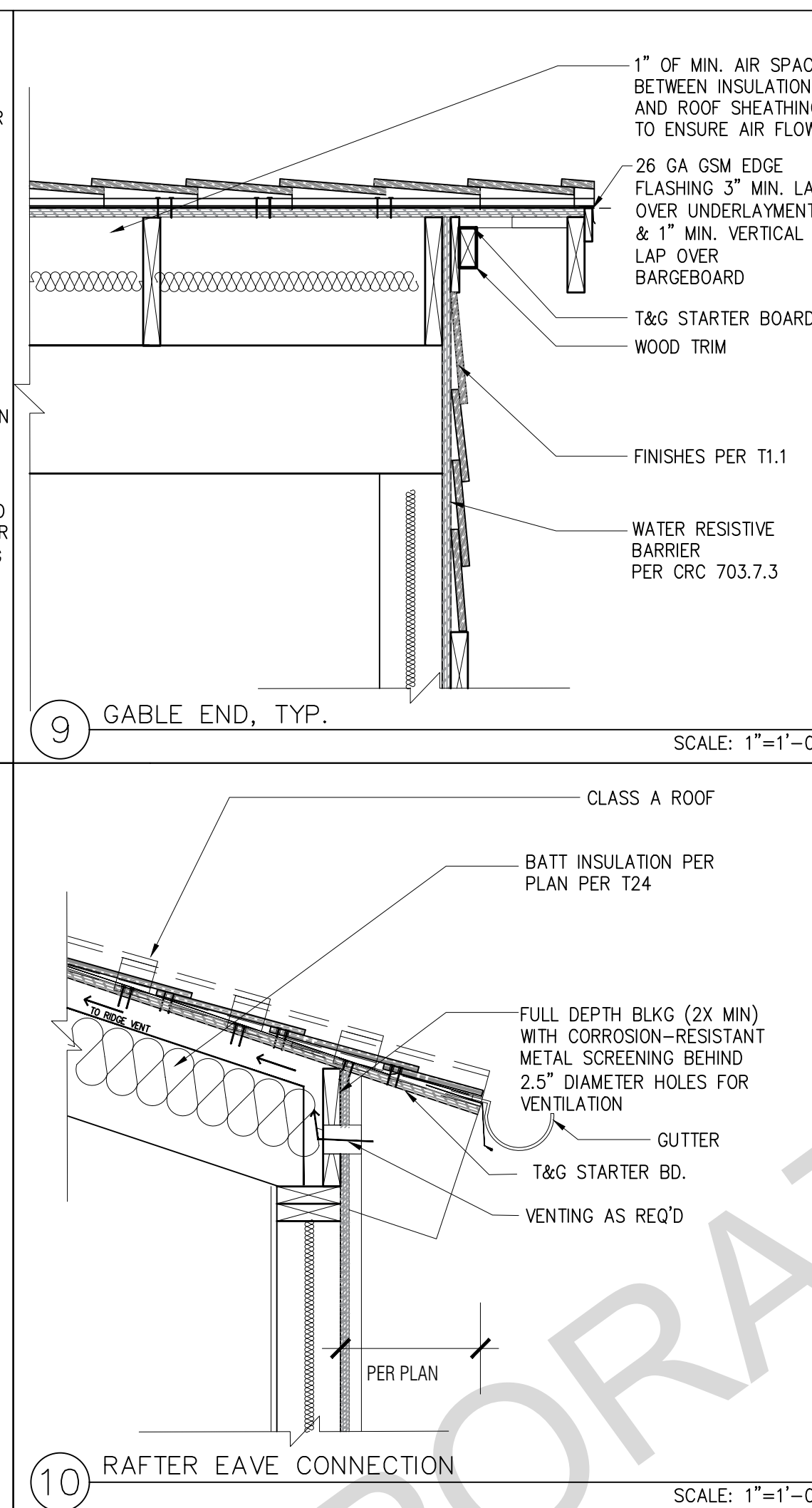
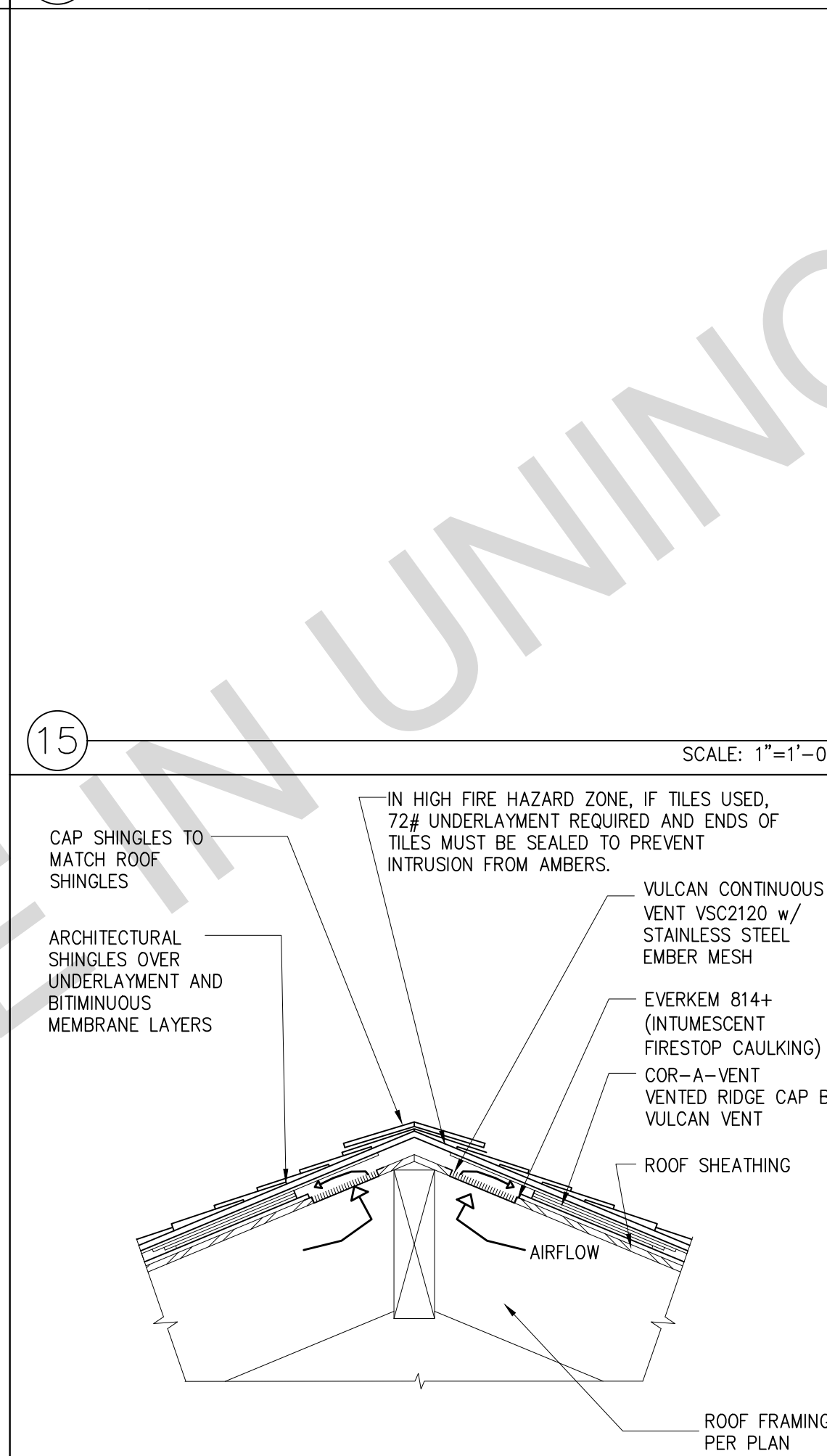
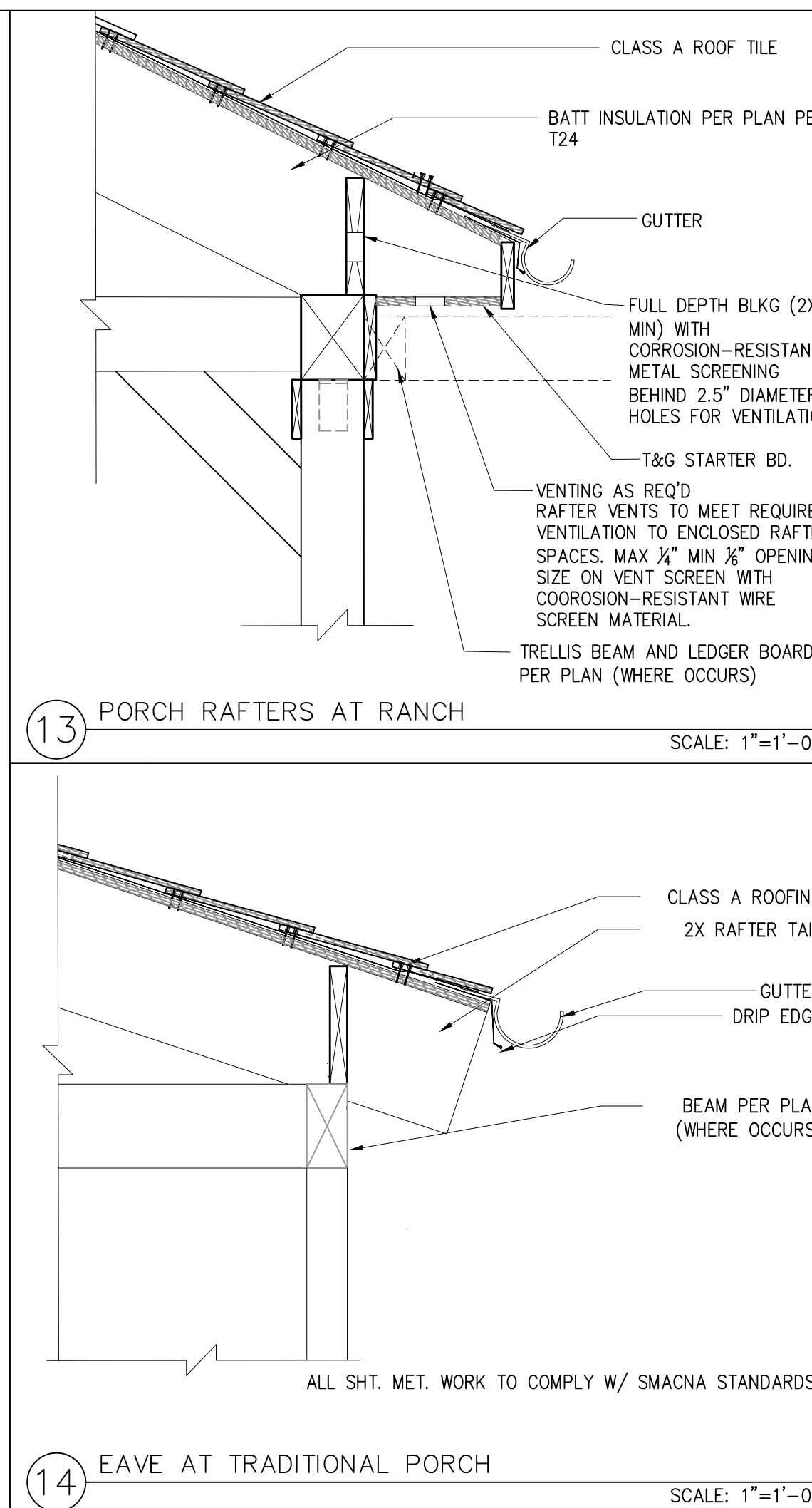
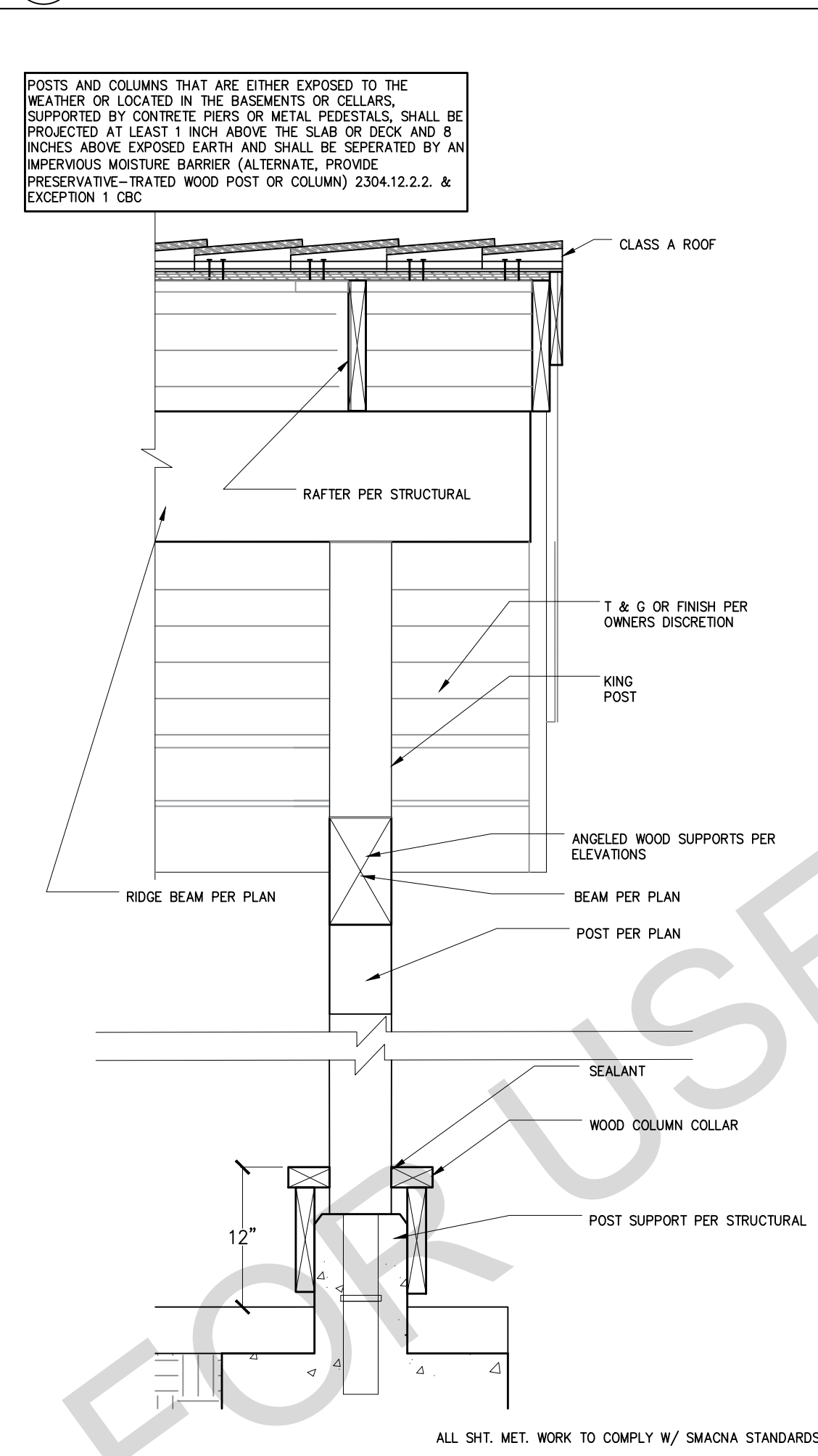
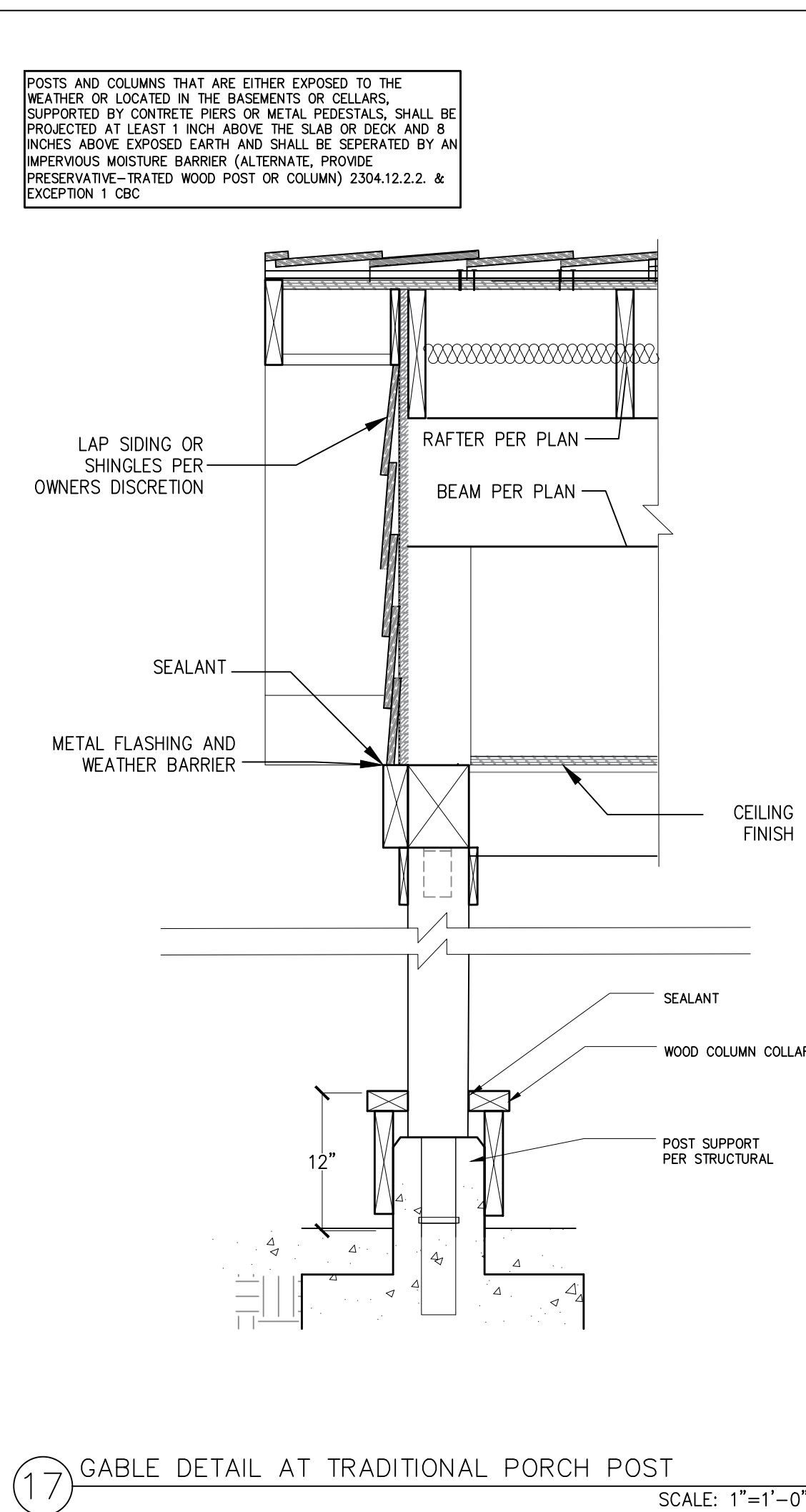
description
Architectural
Wall Finish
Details

date 2024

project no. INYO COUNTY ADU/SFDs

drawn by DESIGN PATH STUDIO

sheet no. **A5.1**



BY USING THESE PERMIT READY CONSTRUCTION DOCUMENTS, THE RECIPIENT ACKNOWLEDGES, ACCEPTS AND VOLUNTARILY AFFIRMS THE FOLLOWING CONDITIONS:
 1. THE USE OF THIS INFORMATION IS RESTRICTED TO THE ORIGINAL PROJECT FOR WHICH IT WAS PREPARED FOR THE PERMIT READY ACCESSORY DWELLING UNIT (ADU) PROGRAM FOR THE COUNTY OF INYO ONLY. THIS IS A LIMITED SET OF STANDARDIZED ADU PLANS AND SPECIFICATIONS APPROVED BY THE COUNTY OF INYO BUILDING DEPARTMENT. BUILDING CODES DO CHANGE OVER TIME AND RECIPIENT SHALL ENSURE FULL COMPLIANCE UNDER ALL CODES THEN IN EFFECT AT THE TIME OF THE SUBJECT PERMIT. THIS DOES NOT ELIMINATE OR REDUCE THE RECIPIENT'S RESPONSIBILITY TO VERIFY ANY AND ALL INFORMATION RELEVANT TO THE RECIPIENT'S WORK AND RESPONSIBILITY ON THIS PROJECT. DESIGN PATH STUDIO SHALL NOT BE RESPONSIBLE FOR TRANSLATION ERRORS. DO NOT USE THESE CONSTRUCTION DOCUMENTS IF THE PERMIT HAS EXPIRED OR IS REVOKED AT ALL.
 2. THE RECIPIENT RECOGNIZES AND ACKNOWLEDGES THAT THE USE OF THIS INFORMATION WILL BE AT THEIR SOLE RISK AND WITHOUT ANY LIABILITY OR LEGAL EXPOSURE TO DESIGN PATH STUDIO. NO WARRANTIES OF ANY NATURE, WHETHER EXPRESS OR IMPLIED, SHALL ATTACH TO THESE DOCUMENTS AND THE INFORMATION CONTAINED THEREON. ANY USE, REUSE, OR ALTERATION OF THESE DOCUMENTS BY THE RECIPIENT OR BY OTHERS WILL BE AT THE RECIPIENT'S RISK AND FULL LEGAL RESPONSIBILITY. FURTHERMORE, THE RECIPIENT WILL TO THE FULLEST EXTENT PERMITTED BY LAW, DEFEND, INDEMNIFY AND HOLD DESIGN PATH STUDIO AND ITS ARCHITECTS HARMLESS FROM ANY AND ALL CLAIMS, SUITS, LIABILITY, DEMANDS, JUDGMENTS, OR COSTS ARISING OUT OF OR RESULTING THEREFROM ANY USE OF THESE CONSTRUCTION DOCUMENTS FOR OR ON ACCOUNT OF ANY INJURY, DEATH, DAMAGE OR LOSS TO PERSONS OR PROPERTY, DIRECT OR CONSEQUENTIAL DAMAGES IN ANY AMOUNT. THIS INDEMNITY DOES NOT APPLY TO THE SOLE NEGLIGENCE OR WILLFUL MISCONDUCT OF DESIGN PATH STUDIO OR ITS ARCHITECTS.
 3. THE DESIGNS REPRESENTED BY THESE PLANS ARE COPYRIGHTED AND ARE SUBJECT TO COPYRIGHT PROTECTION.
 4. IF THE RECIPIENT DOES NOT AGREE WITH THE ABOVE CONDITIONS, DO NOT PROCEED WITH CONSTRUCTION OF AN ADU OR OTHER IMPROVEMENT UNDER THESE PLANS AT ALL.

BY USING THESE PERMIT READY CONSTRUCTION DOCUMENTS, THE RECIPIENT ACKNOWLEDGES, ACCEPTS AND VOLUNTARILY AFFIRMS THE FOLLOWING CONDITIONS:
1. THE USE OF THIS INFORMATION IS RESTRICTED TO THE ORIGINAL PROJECT FOR WHICH IT WAS PREPARED FOR THE PERMIT READY ACCESSORY DWELLING UNIT (ADU) PROGRAM FOR THE COUNTY OF INYO ONLY. THIS IS A LIMITED SET OF STANDARDIZED ADU PLANS AND SPECIFICATIONS APPROVED BY THE COUNTY OF INYO BUILDING DEPARTMENT. BUILDING CODES DO CHANGE OVER TIME AND RECIPIENT SHALL ENSURE FULL COMPLIANCE UNDER ALL CODES THEN IN EFFECT AT THE TIME OF THE SUBJECT PERMIT. THIS DOES NOT ELIMINATE OR REDUCE THE RECIPIENT'S RESPONSIBILITY TO VERIFY ANY AND ALL INFORMATION RELEVANT TO THE RECIPIENT'S WORK AND RESPONSIBILITY ON THIS PROJECT. DESIGN PATH STUDIO SHALL NOT BE RESPONSIBLE FOR TRANSLATION ERRORS. DO NOT USE THESE CONSTRUCTION DOCUMENTS IF THE PERMIT HAS EXPIRED OR IS REVOKED AT ALL.
2. THE RECIPIENT RECOGNIZES AND ACKNOWLEDGES THAT THE USE OF THIS INFORMATION WILL BE AT THEIR SOLE RISK AND WITHOUT ANY LIABILITY OR LEGAL RECOURSE TO DESIGN PATH STUDIO. NO WARRANTIES OF ANY NATURE, WHETHER EXPRESS OR IMPLIED, SHALL ATTACH TO THESE DOCUMENTS AND THE INFORMATION CONTAINED THEREON. ANY USE, REUSE, OR ALTERATION OF THESE DOCUMENTS BY THE RECIPIENT OR BY OTHERS WILL BE AT THE RECIPIENT'S RISK AND FULL LEGAL RESPONSIBILITY. FURTHERMORE, THE RECIPIENT WILL, TO THE FULLEST EXTENT PERMITTED BY LAW, DEFEND, INDEMNIFY AND HOLD DESIGN PATH STUDIO AND ITS ARCHITECTS, ENGINEERS OR WULFV MISCONDUCT OF DESIGN PATH STUDIO OR ITS ARCHITECTS.
3. THE DESIGNS REPRESENTED BY THESE PLANS ARE COPYRIGHTED AND ARE SUBJECT TO COPYRIGHT PROTECTION.
4. IF THE RECIPIENT DOES NOT AGREE WITH THE ABOVE CONDITIONS, DO NOT PROCEED WITH CONSTRUCTION OF AN ADU OR OTHER IMPROVEMENT UNDER THESE PLANS AT ALL.

project
County of Inyo
Pre-Approved
ADU/SFD Program

revisions
description
Structural
Notes &
Specifications

date 2024
project no. INYO COUNTY ADU/SFDs
drawn by DESIGN PATH STUDIO
sheet no. S1

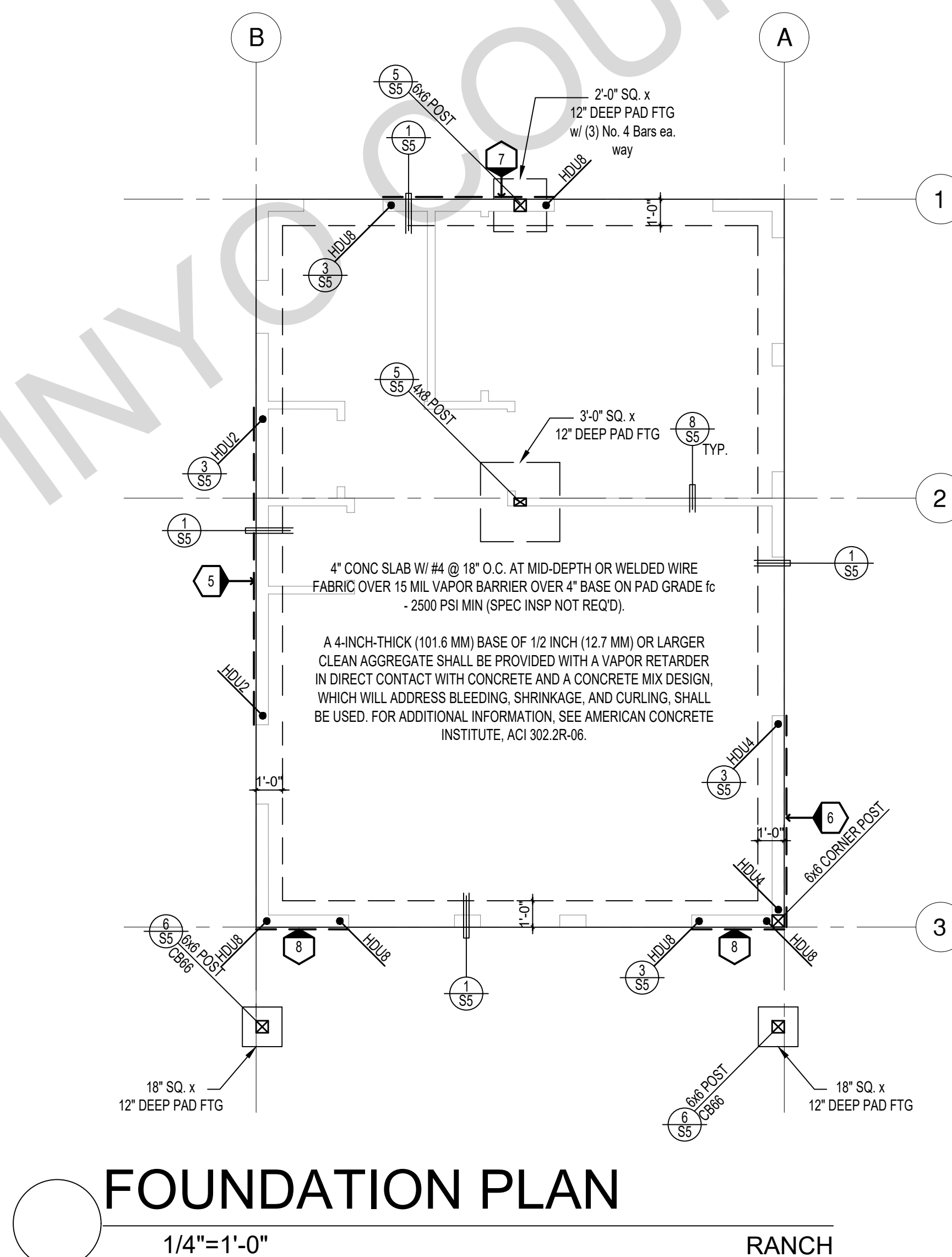
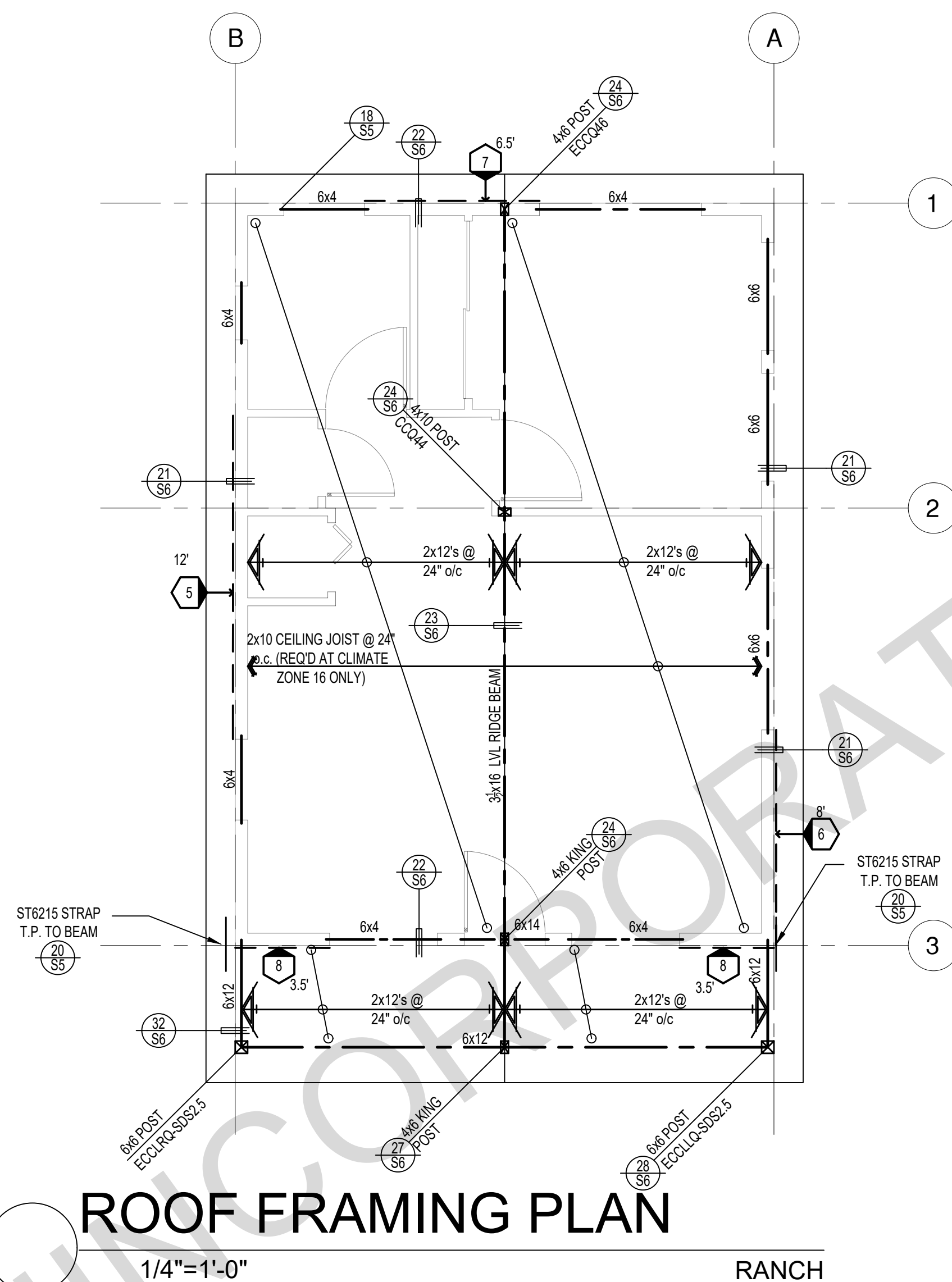
6. NAILING SCHEDULE, MINIMUMS (CBC CHAPTER 23, TABLE 2304.10.2)			
BLKNG AT CEILING JOISTS, RAFTERS, OR TRUSSES TO TOP PLATE OR OTHER FRAMING, T.N.	4-8d Box, 3-8d Com, 3-10d box, 3-3" x 0.131" nails, 3-3" 14 gage staples		
BLKNG AT CEILING RAFTERS OR TRUSSES NOT AT WALL TOP PLATE TO RAFTER OR TRUSS, T.N.	2-8d Com, 2-3" x 0.131" nails, 2-3" 14 gage staples		
BLKNG AT CEILING RAFTERS OR TRUSSES NOT AT WALL TOP PLATE TO RAFTER OR TRUSS, E.N.	2-16d Com, 3-3" x 0.131" nails, 3-3" 14 gage staples		
FLAT BLKNG TO TRUSS AND WEB, F.N.	16d Com, 3"x.131" nails, 3"x14 gage staples @ 6" o.c		
CEILING JOISTS TO TOP PLATE, T.N.	4-8d box, 3-8d Com, 3-10d box, 3-3"x.131 nails, 3-3" 14 gage staples		
CEILING JOISTS NOT ATTACHED TO PARALLEL RAFTER, LAPS OVER PARTITIONS, F.N. PER 2308.7.3.1	3-16d Com, 4-10d box, 4-3" x 0.131" nails, 4-3" 14 gage staples		
CEILING JOISTS ATTACHED TO PARALLEL RAFTER (HEEL JOINT), F.N. PER 2308.7.3.1	3-16d Com, 4-10d box, 4-3" x 0.131" nails, 4-3" 14 gage staples		
COLLAR TIE TO RAFTER, F.N.	3-10d Com, 4-10d box, 4-3"x0.131" nails, 4-3" 14 gage staples		
RAFTER/TRUSS TO TOP PLATE, T.N. PER TABLE 2308.7.3.5	3-10d Com, 3-16d or 4-10d box, 4-3" x 0.131" nails, 4-3" 14 gage staples		
RAFTERS TO RIDGE VALLEY OR HIP; OR FATER TO 2" RIDGE BEAM			
TOENAIL ENDNAIL	4-16d box, 3-10d Com, 3-16d or 4-10d box, 4-3" x 0.131" nails, 4-3" 14 gage staples		
STUD TO STUD (NOT AT BRACED WALL PANELS)	16d Com @ 24" o.c. FN OR 2-10d box, 3" x 0.131" nails, 3-3" 14 gage staples @ 16" o.c. FN		
STUD TO STUD AT INTERSECTING WALL CORNERS (BRACED WALL)	16d Com @ 16" o.c. FN OR 16d Box, 3" x 0.131" nails, 3" 14 gage staples @ 12" o.c. FN		
BUILT-UP HEADER (2" TO 2"), FN EA. EDGE	16d Com @ 16" o.c. FN OR 16d Box @ 12" o.c.		
CONT. HEADER TO STUD, T.N.	4-8d Com, 4-10d Box, 5-8d box		
TOP PLATE TO TOP PLATE	16d Com @ 16" o.c. FN OR 10d Box, 3" x 0.131" nails, 3" 14 gage staples @ 12 o.c. FN		
TOP PLATE TO TOP PLATE, AT END JOINTS (EACH SIDE OF END JOINT), FACENAIL			
24" MIN LAP SPLICE EA. SIDE	8-16d Com, 12-16d Box, 12-10d Box, 12-3" x 0.131" nails, 12-3" 14 gage staples		
BOTTOM PLATE TO JOIST, RIM, OR BLKG, FACENAIL			
UNBRACED WALL: 16" o.c. FN	16d Com		
UNBRACED WALL: 12" o.c. FN	16d Box, 3" x 0.131" nails, 3" 14 gage staples		
BRACED WALL: 16" o.c. FN	2-16d Com, 3-16d Box, 4-3"x.131" nails, 4-3" 14 gage staples		
STUD TO TOP OR BOTTOM PLATE			
TOENAIL ENDNAIL	4-8d Box, 4x10d Box, 4-8d Com, 3-16d Box, 4-3"x0.131" nails, 4-3" 14 gage staples		
TOP PLATES, LAPS AT CORNERS AND INTERSECTION, F.N.	3-16d Box, 2-16d Com, 3-10d Box, 3-3"x0.131" nails, 3-3" 14 gage staples		
1" BRACE TO EACH STUD AND PLATE, F.N.	2-16d Com, 3-10d box, 3-3" x 0.131" nails, 3-3" 14 gage staples		
1"x6" SHEATHING TO EACH BEARING, F.N.	3-8d Box, 2-1.75" 16 Gage staples, 2-8d Com, 2-10d Box		
1"x8" SHEATHING AND WIDER TO EACH BEARING, F.N.	4-8d box, 4-1.75" 16 Gage staples, 3-8d Com, 3-10d Box		
JOIST TO SILL, TOP PLATE, OR GIRDER, T.N.	4-8d box, 3-8d Com, 3-10d Box, 3-3" x 0.131" nails, 3-3" 14 gage staples		
RIM, JOIST, BAND JOIST, OR BLOCKING TO TOP PLATE, SILL OR OTHER	8d Box @ 4" o.c. TN OR 8d Com, 10d Box, 3" x 0.131" nails, 3" 14 gage staples @ 6" o.c. TN		
1"x6" SUBFLOOR OR LESS TO EACH JOIST, F.N.	2-1.75" Gage Staples, 2-8d Com, 3-10d Box		
2" SUBFLOOR TO JOIST OR GIRDER, F.N. OR BLIND	3-16d Box, 2-16d Com		
2" PLANKS (PLANK & BEAM - FLOOR & ROOF), FACENAIL & EACH BEARING	3-16d Box, 2-16d Com		
BUILT-UP GIRDERS AND BEAMS, 2" LUMBER LAYERS			
32" o.c. FN Top & BTM STAGGERED ON OPPOSITE SIDES	20d Com		
24" o.c. FN Top & BTM	10d Box, 3"x0.131" nails, 3" 14 gage staples		
ENDS & SPLICES, FN	2-20d Com, 3-10d Box, 3-3"x0.131" nails, 3-3" 14 gage staples		
LEDGER SUPPORTING JOISTS/RAFTERS	4-16d Box, 3-16d Com, 4-10d Box, 4-3"x0.131, 4-3" 14ga. STAPLES		
JOIST TO BAND OR RIM JOIST, END NAIL	3-16d Com, 4-10d Box, 4-3"x0.131, 4-3" 14ga. STAPLES		
BRIDGING OR BLOCKING TO JOIST, RAFTER OR TRUSS EACH END, T.N.	2-8d Com, 2-10d box, 2-3" x 0.131" nails, 2-3" 14 gage staples		
WOOD STRUCT. PANELS, SUBFLOOR, ROOF AND INTERIOR WALL SHING TO FRMG AND PARTICLEBOARD WALL SHEATHING TO FRAMING			
EDGES (IN)	INTERMEDIATE SUPPORTS (IN)		
6	12		
6 ^a	6 ^b		
4	8		
3 ^f	3 ^f		
3 ^g	3 ^g		
6	12		
6 ^e	6 ^e		
4	8		
6	12		
OTHER EXTERIOR WALL SHEATHING (FIBERBOARD)			
1 ^h ₂ ^b	1 ^h ₂ ^b		
3	6		
3	6		
WOOD STRUCTURAL PANELS, COMBINATION SUBFLOOR UNDERLAYMENT TO FRAMING			
6	12		
6	12		
6	12		
PANEL SIDING TO FRAMING			
6	12		
6	12		
INTERIOR PANEILING			
6	12		
6	12		
7. DESIGN CRITERIA			
700. BUILDING CODE: 2022 CALIFORNIA BUILDING CODE AND 2022 CALIFORNIA RESIDENTIAL CODE.			
701. SEISMIC DESIGN CRITERIA:			
SOIL BEARING VALUE	1,500 psf		
SITE CLASS	D (Default)		
SEISMIC DESIGN CATEGORY	D		
RISK CATEGORY	II		
SEISMIC IMPORTANCE FACTOR	1		
Ss	1.750		
S1	0.650		
BASIC SEISMIC FORCE RESISTING SYSTEM: BEARING WALL ANALYSIS METHOD: EQUIVALENT LATERAL FORCE PROCEDURE SEE STRUCTURAL CALCULATIONS FOR SD1, SDS, DESIGN BASE SHEAR, Cs, & R FACTORS.			
702. WIND DESIGN CRITERIA :			
WIND SPEED (V-wll)	125 mph		
RISK CATEGORY	II		
EXPOSURE	C		
703. DESIGN LOADING:			
VAULTED ROOF DL	27 psf	I ROOF LL	20 psf
PORCH DL	35 psf	I PORCH LL	20 psf
FLOOR DL	12 psf	I FLOOR LL	40 psf
DECK DL	18 psf	I DECK LL	60 psf
704. SNOW LOADING: WORST CASE PER INYO COUNTY CODE 14.08.120:			
100 psf			

8. STATEMENT OF SPECIAL INSPECTIONS		
800. RETROFIT ANCHOR BOLTS FOR MISPLACED HOLDOWNS WITH ALL-THREAD ROD AND SIMPSON SET-XP EPOXY REQUIRE SPECIAL INSPECTION. (NO SPECIAL INSPECTION IS REQUIRED FOR RETROFIT ANCHOR BOLTS OR TITEN HD'S WITHOUT A HOLDOWN ATTACHED.)		
801. PER CBC 1705.3 SPECIAL INSPECTION IS NOT REQUIRED FOR NON-STRUCTURAL SLABS ON GRADE NOR FOR CONCRETE FOOTINGS THAT SUPPORT 3 STORIES ABOVE GRADE OR LESS.		
802. PER CBC 1705.11 SPECIAL INSPECTION IS NOT REQUIRED FOR SEISMIC COMPONENTS FOR DETACHED ONE- AND TWO-FAMILY DWELLINGS NOT EXCEEDING 2 STORIES ABOVE GRADE.		
9. SOILS REPORT		
A SOILS REPORT MAY BE REQUIRED BY THE BUILDING OFFICIAL. IN-LIEU OF THE SOILS REPORT A CONSERVATIVE VALUE FOR THE SOIL BEARING ALLOWABLE OF 1500 PSF HAS BEEN USED IN DESIGN OF THE BUILDING.		

3. WOOD FRAMING CONSTRUCTION (CONT.)	
305. TYPICAL SHEAR TRANSFER: ROOF TO WALL: CONNECT ROOF FRAMING TO TOP PLATE W/ SIMPSON H1 @ 24" O/C OR A35 OR RBC @ 24" O/C OR PER SHEAR TRANSFER DETAILS.	
SILL PLATE ANCHORS:	
306. GROUND FLOOR / SLAB ON GRADE WALLS: PROVIDE 2X (MIN.) PTFD SILL PLATES. SEE CONCRETE FOUNDATION CONSTRUCTION NOTES 206, 207 & 208 FOR ANCHOR BOLTS. AT INTERIOR NON-SHEAR CONDITIONS, 0.145 SHOT PIN ANCHORS @ 32" O/C MAY BE USED TO CONNECT PARTITIONS AND BEARING WALLS TO SLAB.	
307. ALL WOOD SILL PLATES AND ALL WOOD MEMBERS DIRECTLY AGAINST CONCRETE OR MASONRY SHALL BE FOUNDATION GRADE REDWOOD SILLS OR PTFD SILLS, TREATED WITH SODIUM BORATE (SBX/DOT) WHEN INSTALLED IN A DRY OR ENCLOSED ENVIRONMENT. (SODIUM BORATE TREATMENT DOES NOT REQUIRE CORROSION RESISTANT CONNECTORS.) IF OTHER TREATMENTS ARE USED, SEE NOTE 309.	
308. FASTENERS IN CONTACT WITH PRESSURE TREATED WOOD: ALL NAILS AND FASTENERS IN CONTACT WITH PRESSURE TREATED LUMBER TREATED WITH ACQ-C, ACQ-D, CA-B, AND CBA-A WITHOUT AMMONIA SHALL BE GALVANIZED PER ASTM A153.	
ALL NAILS AND FASTENERS IN CONTACT WITH PRESSURE TREATED LUMBER TREATED WITH ACQ-C, ACQ-D, CA-B, AND CBA-A WITH AMMONIA SHALL BE TYPE 303, 304, 305, OR 316 STAINLESS STEEL.	
WHERE PRESSURE TREATED LUMBER IS INSTALLED IN AN EXTERIOR WET ENVIRONMENT, ALL NAILS AND FASTENERS IN CONTACT WITH THE PRESSURE TREATED LUMBER SHALL BE TYPE 303, 304, 305, OR 316 STAINLESS STEEL.	
309. RE-TIGHTEN ALL HOLDOWN ANCHORS JUST PRIOR TO COVERING THE WALL FRAMING.	
310. ENGINEERED BEAMS ARE AS FOLLOWS: "PSL" REFERS TO PARALLEL STRAND LUMBER (E=2.0, FB=2900). "LSL" REFERS TO LAMINATED STRAND LUMBER (E=1.55, FB=2325). (E=1.3 & FB=1700 AT LSL CONDITIONS WITH D (DEPTH) < 9") "LVL" REFERS TO LAMINATED VENEER LUMBER (E=2.0, FB=2800). "GLB" REFERS TO 24F-1.8E GLU-LAM WITH STANDARD CAMBER, U.N.O. "LC" ENGINEERED GLU-LAM BEAM MAY BE USED UPON ENGINEER APPROVALS. AN A.I.T.C CERTIFICATE OF COMPLIANCE ISSUED BY A CURRENT ICC APPROVED QUALITY CONTROL AGENCY FOR GLUED LAMINATED WOOD MEMBERS SHALL BE GIVEN TO THE BUILDING INSPECTOR PRIOR TO INSTALLATION.	
311. LUMBER SPECIFICATIONS: ALL FRAMING LUMBER SHALL BE DOUGLAS FIR-LARCH. STUDS, PLATES & BLOCKING: 2X4 FRAMING LUMBER NOT LISTED BELOW STANDARD GRADE OR BETTER 92-1/4", 104-1/4", & 116-1/4" 2X4 STUDS STUD GRADE OR BETTER 2X4 STUDS OVER 10' #2 OR BETTER 2X4 SILLS & PLATES STANDARD OR BETTER 2X6 STUDS, SILLS, & PLATES #2 OR BETTER 4X4 STUDS & POSTS STANDARD OR BETTER OR #1 4X6, 6X6, & LARGER STUDS & POSTS #1 OR BETTER 4X4, 4X6 BEAMS & HEADERS #2 OR BETTER 4X8, 4X10, 4X12, 4X14 BEAMS & HEADERS #1 OR BETTER 6X4 BEAMS & HEADERS #2 OR BETTER 6X6 & LARGER BEAM & HEADERS #1 OR BETTER 2X10 AND LARGER RAFTERS AND JOISTS #1 OR BETTER	
312. HOLES, CUTOUTS, AND NOTCHES IN FRAMING MEMBERS: BY VIRTUE OF CODE COMPLIANCE WITH ELECTRICAL AND PLUMBING CODES, HOLES AND NOTCHES WILL INEVITABLY BE MADE IN FRAMING MEMBERS. THE CODE RECOGNIZES AND APPROVES VARIOUS HOLES AND NOTCHES WITHOUT ENGINEERING JUSTIFICATION IN CBC SECTION 2308.8.2. ENGINEERED (PSL, LSL) RECTANGULAR LUMBER BEAMS BEHAVE LIKE ANY OTHER RECTANGULAR SHAPE WHEN NOTCHED OR BORED. SO THE ENGINEER OR ARCHITECT MAY SPECIFY LIMITS WITHOUT MANUFACTURER APPROVAL. OTHER HOLES AND NOTCHES ARE ALLOWED AS NOTED BELOW.	
PSL AND LVL BEAMS: A HOLE 1 INCH IN DIAMETER CAN BE DRILLED ANYWHERE, AND A 2 INCH DIA. HOLE CAN BE DRILLED IN THE MIDDLE THIRD OF THE SPAN IN THE MIDDLE THIRD OF THE DEPTH OF THE BEAM FOR ANY PSL OR LVL BEAM, EXCEPT CANTILEVERED BEAMS AND BEAMS SUPPORTING CONCENTRATED LOADS. HOLES IN THOSE CONDITIONS REQUIRE APPROVAL IN WRITING FROM THE ENGINEER.	
PSL AND LVL BEAMS: A RAKE CUT (TAPER) AT THE TOP OF THE BEAM AT THE END OF THE SUPPORT IS ALLOWED IF NOTED ON PLANS, TO A MINIMUM OF 4-3/8" AT INSIDE FACE OF SUPPORT. RAKE CUT (TAPER) THAT RESULTS IN A DEPTH AT THE INSIDE FACE OF THE SUPPORT OF 2/3RDS THE BEAM DEPTH IS ALLOWED AT CONDITIONS NOT SPECIFIED. OTHER TAPERED ENDS AND SQUARE NOTCHES IN TOP OR BOTTOM FACE REQUIRE APPROVAL IN WRITING FROM THE ENGINEER OR ARCHITECT.	
STUDS AND PLATES: SEE STRUCTURAL DETAILS 14 & 15 ON SHEET S4 FOR NOTCHING AND BORING.	
313. PROVIDE 2X4 TRIMMER & 2X4 KING STUD EACH END OF EACH 4X DROPPED BEAM OR HEADER. PROVIDE DOUBLE TRIMMERS AT EACH 4X10 OR LARGER. PROVIDE DOUBLE TRIMMERS AT EACH 3-1/2 X 7-1/2 PSL OR LSL OR LARGER.	
314. PROVIDE 2X6 TRIMMER & 2X6 KING STUD EACH END OF EACH 6X DROPPED BEAM OR HEADER. PROVIDE DOUBLE TRIMMERS AT EACH 6X OR LARGER. PROVIDE DOUBLE TRIMMERS AT EACH 5-1/4 X 7-1/2 PSL OR LSL OR LARGER.	
315. PROVIDE DOUBLE KING STUDS AT ALL OPENINGS 8'-1" WIDE AND WIDER OR PER PLAN.	
316. PROVIDE MINIMUM 2-1/4" BEARING @ EACH END OF EACH FLUSH BEAM OR HEADER WHERE BEARING IS ON TOP PLATE. PROVIDE 2X4 STUD WITHIN 3" OF BEARING POINT. PROVIDE (2) 2X STUDS @ 6X OR LSL OR PSL BEAMS.	
317. ROOF RAFTERS SHALL BE 2X RAFTERS AS NOTED ON STRUCTURAL DRAWINGS	
318. EAVES SHEATH BE PER ARCHITECTURAL PLANS W/ APPLIED TAILS PER ARCHITECTURAL PLANS. OVERHANG DETAILS ARE NOT SHOWN ON STRUCTURAL PLANS.	
319. SEE THE ARCHITECTURAL ROOF PLANS FOR ROOF PITCH AND ADDITIONAL INFORMATION.	
320. COMBINE AND GROUP PLUMBING VENTS WHENEVER POSSIBLE TO MINIMIZE ROOF PENETRATIONS.	

3. WOOD FRAMING CONSTRUCTION (CONT.)				
321. WOOD TO WOOD CONNECTORS SHALL BE SIMPSON STRONG TIE OR USP STRUCTURAL CONNECTORS. ALL SPECIFIED CONNECTOR CALL-OUTS ARE SIMPSON CATALOG CALL-OUTS. USP SUBSTITUTIONS SHALL HAVE A CAPACITY EQUAL TO OR GREATER THAN THE SIMPSON CATALOG VALUES. ANY OTHER ICC APPROVED METAL CONNECTOR MAY BE USED UPON APPROVAL BY THE ENGINEER OR ARCHITECT.				
322. ICC APPROVED CONNECTORS SHALL BE USED WHERE CONNECTORS ARE SPECIFIED. UNLESS OTHERWISE NOTED, THE FOLLOWING BEAM AND JOIST HANGERS SHALL BE USED:				
BEAM OR JOIST SIMPSON/USP HANGER				
I-JOIST FLOOR JOISTS IUS, IUT, OR ITT HANGERS				
1.75 X LSL AND LVL HU, HUS, OR WPU				
2.69 X PSL AND LVL HU OR HWU				
3.5 X PSL AND LVL HHUS OR HWU				
5.25 X PSL AND LVL HHUS OR HWU				
7 X PSL AND LVL HHUS OR HWU				
AT BEAM HANGER CALLOUTS, IE HGUS OR HU BEAMS, THE CALLOUT IS ABBREVIATED. THE HANGER WIDTH MAY BE OMITTED TO ALLOW FLEXIBILITY IN ORDERING. EXAMPLE: 2.69 PSL THE CALLOUT MAY READ HGUS12. AN HGUS2.75/12 OR HGUS412 (WITH FILLERS) ARE APPLICABLE. WHERE HANGERS OFFER (MIN) OR (MAX), NAIL TO APPLY (MAX) LOADS.				
323. WHERE SHEARWALL LENGTHS ARE SPECIFIED ON THE PLANS, THE LENGTH SHOWN IS A MINIMUM DIMENSION. THE SHEARWALL MAY BE LENGTHENED FOR CONSTRUCTION PURPOSES, BUT SHALL NOT BE REDUCED UNLESS OTHERWISE NOTED. ALL ENGINEERED WOOD PANEL SHEAR (PLYWOOD OR OSB) SHALL BE BLOCKED.				
324. THE FOLLOWING HOLES IN SHEARWALLS ARE ALLOWED: A) APPROXIMATELY SQUARE HOLES NOTCHED, PUNCHED, OR CUT THAT ARE LESS THAN 25 SQ. INCHES B) APPROXIMATELY SQUARE HOLES CLEAN CUT OR BORED IN SHEARWALLS THAT ARE LESS THAN 64 SQ. INCHES (ONE HOLE PER 4' OF SHEARWALL.) C) APPROXIMATELY SQUARE HOLES, LESS THAN 64 SQ. INCHES (ONE HOLE PER 8' OF SHEARWALL) WITH ALL EDGES BLOCKED & EDGE NAILED. D) HOLES INDIVIDUALLY APPROVED BY THE ENGINEER OR ARCHITECT OF RECORD.				
325. STUDS SHALL BE SPACED @ 16" O/C MAX. UNLESS OTHERWISE SPECIFIED. USE STUD GRADE EXCEPT AT PLATE HEIGHTS HIGHER THAN 10'-0", THEN USE DF#2 OR BETTER				
326. ALL FINISHES, WATERPROOFING, DRAINAGE, AND FIRE-RELATED ELEMENTS ARE BY THE ARCHITECT OF RECORD AND ARE REQUIRED EVEN THOUGH THEY MAY NOT BE SHOWN ON THE STRUCTURAL PLANS AND DETAILS.				
327. REDWOOD OR PRESSURE-TREATED LUMBER IS TO BE USED AT STRUCTURAL MEMBERS FOR BUILDING, BALCONIES, PORCHES OR SIMILAR APPURTENANCES WHEN EXPOSED TO THE WEATHER WITHOUT ADEQUATE PROTECTION OF A ROOF, EAVE, OVERHANG, OR OTHER COVERING TO PREVENT MOISTURE OR WATER ACCUMULATION.				
4. ICC-ES AND NER APPROVALS				
400. PLYWOOD AND OSB PANELS: APA PLYWOOD & OSB--ESR-2586	FULL REPORTS FOUND AT: HTTP://WWW.ICC-ES.ORG			
401. JOISTS AND RAFTERS AND BEAMS: TRUS-JOIST T/J JOISTS AND PSL, LSL, & LVL--ICC-ES ESR-1387, 1153, BOISE CASCADE BCI JOISTS, VERSA-LAM, & VERSA-STRAND--ICC-ESR-1040, 1336 LOUISIANA PACIFIC JOISTS & BEAMS--ESR-1305, 2403 ROUSEBURG JOISTS & BEAMS--ESR-1210, 1251 GLU-LAM BEAMS-- ESR-1940 PACIFIC WOOD TECH - ESR 2909				
402. WOOD CONNECTORS: SIMPSON CONNECTORS--ICC-ES ESR #S 1161, 1622, 1866, 2105, 2203, 2236, 2320, 2549, 2551, 2552, 2553, 2330, 2554, 2555, 2604, 2605, 2606, 2607, 2608, 2611, 2613, 2614, 2615, 2616, 2677, 2920, 3046 IAPMO ER-112, 130, 143, 192, 262 USP LUMBER CONNECTORS--ICC-ES ESR #S 1178, 1280, 1575, 1702, 1781, 1881, 1970, 2104, 2685, 1831, 1465, 2761, 2787, IAPMO ER-200 QUICK DRIVE WOOD SCREWS--ICC-ES ESR-1472				
403. ADHESIVES & ANCHORS: SIMPSON EPOXY-TIE HIGH STRENGTH EPOXY (SET-XP)--ICC-ES ESR-1772, 2508. SIMPSON WEDGE-ALL (WA) WEDGE ANCHORS--ICC-ES ES-1771 SIMPSON TITEN HD--ICC-ESR-1056, 2713 SIMPSON SHOT PINS ICC-ES ESR-2138 HILTI X-DN, X-ZF, X-CF SHOT PINS--ICC-ES ER-1663, 1752, 2269				
5. NAILING & FASTENING				
500. 16D NAILS AS SHOWN ON THE DETAILS MAY BE COMMON, BOX, OR SINKER NAILS (0.135" MIN. DIA)				
501. AS AN ALTERNATE TO THE COMMON AND BOX NAILS SPECIFIED IN THE STRUCTURAL PLANS, THE FOLLOWING "CUTLER" GUN NAILS (OR EQUAL) ARE ACCEPTABLE ALTERNATIVES.				
502. ALTERNATE NAILING FOR ROOF SHEATHING: 8D 2 1/2" X 0.135 WIRE BARBED NAILS BY CUTLER OR EQUAL.				
503. ALTERNATE NAILING FOR FLOOR SHEATHING: #8 X 2" SELF SETTING WOOD SCREWS, OR 8D 2 1/2" X 0.135 OR 0.148 SCREW SHANK FLOOR NAILS BY CUTLER OR EQUAL				
504. SHEAR PANELS WHERE 8D COMMON NAILS ARE SPECIFIED: 10D 2 1/2" X 0.148" WIRE BARBED NAILS BY CUTLER OR EQUAL				
NAIL SIZES				
SIZE OF NAIL	STANDARD LENGTH	WIRE GAUGE	SIZE (INCHES)	PENETRATION REQUIRED
BOX NAILS				
6D	2"	12	0.099	1"
8D	2 "	11	0.113	1"
10D	3"	10	0.128	1 "
12D	3"	10	0.128	1 "
16D	3 "	10	0.135	1 "
16D SINKER	3"	9	0.148	1 "
COMMON NAILS				
6D	2"	11	0.113	1"
8D	2 1/2 "	10	0.131	1 "
10D	3"	9	0.148	1 1/2 "
12D	3"	9	0.148	1 1/2 "
16D	3 "	8	0.162	1 1/2 "

2. CONCRETE FOUNDATION CONSTRUCTION		
200. THE FIELD INSPECTOR SHALL VERIFY FOUNDATION REQUIREMENTS DURING FOUNDATION INSPECTION.		
201. CONCRETE STRENGTH SHALL BE NO LESS THAN 2,500 PSI @ 28 DAYS, OR HIGHER STRENGTH IF NOTED ON THE PLANS.		
202. SLAB REINFORCEMENT & FOOTINGS SHALL BE PER STRUCTURAL DETAILS ON SHEET S4, CENTERED IN SLAB.		
203. REINFORCING BARS TO BE GRADE 40 FOR #3 BARS, GRADE 60 FOR #4 BARS & LARGER		
204. PROVIDE WEAKENED PLANE JOINTS FOR CRACK CONTROL (SAWCUT OR TOOLED JOINT) AT 12'-0" O/C MAX.		
205. SILL ANCHORAGE AT ALL SHEARWALL LOCATIONS SHALL BE PER THE SHEARWALL SCHEDULE. ALL SHEARWALL ANCHOR BOLTS SHALL RECEIVE A 3" SQUARE X 0.229" THICK WASHER. THE WASHER MAY BE DIAGONALLY SLOTTED (WIDTH >= BOLT DIAMETER + 3/16") LENGTH <= 1 1/2") PROVIDED THAT A STANDARD CUT WASHER IS USED ON TOP OF THE SQUARE WASHER. SHEARWALL ANCHORS SHALL BE PLACED A MIN. OF 1 1/2" FROM THE EDGE OF CONCRETE.		
206. EMBEDDED SILL ANCHOR BOLTS AT TYPICAL NON-SHEARWALL CONDITIONS SHALL BE 5/8" DIA. MIN. ANCHOR BOLTS WITH A STANDARD CUT WASHER. SPACING SHALL NOT EXCEED 48 INCHES O/C. LOCATE AN ANCHOR BOLT NOT MORE THAN 9 INCHES, OR LESS THAN 4" FROM ENDS AND SPLICES. EACH SILL SHALL HAVE (2) SILL BOLTS MIN.		
207. ANCHOR BOLTS SHALL BE EMBEDDED A MIN. OF 7 INCHES INTO CONCRETE. IN A TWO-POUR SYSTEM, ANCHOR BOLTS TO BE EMBEDDED 5 INCHES MIN. INTO FIRST POUR.		
208. SEE WOOD FRAMING CONSTRUCTION NOTES FOR ALTERNATE SILL ANCHORAGE.		
209. ALL HOLDOWNS SHALL BE PLACED A MINIMUM DIM AS SHOWN IN DETAIL 384/S4 FROM EXTERIOR CORNER OF SLAB.		
210. VERIFY ALL DIMENSIONS WITH ARCHITECTURAL DRAWINGS. SUBCONTRACTOR TO VERIFY ALL DIMENSIONS PRIOR TO CONSTRUCTION. IMMEDIATELY NOTIFY HOMEOWNER AND COUNTY OF INYO OF ANY DISCREPANCY, TYPICAL.		
211. PROVIDE A UFER GROUND FOR ELECTRICAL. SYSTEM PER ARTICLE 250.52 N.E.C.		
212. ALL SURROUNDING FLAT WORK SHALL BE VERIFIED WITH HOMEOWNER FOR LOCATION AND AMOUNT TO BE POURED.		
213. RETROFIT MISPLACED HOLDOWNS AS NOTED BELOW. AT EPOXY ANCHORS USE SIMPSON SET-XP EPOXY PER MANUFACTURERS INSTALLATION REQUIREMENTS AS FOLLOWS:		
MISPLACED HOLDOWN	RETROFIT BOLT	REPLACEMENT HARDWARE
LSTD8, HTT4	5/8" ALL-THREAD, EMBED 9"	HTT4
STDH10, STDH14, HTT5	5/8" ALL-THREAD, EMBED 9"	HTT5
LT20B	5/8" ALL-THREAD, EMBED 7"	LT20B
LT20B	5/8" ALL-THREAD, EMBED 7"	LT20B
HDU8	ATTACH TO EXISTING A.B.	HDU8
	5/8" ALL-THREAD, EMBED 15"	
214. RETROFIT 5/8" & 3/4" EMBEDDED ANCHOR BOLTS AS NOTED BELOW. AT EPOXY ANCHORS USE SIMPSON SET-XP EPOXY PER SIMPSON'S INSTALLATION REQUIREMENTS.		
LOCATION	TYPE	REPLACEMENT
SLAB EDGE, 1 3/4" DIST.	SHEARWALL	5/8" ALL-THREAD, EPOXY, EMBED 3" OR 3/8" TITEN HD, EMBED 3" MIN.
INTERIOR > 6" EDGE DIST.	SHEARWALL OR NON-SHEAR	5/8" TITEN HD, EMBED 3" MIN.
ANY OTHER	NON-SHEAR	0.145 DIA. SHOT PINS SPACED 4 INCHES APART ON SILL. (2) FOR EACH MISSING ANCHOR BOLT. MAX. OF (6) SHOT PINS EVERY 6 FT.
215. WHEN REQUESTING A BUILDING DEPARTMENT FOUNDATION INSPECTION, HAVE CONTRACTOR DOCUMENTATION IN WRITING FOR THE FOLLOWING: A) THE PAD WAS PREPARED IN ACCORDANCE WITH THE SITE REQUIREMENTS AND COUNTY OF INYO APPROVAL. B) THE UTILITY TRENCHES HAVE BEEN PROPERLY BACKFILLED & COMPACTED. C) THE FOUNDATION EXCAVATIONS, EXPANSIVE CHARACTERISTICS AND BEARING CAPACITY COMPLIES WITH THE COUNTY OF INYO RECOMMENDATIONS.		
3. WOOD FRAMING CONSTRUCTION		
300. ROOFING MATERIALS SHALL BE PER ARCHITECTURAL DRAWINGS.		
301. ROOF AND FLOOR SHEATHING SHALL BE 3/8" OR 5/8" C-D GRADE, INTERIOR TYPE PLYWOOD WITH EXTERIOR GLUE, OR OSB PANELS. IDENTIFICATION INDEX (240) W/ 8D COMMON NAILS @ 6" O/C @ ALL PERIMETER EDGES AND ALL INTERIOR SUPPORTED EDGES AND @ 12" O/C @ ALL INTERMEDIATE SUPPORTS. SEE DETAILS FOR SHEAR AND DRAG NAILING.		
302. TYPICAL WALL SHEATHING: INTERIOR SURFACES: WHERE DRYWALL IS SPECIFIED, PROVIDE MIN. 5/8" GYPSUM WALLBOARD W/ 5D COOLER NAILS OR EQUAL @ 7" O/C TO ALL STUDS AND TO TOP & BOTTOM PLATES (UNBLOCKED) AT INTERIOR SIDE OF EXTERIOR WALLS AND AT BOTH SIDES OF ALL INTERIOR WALLS. EXTERIOR SURFACES: SEE PLANS. WHERE "STUCCO" IS SPECIFIED PROVIDE 1/2" EXTERIOR CEMENT PLASTER OVER WIRE LATH OVER TYPE 15 BUILDING PAPER. LATH ATTACHED TO ALL STUDS AND TOP AND BOTTOM PLATES (OR BLOCKING AS OCCURS) W/ 16 GAGE X 1 1/2" STAPLES @ 6" O/C OR NO. 11 GAGE X 1-1/2" FURRING NAILS WHERE		

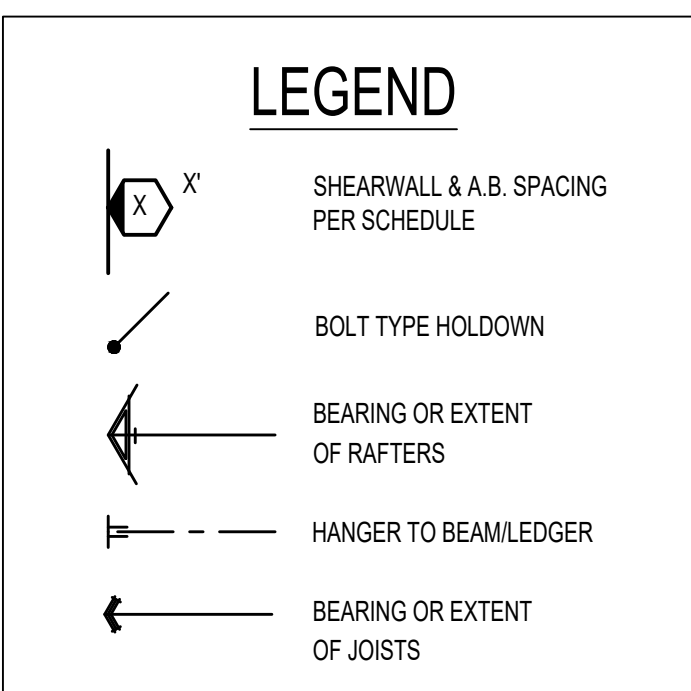


SHEAR WALL SCHEDULE (ASD VALUES)

	4	5	6	7	8	9
SHEARWALL DESCRIPTION (See footnotes 1 & 4)	3/8" ply, C-D or C-C sheathing, (1) side w/ 8d @ 6" o/c edge, 12" o/c field, blocked (See footnote 3)	3/8" ply, C-D or C-C sheathing, (1) side w/ 8d @ 4" o/c edge, 12" o/c field, blocked (See footnote 3)	3/8" ply, C-D or C-C sheathing, (1) side w/ 8d @ 3" o/c edge, 12" o/c field 3x abutting panel studs blocked (See footnote 3 & 4 & 6)	3/8" rated STRUCT 1 panel, (1) side w/ 8d @ 3" o/c edge, 12" o/c field 3x abutting panel studs blocked (See footnote 3 & 4)	3/8" rated STRUCT 1 panel, (1) side w/ 10d @ 3" o/c edge, 12" o/c field 3x abutting panel studs blocked (See footnote 3, 4, & 5)	3/8" rated STRUCT 1 panel, (1) side w/ 10d @ 2" o/c edge, 12" o/c field 3x abutting panel studs blocked (See footnote 3, 4, & 5)
SHEAR VALUE (PLF)	260*	375*	490*	550*	665*	870*
ANCHOR BOLT SPACING	3/4" @ 48" or 1/2" @ 32"	3/4" @ 32" or 1/2" @ 24"	3/4" @ 24" or 1/2" @ 16"	3/4" @ 24" or 1/2" @ 16"	3/4" @ 16" or 1/2" @ 12"	3/4" @ 12" or 1/2" @ 8"
16d (0.148") SILL NAILING	6"	4"	3 1/2"	3"	3"	3"
SPACING OF A307 SILL PLATE TO TOP PLATE	32" O.C.	16" O.C.	12" O.C.	12" O.C.	8" O.C.	8" O.C.

SHEAR WALL FOOTNOTES

- AT PLYWOOD OR OSB PS-1 OR PS-2 RATED PANELS USE COMMON NAILS OR GALVANIZED BOX NAILS (2) LAYERS OF PAPER EXTERIOR PLYWOOD REQUIRED. SHEARWALL SHALL BE APPLIED OVER STUDS @ 16" O/C. GALVANIZED NAILS SHALL NOT BE HOT-DIPPED OR TUMBLED.
- SILL PLATES & WASHERS SHALL COMPLY WITH THE CONCRETE FOUNDATION CONSTRUCTION AND WOOD FRAMING CONSTRUCTION NOTES. (SEE NOTES #206, 208, 209, 307, 308, 309, 523, 524)
- IN PLYWOOD SHEARWALLS, THE EDGE OF THE 3" SQUARE WASHERS (SEE NOTE #206) SHALL BE 1/2" OR LESS FROM THE EDGE OF THE SILL PLATE ON THE SIDE OF THE SHEATHING. ALL NAILING SHALL BE 3/8" MIN. FROM THE EDGE OF SHEATHING.
- WHERE ALLOWABLE SHEAR VALUES EXCEED 350 PLF (SHEARWALL TYPES 6, 7, 8, & 9) ALL FRAMING RECEIVING NAILING FROM ABUTTING PANEL EDGES SHALL NOT BE LESS THAN A SINGLE 3" NOMINAL MEMBER OR (2) 2X MEMBERS NAILED WITH 10D. SPACING EQUAL TO THE E.N. SPACING. PLYWOOD JOINT AND SILL NAILING SHALL BE STAGGERED.
- IN SHEARWALL TYPES 8 & 9, SILL PLATE NAILING SHALL BE STAGGERED. AT SECOND FLOOR CONDITIONS, PROVIDE ADEQUATE RIM OR BLOCKING TO PREVENT SPLITTING.
- WHEN PLYWOOD SHEAR IS SPECIFIED ON BOTH SIDES OF A WALL, PANEL JOINTS SHALL BE OFFSET TO FALL ON DIFFERENT FRAMING MEMBERS, OR FRAMING SHALL BE 3" NOMINAL OR THICKER AND NAILS ON EACH SIDE SHALL BE STAGGERED. SILL PLATES SHALL BE 3" NOMINAL OR THICKER WITH ANCHOR BOLTS STAGGERED TO ACHIEVE THE MAX. EDGE DISTANCE FROM ALTERNATING SILL PLATE EDGES. ANCHOR BOLT SPACING TO BE REDUCED BY 50% OR AS NOTED ON THE SCHEDULE.
- ALLOWABLE SHEAR VALUES FOR PLYWOOD SHEARWALLS MAY BE INCREASED BY 40% UNDER WIND LOADING.



* PLEASE REFER TO NOTES 311 & 401 ON S1 FOR LUMBER GRADE SPECIFICATIONS.

BY USING THESE PERMIT READY CONSTRUCTION DOCUMENTS, THE RECIPIENT ACKNOWLEDGES, ACCEPTS AND VOLUNTARILY AFFIRMS THE FOLLOWING CONDITIONS:
 1. THE USE OF THIS INFORMATION IS RESTRICTED TO THE ORIGINAL PROJECT FOR WHICH IT WAS PREPARED FOR THE PERMIT READY ACCESSORY DWELLING UNIT (ADU) PROGRAM FOR THE COUNTY OF INYO ONLY. THIS IS A LIMITED SET OF STANDARDIZED ADU PLANS AND SPECIFICATIONS APPROVED BY THE COUNTY OF INYO BUILDING DEPARTMENT. BUILDING CODES DO CHANGE OVER TIME AND RECIPIENT SHALL ENSURE FULL COMPLIANCE UNDER ALL CODES THEN IN EFFECT AT THE TIME OF THE SUBJECT PERMIT. THIS DOES NOT ELIMINATE OR REDUCE THE RECIPIENT'S RESPONSIBILITY TO VERIFY ANY AND ALL INFORMATION RELEVANT TO THE RECIPIENT'S WORK AND RESPONSIBILITY ON THIS PROJECT. DESIGN PATH STUDIO SHALL NOT BE RESPONSIBLE FOR TRANSLATION ERRORS. DO NOT USE THESE CONSTRUCTION DOCUMENTS IF THE PERMIT HAS EXPIRED OR IS REVOKED AT ALL.
 2. THE RECIPIENT RECOGNIZES AND ACKNOWLEDGES THAT THE USE OF THIS INFORMATION WILL BE AT THEIR SOLE RISK AND WITHOUT ANY LIABILITY OR LEGAL EXPOSURE TO DESIGN PATH STUDIO. NO WARRANTIES OF ANY NATURE, WHETHER EXPRESS OR IMPLIED, SHALL ATTACH TO THESE DOCUMENTS AND THE INFORMATION CONTAINED THEREON. ANY USE, REUSE, OR ALTERATION OF THESE DOCUMENTS BY THE RECIPIENT OR BY OTHERS WILL BE AT THE RECIPIENT'S RISK AND FULL LEGAL RESPONSIBILITY. FURTHERMORE, THE RECIPIENT WILL, TO THE FULLEST EXTENT PERMITTED BY LAW, DEFEND, INDEMNIFY AND HOLD DESIGN PATH STUDIO AND ITS ARCHITECTS HARMLESS FROM ANY AND ALL CLAIMS, SUITS, LIABILITY, DEMANDS, JUDGMENTS, OR COSTS ARISING OUT OF OR RESULTING THEREFROM ANY USE OF THESE CONSTRUCTION DOCUMENTS FOR OR ON ACCOUNT OF ANY INJURY, DEATH, DAMAGE OR LOSS TO PERSONS OR PROPERTY, DIRECT OR CONSEQUENTIAL DAMAGES IN ANY AMOUNT. THIS INDEMNITY DOES NOT APPLY TO THE SOLE NEGLIGENCE OR WILLFUL MISCONDUCT OF DESIGN PATH STUDIO OR ITS ARCHITECTS.
 3. THE DESIGNS REPRESENTED BY THESE PLANS ARE COPYRIGHTED AND ARE SUBJECT TO COPYRIGHT PROTECTION.
 4. IF THE RECIPIENT DOES NOT AGREE WITH THE ABOVE CONDITIONS, DO NOT PROCEED WITH CONSTRUCTION OF AN ADU OR OTHER IMPROVEMENT UNDER THESE PLANS AT ALL.

- FOUNDATION NOTES**
- ALL ANCHOR BOLTS, HOLDOWN ANCHORS, & REINF. MUST BE SECURELY TIED IN PLACE PRIOR TO FDTN. INSP.
 - ALL EXTERIOR STUDS TO BE 2x6 @ 16" O.C.
 - THE MINIMUM NOMINAL ANCHOR BOLT DIAMETER SHALL BE 5/8" INCH NOTE: THIS WILL REQUIRE A MINIMUM DISTANCE FROM THE ENDS OF SILL PLATES TO BE 4" (AND A MAXIMUM OF 12")
 - PLATE WASHERS (MINIMUM SIZE OF 3" x 3" x 1/4") SHALL BE USED ON EACH ANCHOR BOLT.
 - PROVIDE CONC SLAB JOINTS AT NO MORE THAN 16 FT EA. WAY
 - SEE SHT S5 FOR TYP. CONCRETE & SLAB DETAILS 1-8
 - POSTS W/O SPECIFIED BASE SHALL BE NAILED TO BOLTED SILL PLATES W/ (2) 16d T.N. EA SIDE, TYP.
 - FOOTINGS ADJACENT TO SLOPES GREATER THAN OR EQUAL TO 33.3% SHALL COMPLY WITH SETBACK REQUIREMENTS DEFINED IN CBC 1808.7.

FOUNDATION PLANS TO BE MODIFIED WHEN TRUSSES ARE USED AS MAIN ROOF FRAMING SYSTEM

project
County of Inyo
Pre-Approved
ADU/SFD Program

revisions

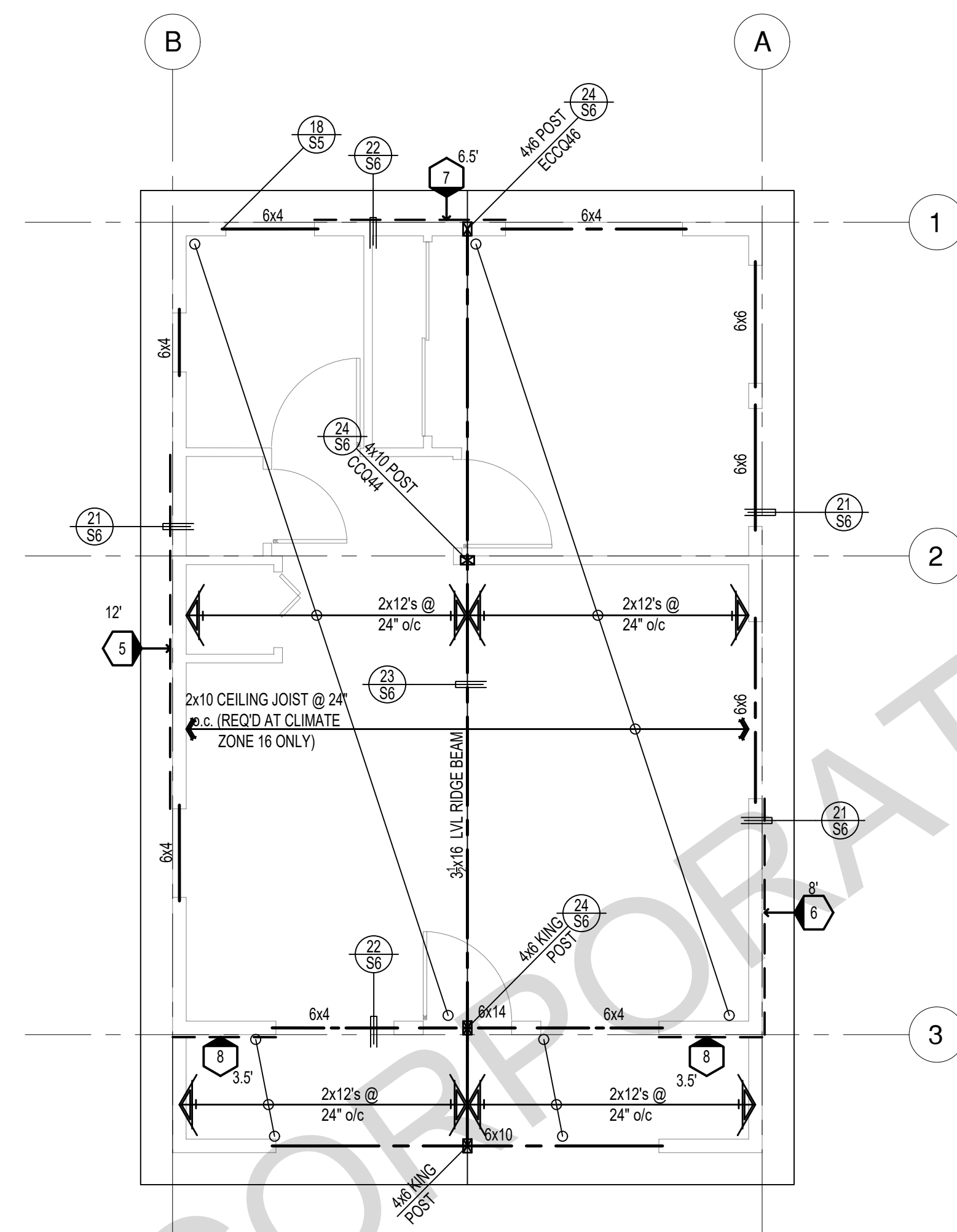
description
**Ranch
Foundation
& Framing
Plan**

date 2024

project no. INYO COUNTY ADU/SFDS

drawn by DESIGN PATH STUDIO

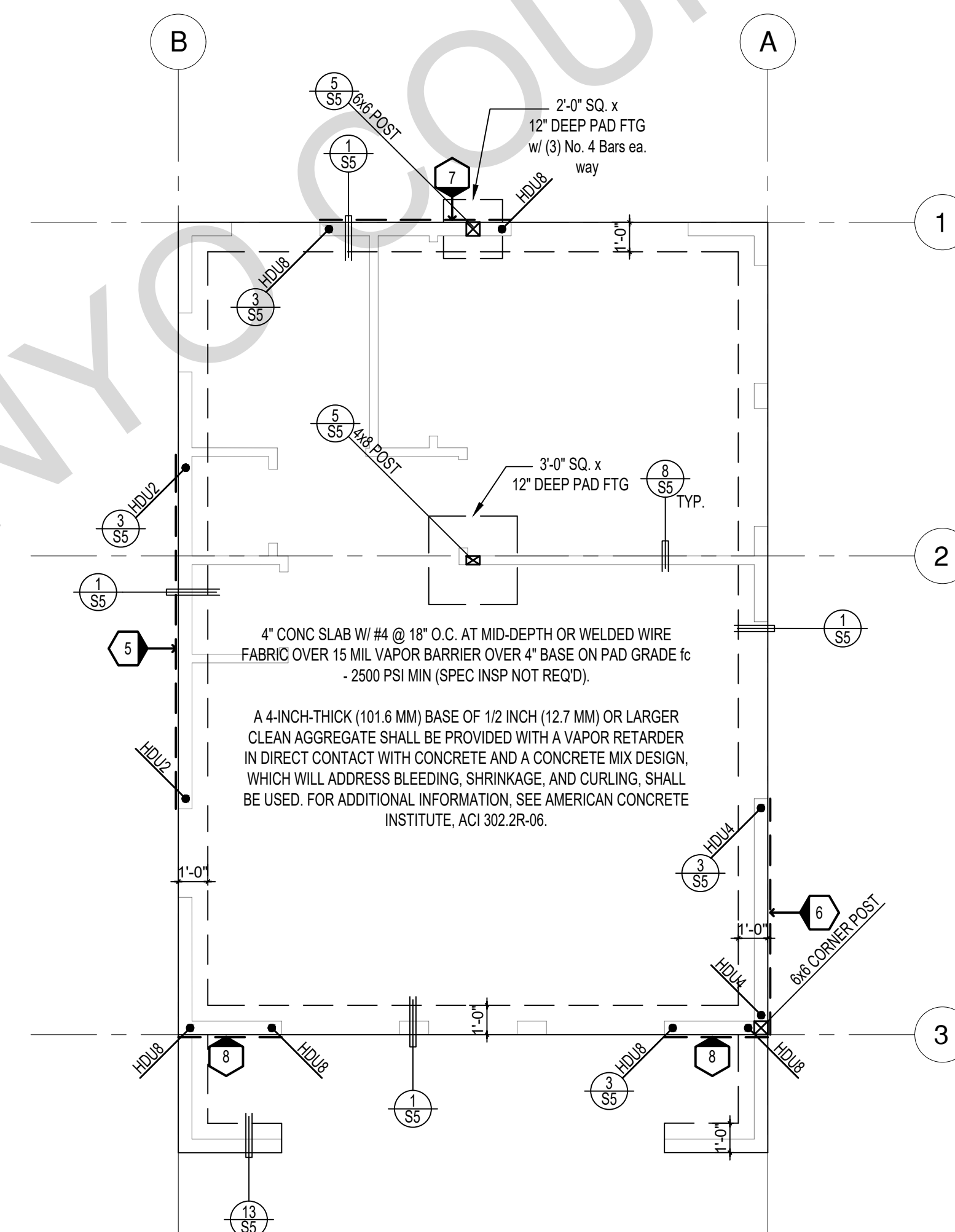
sheet no. **S2**



ROOF FRAMING PLAN

1/4"=1'-0"

SPANISH



FOUNDATION PLAN

1/4"=1'-0"

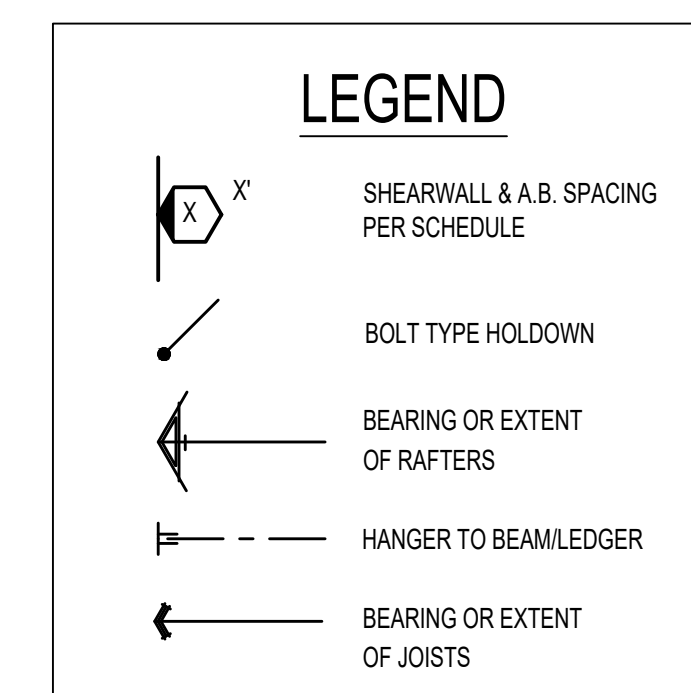
SPANISH

SHEAR WALL SCHEDULE (ASD VALUES)

	4	5	6	7	8	9
SHEAR WALL DESCRIPTION (See footnotes 1 & 4)	3/4" ply, C-D or C-C sheathing, (1) side w/ 8d @ 6" o/c edge, 12" o/c field, blocked (See footnote 3)	3/4" ply, C-D or C-C sheathing, (1) side w/ 8d @ 4" o/c edge, 12" o/c field, blocked (See footnote 3)	3/4" ply, C-D or C-C sheathing, (1) side w/ 8d @ 3" o/c edge, 12" o/c field 3x abutting panel studs blocked (See footnote 3 & 4 & 6)	3/4" rated STRUCT 1 panel, (1) side w/ 8d @ 3" o/c edge, 12" o/c field 3x abutting panel studs blocked (See footnote 3 & 4)	1/2" rated STRUCT 1 panel, (1) side w/ 10d @ 3" o/c edge, 12" o/c field 3x abutting panel studs blocked (See footnote 3, 4, & 5)	1/2" rated STRUCT 1 panel, (1) side w/ 10d @ 2" o/c edge, 12" o/c field 3x abutting panel studs blocked (See footnote 3, 4, & 5)
SHEAR VALUE (PLF)	260*	375*	490*	550*	665*	870*
ANCHOR BOLT SPACING	3/4" @ 48" or 1/2" @ 32"	3/4" @ 32" or 1/2" @ 24"	3/4" @ 24" or 1/2" @ 16"	3/4" @ 24" or 1/2" @ 16"	3/4" @ 16" or 1/2" @ 12"	3/4" @ 12" or 1/2" @ 8"
16d (0.148") SILL NAILING	6"	4"	3 1/2"	3"	1/2" x 4 1/2" SDS screws @ 8"	1/2" x 4 1/2" SDS screws @ 8"
SPACING OF A35LTP4 FRAMING TO TOP PLATE	32" O.C.	16" O.C.	12" O.C.	12" O.C.	8" O.C.	8" O.C.

SHEAR WALL FOOTNOTES

- AT PLYWOOD OR OSB PS-1 OR PS-2 RATED PANELS USE COMMON NAILS OR GALVANIZED BOX NAILS (2) LAYERS OF PAPER EXTERIOR PLYWOOD REQUIRED. SHEAR SHALL BE APPLIED OVER STUDS @ 16" O/C. GALVANIZED NAILS SHALL NOT BE HOT-DIPPED OR TUMBLED.
- SILL PLATES & WASHERS SHALL COMPLY WITH THE CONCRETE FOUNDATION CONSTRUCTION AND WOOD FRAMING CONSTRUCTION NOTES. (SEE NOTES #206, 208, 209, 307, 308, 309, 523, 524)
- IN PLYWOOD SHEARWALLS, THE EDGE OF THE 3" SQUARE WASHERS (SEE NOTE #206) SHALL BE 1/2" OR LESS FROM THE EDGE OF THE SILL PLATE ON THE SIDE OF THE SHEATHING. ALL NAILING SHALL BE 3/8" MIN. FROM THE EDGE OF SHEATHING.
- WHERE ALLOWABLE SHEAR VALUES EXCEED 350 PLF (SHEARWALL TYPES 6, 7, 8, & 9) ALL FRAMING RECEIVING NAILING FROM ABUTTING PANEL EDGES SHALL NOT BE LESS THAN A SINGLE 3" NOMINAL MEMBER OR (2) 2X MEMBERS NAILED WITH 10D. SPACING EQUAL TO THE E.N. SPACING. PLYWOOD JOINT AND SILL NAILING SHALL BE STAGGERED.
- IN SHEARWALL TYPES 8 & 9, SILL PLATE NAILING SHALL BE STAGGERED. AT SECOND FLOOR CONDITIONS, PROVIDE ADEQUATE RIM OR BLOCKING TO PREVENT SPLITTING.
- WHEN PLYWOOD SHEAR IS SPECIFIED ON BOTH SIDES OF A WALL, PANEL JOINTS SHALL BE OFFSET TO FALL ON DIFFERENT FRAMING MEMBERS, OR FRAMING SHALL BE 3" NOMINAL OR THICKER AND NAILS ON EACH SIDE SHALL BE STAGGERED. SILL PLATES SHALL BE 3" NOMINAL OR THICKER WITH ANCHOR BOLTS STAGGERED TO ACHIEVE THE MAX. EDGE DISTANCE FROM ALTERNATING SILL PLATE EDGES. ANCHOR BOLT SPACING TO BE REDUCED BY 50% OR AS NOTED ON THE SCHEDULE.
- ALLOWABLE SHEAR VALUES FOR PLYWOOD SHEARWALLS MAY BE INCREASED BY 40% UNDER WIND LOADING.



* PLEASE REFER TO NOTES 311 & 401 ON S1 FOR LUMBER GRADE SPECIFICATIONS.

BY USING THESE PERMIT READY CONSTRUCTION DOCUMENTS, THE RECIPIENT ACKNOWLEDGES, ACCEPTS AND VOLUNTARILY AFFIRMS THE FOLLOWING CONDITIONS:
 1. THE USE OF THIS INFORMATION IS RESTRICTED TO THE ORIGINAL PROJECT FOR WHICH IT WAS PREPARED FOR THE PERMIT READY ACCESSORY DWELLING UNIT (ADU) PROGRAM FOR THE COUNTY OF INYO ONLY. THIS IS A LIMITED SET OF STANDARDIZED ADU PLANS AND SPECIFICATIONS APPROVED BY THE COUNTY OF INYO BUILDING DEPARTMENT. BUILDING CODES DO CHANGE OVER TIME AND RECIPIENT SHALL ENSURE FULL COMPLIANCE UNDER ALL CODES THEN IN EFFECT AT THE TIME OF THE SUBJECT PERMIT. THIS DOES NOT ELIMINATE OR REDUCE THE RECIPIENT'S RESPONSIBILITY TO VERIFY ANY AND ALL INFORMATION RELEVANT TO THE RECIPIENT'S WORK AND RESPONSIBILITY ON THIS PROJECT. DESIGN PATH STUDIO SHALL NOT BE RESPONSIBLE FOR TRANSLATION ERRORS. DO NOT USE THESE CONSTRUCTION DOCUMENTS IF THE PERMIT HAS EXPIRED OR IS REVOKED AT ALL.
 2. THE RECIPIENT RECOGNIZES AND ACKNOWLEDGES THAT THE USE OF THIS INFORMATION WILL BE AT THEIR SOLE RISK AND WITHOUT ANY LIABILITY OR LEGAL EXPOSURE TO DESIGN PATH STUDIO. NO WARRANTIES OF ANY NATURE, WHETHER EXPRESS OR IMPLIED, SHALL ATTACH TO THESE DOCUMENTS AND THE INFORMATION CONTAINED THEREON. ANY USE, REUSE, OR ALTERATION OF THESE DOCUMENTS BY THE RECIPIENT OR BY OTHERS WILL BE AT THE RECIPIENT'S RISK AND FULL LEGAL RESPONSIBILITY. FURTHERMORE, THE RECIPIENT WILL, TO THE FULLEST EXTENT PERMITTED BY LAW, DEFEND, INDEMNIFY AND HOLD DESIGN PATH STUDIO AND ITS ARCHITECTS HARMLESS FROM ANY AND ALL CLAIMS, SUITS, LIABILITY, DEMANDS, JUDGMENTS, OR COSTS ARISING OUT OF OR RESULTING THEREFROM IN ANY USE OF THESE CONSTRUCTION DOCUMENTS FOR OR ON ACCOUNT OF ANY INJURY, DEATH, DAMAGE OR LOSS TO PERSONS OR PROPERTY, DIRECT OR CONSEQUENTIAL DAMAGES IN ANY AMOUNT. THIS INDEMNITY DOES NOT APPLY TO THE SOLE NEGLIGENCE OR WILLFUL MISCONDUCT OF DESIGN PATH STUDIO OR ITS ARCHITECTS.
 3. THE DESIGNS REPRESENTED BY THESE PLANS ARE COPYRIGHTED AND ARE SUBJECT TO COPYRIGHT PROTECTION.
 4. IF THE RECIPIENT DOES NOT AGREE WITH THE ABOVE CONDITIONS, DO NOT PROCEED WITH CONSTRUCTION OF AN ADU OR OTHER IMPROVEMENT UNDER THESE PLANS AT ALL.

FOUNDATION NOTES

- ALL ANCHOR BOLTS, HOLDOWN ANCHORS, & REINF. MUST BE SECURELY TIED IN PLACE PRIOR TO FDTN. INSP.
- ALL EXTERIOR STUDS TO BE 2x6 @ 16" O.C.
- THE MINIMUM NOMINAL ANCHORBOLT DIAMETER SHALL BE 5/8 INCH NOTE: THIS WILL REQUIRE A MINIMUM DISTANCE FROM THE ENDS OF SILL PLATES TO BE 4" (AND A MAXIMUM OF 12")
- PLATE WASHERS (MINIMUM SIZE OF 3" x 3" x 1/4") SHALL BE USED ON EACH ANCHOR BOLT.
- PROVIDE CONC SLAB JOINTS AT NO MORE THAN 16 FT EA. WAY
- SEE SHT S5 FOR TYP. CONCRETE & SLAB DETAILS 1-8
- POSTS W/O SPECIFIED BASE SHALL BE NAILED TO BOLTED SILL PLATES W/ (2) 16d T.N. EA SIDE, TYP.
- FOOTINGS ADJACENT TO SLOPES GREATER THAN OR EQUAL TO 33.3% SHALL COMPLY WITH SETBACK REQUIREMENTS DEFINED IN CBC 1808.7.

FOUNDATION PLANS TO BE MODIFIED WHEN TRUSSES ARE USED AS MAIN ROOF FRAMING SYSTEM

project

County of Inyo
Pre-Approved
ADU/SFD Program

revisions

- △
- △
- △
- △
- △

description

Spanish
Foundation
& Framing
Plan

date

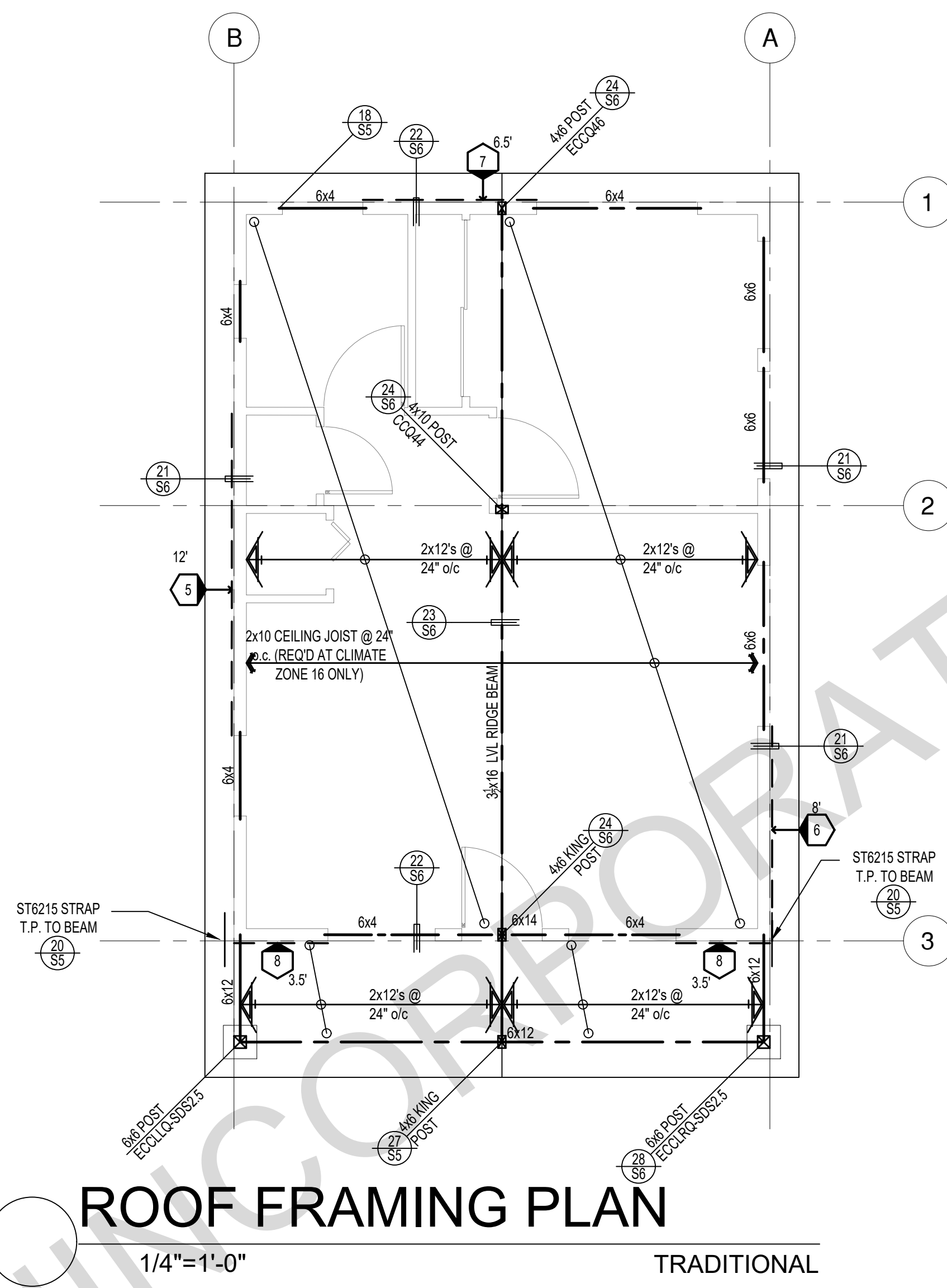
2024

project no. INYO COUNTY ADU/SFDS

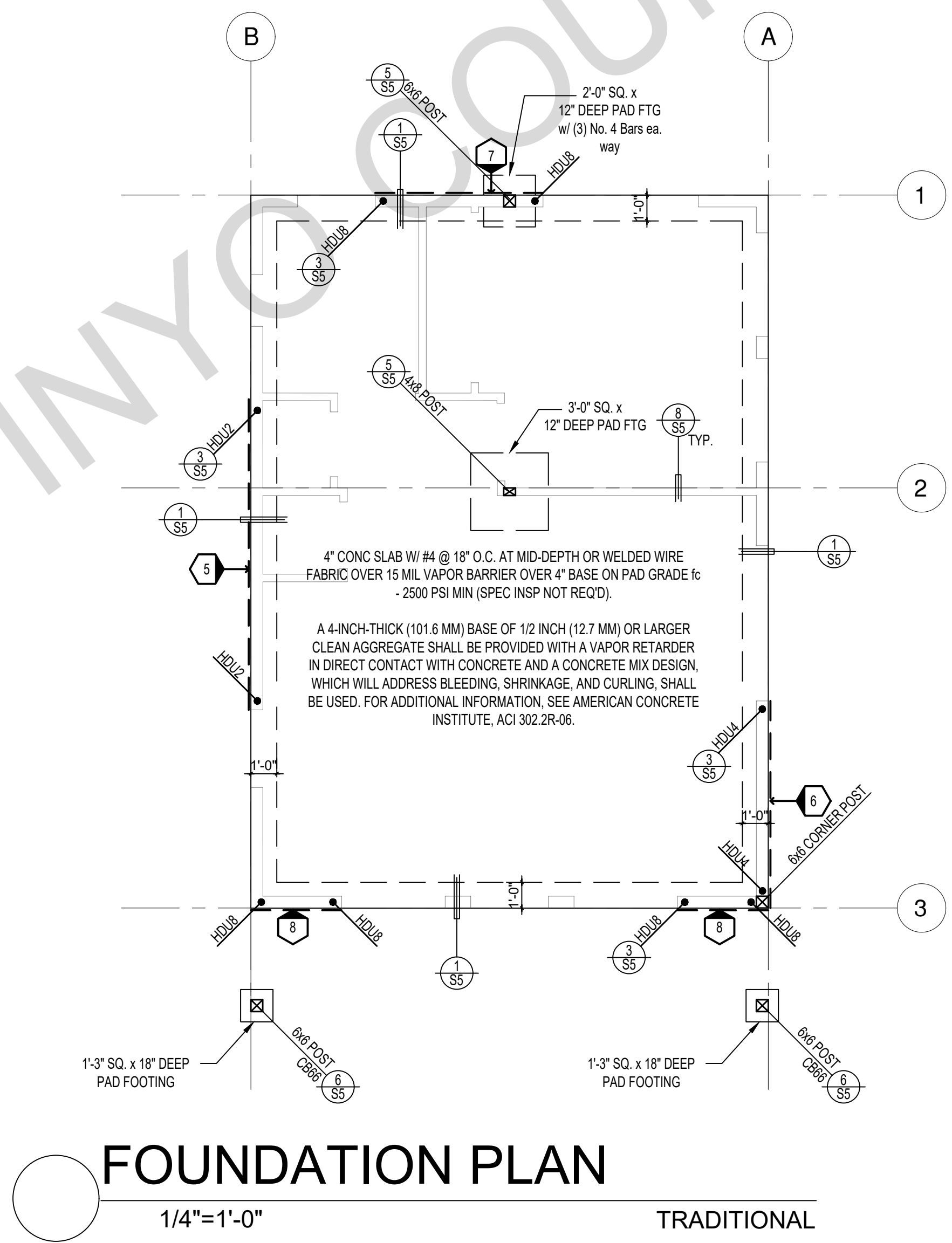
drawn by DESIGN PATH STUDIO

sheet no.

S3



ROOF FRAMING PLAN
1/4"=1'-0" TRADITIONAL



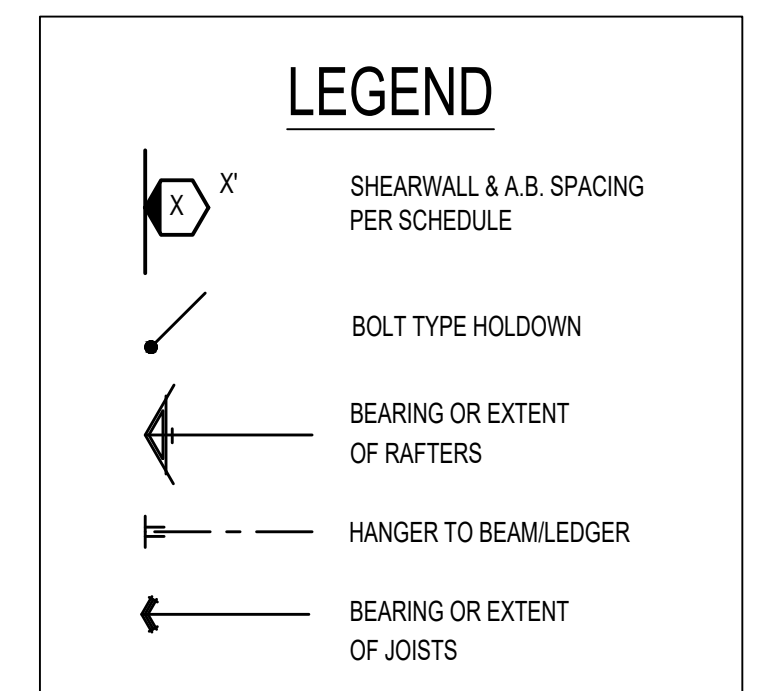
FOUNDATION PLAN
1/4"=1'-0" TRADITIONAL

SHEAR WALL SCHEDULE (ASD VALUES)

	4	5	6	7	8	9
SHEARWALL DESCRIPTION (See footnotes 1 & 4)	1/2" ply, C-D or C-C sheathing, (1) side w/ 8d @ 6" o/c edge, 12" o/c field, blocked (See footnote 3)	3/8" ply, C-D or C-C sheathing, (1) side w/ 8d @ 4" o/c edge, 12" o/c field, blocked (See footnote 3)	3/8" ply, C-D or C-C sheathing, (1) side w/ 8d @ 3" o/c edge, 12" o/c field 3x abutting panel studs blocked (See footnote 3 & 4 & 6)	3/8" rated STRUCT 1 panel, (1) side w/ 8d @ 3" o/c edge, 12" o/c field 3x abutting panel studs blocked (See footnote 3 & 4)	1/2" rated STRUCT 1 panel, (1) side w/ 10d @ 3" o/c edge, 12" o/c field 3x abutting panel studs blocked (See footnote 3, 4, & 5)	1 1/2" rated STRUCT 1 panel, (1) side w/ 10d @ 2" o/c edge, 12" o/c field 3x abutting panel studs blocked (See footnote 3, 4, & 5)
SHEAR VALUE (PLF)	260*	375*	490*	550*	665*	870*
ANCHOR BOLT SPACING	3/4" @ 48" or 1/2" @ 32"	3/8" @ 32" or 1/2" @ 24"	3/8" @ 24" or 1/2" @ 16"	3/8" @ 24" or 1/2" @ 16"	3/8" @ 16" or 1/2" @ 12"	3/8" @ 12" or 1/2" @ 8"
16d (0.148") SILL NAILING	6"	4"	3 1/2"	3"	1/2" x 4 1/2" SDS screws @ 8"	1/2" x 4 1/2" SDS screws @ 8"
SPACING OF A35LTP4 FRAMING TO TOP PLATE	32" O.C.	16" O.C.	12" O.C.	12" O.C.	8" O.C.	8" O.C.

SHEAR WALL FOOTNOTES

- AT PLYWOOD OR OSB PS-1 OR PS-2 RATED PANELS USE COMMON NAILS OR GALVANIZED BOX NAILS (2) LAYERS OF PAPER EXTERIOR PLYWOOD REQUIRED. SHEARWALL SHALL BE APPLIED OVER STUDS @ 16" O/C. GALVANIZED NAILS SHALL NOT BE HOT-DIPPED OR TUMBLED.
- SILL PLATES & WASHERS SHALL COMPLY WITH THE CONCRETE FOUNDATION CONSTRUCTION AND WOOD FRAMING CONSTRUCTION NOTES. (SEE NOTES #206, 208, 209, 307, 308, 309, 523.)
- IN PLYWOOD SHEARWALLS, THE EDGE OF THE 3" SQUARE WASHERS (SEE NOTE #206) SHALL BE 1/2" OR LESS FROM THE EDGE OF THE SILL PLATE ON THE SIDE OF THE SHEATHING. ALL NAILING SHALL BE 3/8" MIN. FROM THE EDGE OF SHEATHING.
- WHERE ALLOWABLE SHEAR VALUES EXCEED 350 PLF (SHEARWALL TYPES 6, 7, 8, & 9) ALL FRAMING RECEIVING NAILING FROM ABUTTING PANEL EDGES SHALL NOT BE LESS THAN A SINGLE 3" NOMINAL MEMBER OR (2) 2X MEMBERS NAILED WITH 10D. SPACING EQUAL TO THE E.N. SPACING. PLYWOOD JOINT AND SILL NAILING SHALL BE STAGGERED.
- IN SHEARWALL TYPES 8 & 9, SILL PLATE NAILING SHALL BE STAGGERED. AT SECOND FLOOR CONDITIONS, PROVIDE ADEQUATE RIM OR BLOCKING TO PREVENT SPLITTING.
- WHEN PLYWOOD SHEAR IS SPECIFIED ON BOTH SIDES OF A WALL, PANEL JOINTS SHALL BE OFFSET TO FALL ON DIFFERENT FRAMING MEMBERS, OR FRAMING SHALL BE 3" NOMINAL OR THICKER AND NAILS ON EACH SIDE SHALL BE STAGGERED. SILL PLATES SHALL BE 3" NOMINAL OR THICKER WITH ANCHOR BOLTS STAGGERED TO ACHIEVE THE MAX. EDGE DISTANCE FROM ALTERNATING SILL PLATE EDGES. ANCHOR BOLT SPACING TO BE REDUCED BY 50% OR AS NOTED ON THE SCHEDULE.
- ALLOWABLE SHEAR VALUES FOR PLYWOOD SHEARWALLS MAY BE INCREASED BY 40% UNDER WIND LOADING.



* PLEASE REFER TO NOTES 311 & 401 ON S1 FOR LUMBER GRADE SPECIFICATIONS.

- FOUNDATION NOTES**
- ALL ANCHOR BOLTS, HOLDOWN ANCHORS, & REINF. MUST BE SECURELY TIED IN PLACE PRIOR TO FDTN. INSP.
 - ALL EXTERIOR STUDS TO BE 2x6 @ 16" O.C.
 - THE MINIMUM NOMINAL ANCHOR BOLT DIAMETER SHALL BE 5/8 INCH NOTE: THIS WILL REQUIRE A MINIMUM DISTANCE FROM THE ENDS OF SILL PLATES TO BE 4" (AND A MAXIMUM OF 12")
 - PLATE WASHERS (MINIMUM SIZE OF 3" x 3" x 1/4") SHALL BE USED ON EACH ANCHOR BOLT.
 - PROVIDE CONC SLAB JOINTS AT NO MORE THAN 16 FT EA. WAY
 - SEE SHT S5 FOR TYP. CONCRETE & SLAB DETAILS 1-8
 - POSTS W/O SPECIFIED BASE SHALL BE NAILED TO BOLTED SILL PLATES W/ (2) 16d T.N. EA SIDE, TYP.
 - FOOTINGS ADJACENT TO SLOPES GREATER THAN OR EQUAL TO 33.3% SHALL COMPLY WITH SETBACK REQUIREMENTS DEFINED IN CBC 1808.7.

FOUNDATION PLANS TO BE MODIFIED WHEN TRUSSES ARE USED AS MAIN ROOF FRAMING SYSTEM

BY USING THESE PERMIT READY CONSTRUCTION DOCUMENTS, THE RECIPIENT ACKNOWLEDGES, ACCEPTS AND VOLUNTARILY AFFIRMS THE FOLLOWING CONDITIONS:
1. THE USE OF THIS INFORMATION IS RESTRICTED TO THE ORIGINAL PROJECT FOR WHICH IT WAS PREPARED FOR THE PERMIT READY ACCESSORY DWELLING UNIT (ADU) PROGRAM FOR THE COUNTY OF INYO ONLY. THIS IS A LIMITED SET OF STANDARDIZED ADU PLANS AND SPECIFICATIONS APPROVED BY THE COUNTY OF INYO BUILDING DEPARTMENT. BUILDING CODES DO CHANGE OVER TIME AND RECIPIENT SHALL ENSURE FULL COMPLIANCE UNDER ALL CODES THEN IN EFFECT AT THE TIME OF THE SUBJECT PERMIT. THIS DOES NOT ELIMINATE OR REDUCE THE RECIPIENT'S RESPONSIBILITY TO VERIFY ANY AND ALL INFORMATION RELEVANT TO THE RECIPIENT'S WORK AND RESPONSIBILITY ON THIS PROJECT. DESIGN PATH STUDIO SHALL NOT BE RESPONSIBLE FOR TRANSLATION ERRORS. DO NOT USE THESE CONSTRUCTION DOCUMENTS IF THE PERMIT HAS EXPIRED OR IS REVOKED AT ALL.
2. THE RECIPIENT RECOGNIZES AND ACKNOWLEDGES THAT THE USE OF THIS INFORMATION WILL BE AT THEIR SOLE RISK AND WITHOUT ANY LIABILITY OR LEGAL EXPOSURE TO DESIGN PATH STUDIO. NO WARRANTIES OF ANY NATURE, WHETHER EXPRESS OR IMPLIED, SHALL ATTACH TO THESE DOCUMENTS AND THE INFORMATION CONTAINED THEREON. ANY USE, REUSE, OR ALTERATION OF THESE DOCUMENTS BY THE RECIPIENT OR BY OTHERS WILL BE AT THE RECIPIENT'S RISK AND FULL LEGAL RESPONSIBILITY. FURTHERMORE, THE RECIPIENT WILL, TO THE FULLEST EXTENT PERMITTED BY LAW, DEFEND, INDEMNIFY AND HOLD DESIGN PATH STUDIO AND ITS ARCHITECTS HARMLESS FROM ANY AND ALL CLAIMS, SUITS, LIABILITY, DEMANDS, JUDGMENTS, OR COSTS ARISING OUT OF OR RESULTING THEREFROM ANY USE OF THESE CONSTRUCTION DOCUMENTS FOR OR ON ACCOUNT OF ANY INJURY, DEATH, DAMAGE OR LOSS TO PERSONS OR PROPERTY, DIRECT OR CONSEQUENTIAL DAMAGES IN ANY AMOUNT. THIS INDEMNITY DOES NOT APPLY TO THE SOLE NEGLIGENCE OR WILLFUL MISCONDUCT OF DESIGN PATH STUDIO OR ITS ARCHITECTS.
3. THE DESIGNS REPRESENTED BY THESE PLANS ARE COPYRIGHTED AND ARE SUBJECT TO COPYRIGHT PROTECTION.
4. IF THE RECIPIENT DOES NOT AGREE WITH THE ABOVE CONDITIONS, DO NOT PROCEED WITH CONSTRUCTION OF AN ADU OR OTHER IMPROVEMENT UNDER THESE PLANS AT ALL.

project
County of Inyo
Pre-Approved
ADU/SFD Program

revisions

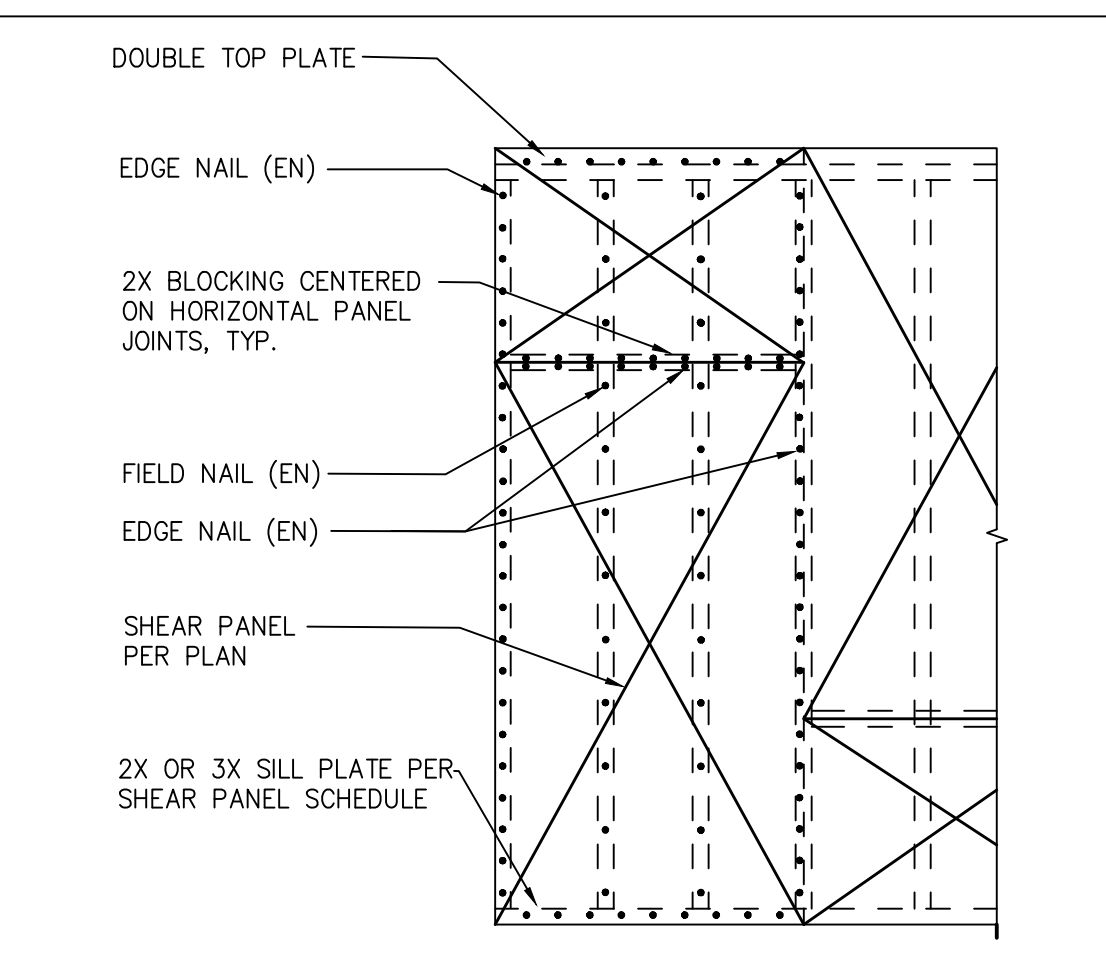
description
Traditional
Foundation
& Framing
Plan

date 2024

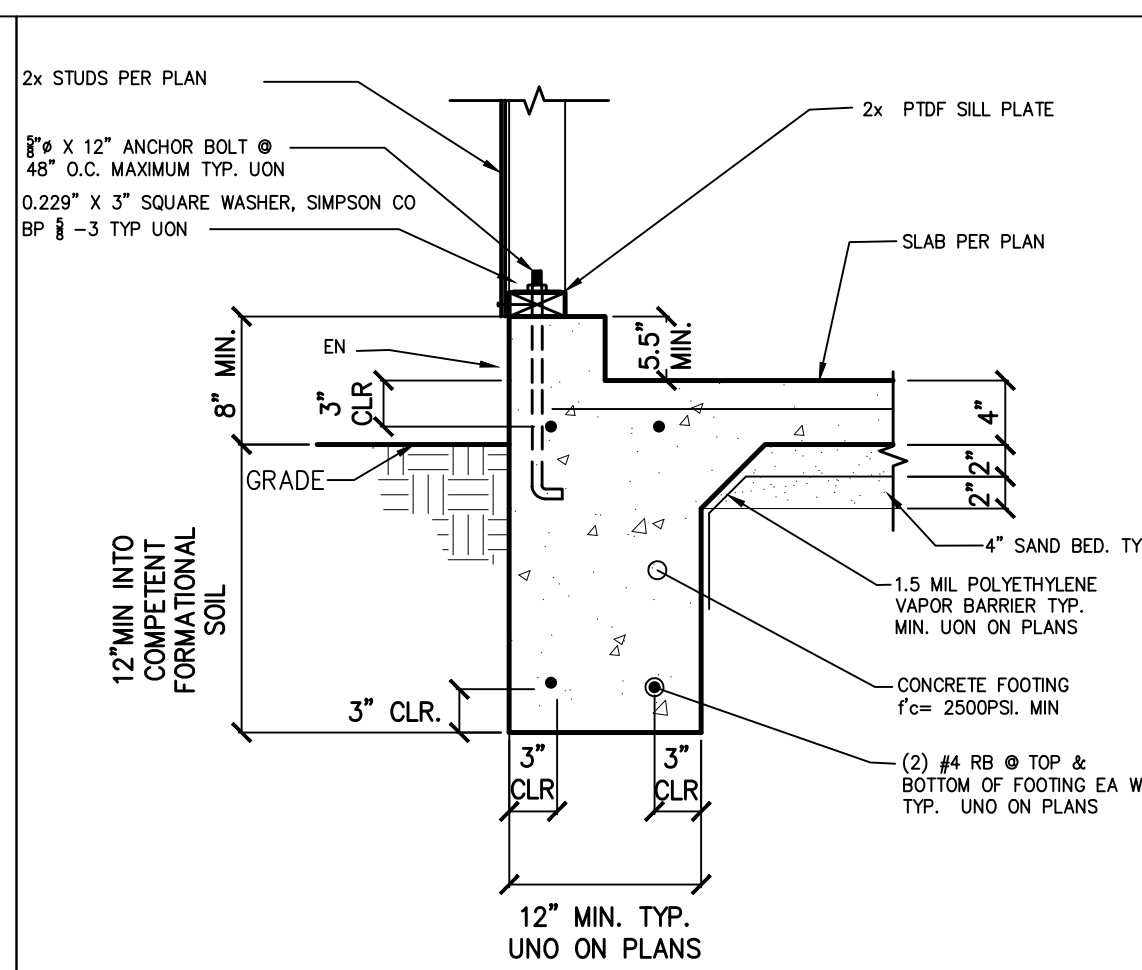
project no. INYO COUNTY ADU/SFDS

drawn by DESIGN PATH STUDIO

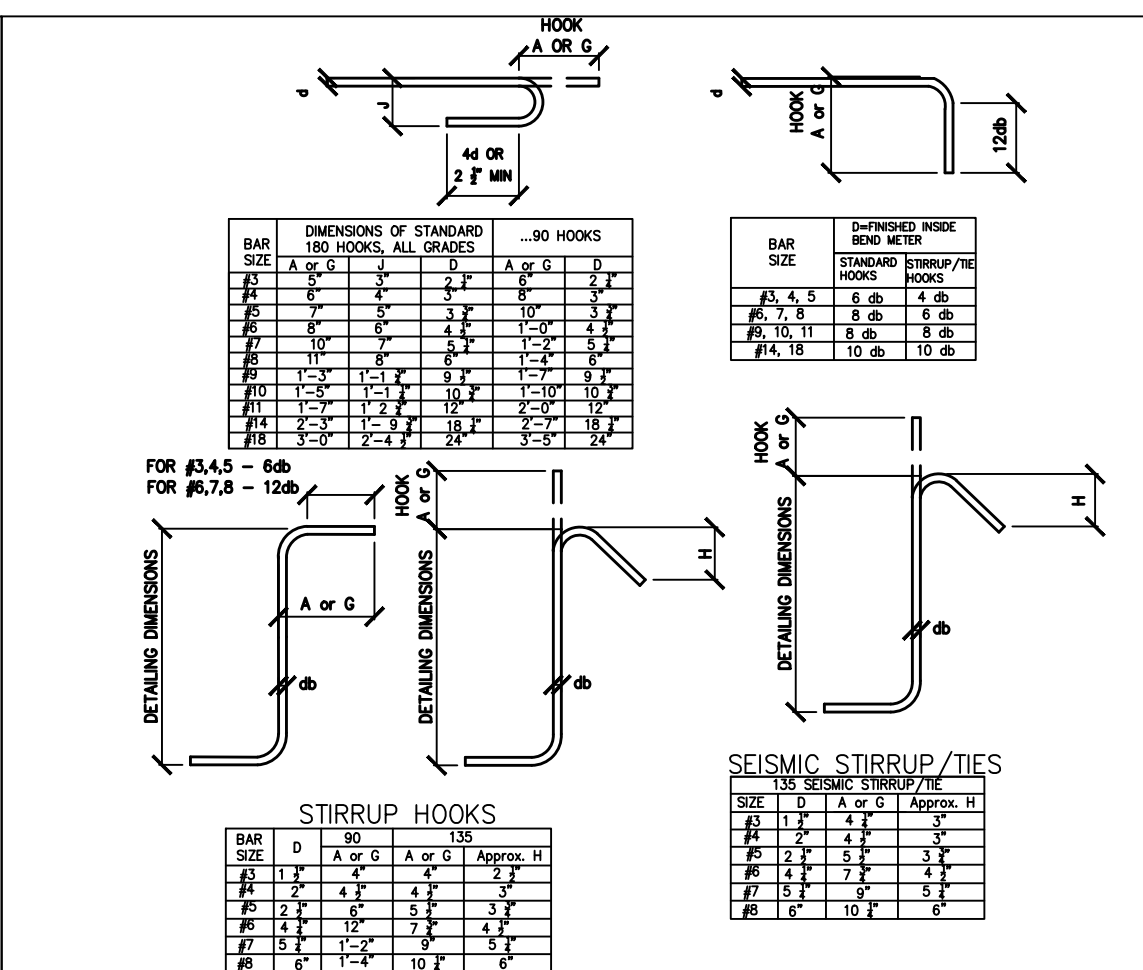
sheet no. S4



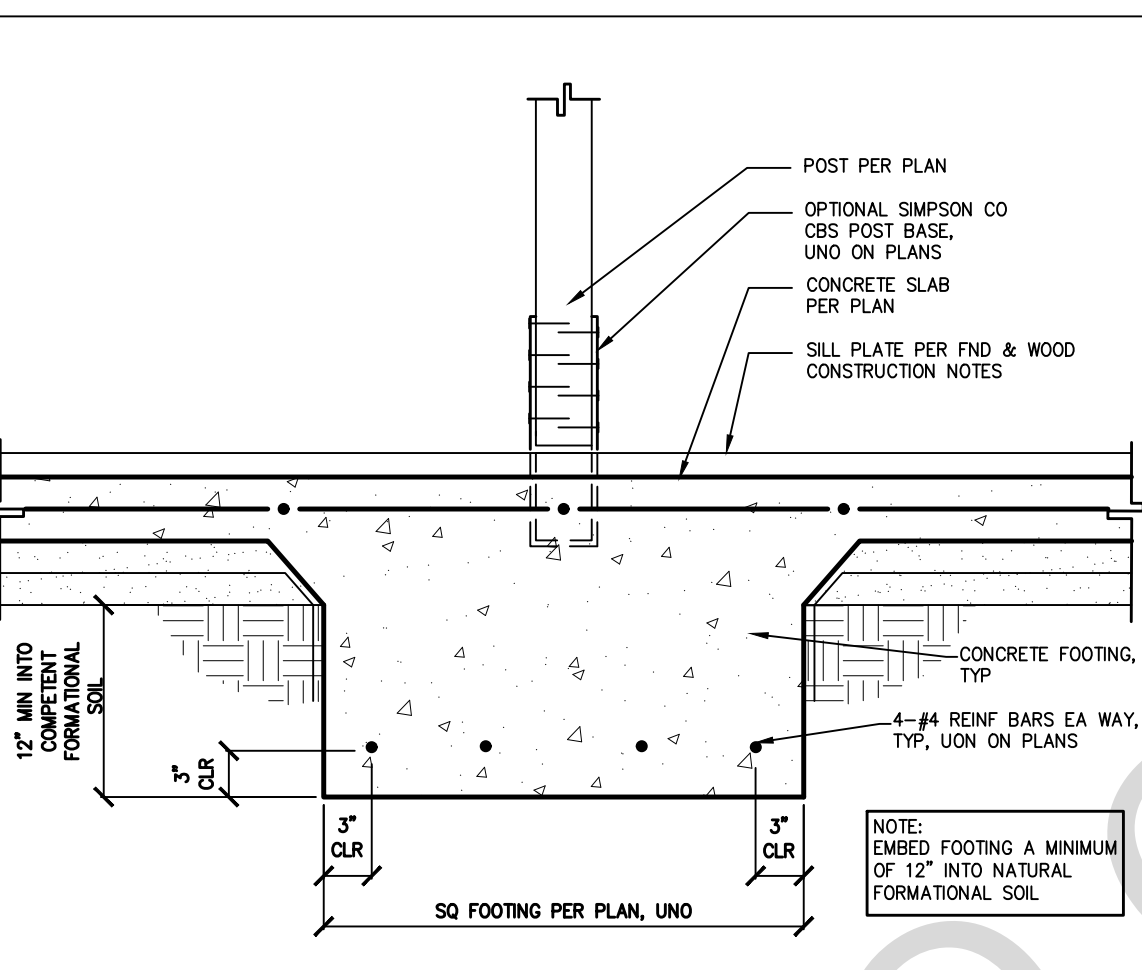
17 TYPICAL SHEAR PANEL SCALE: NTS



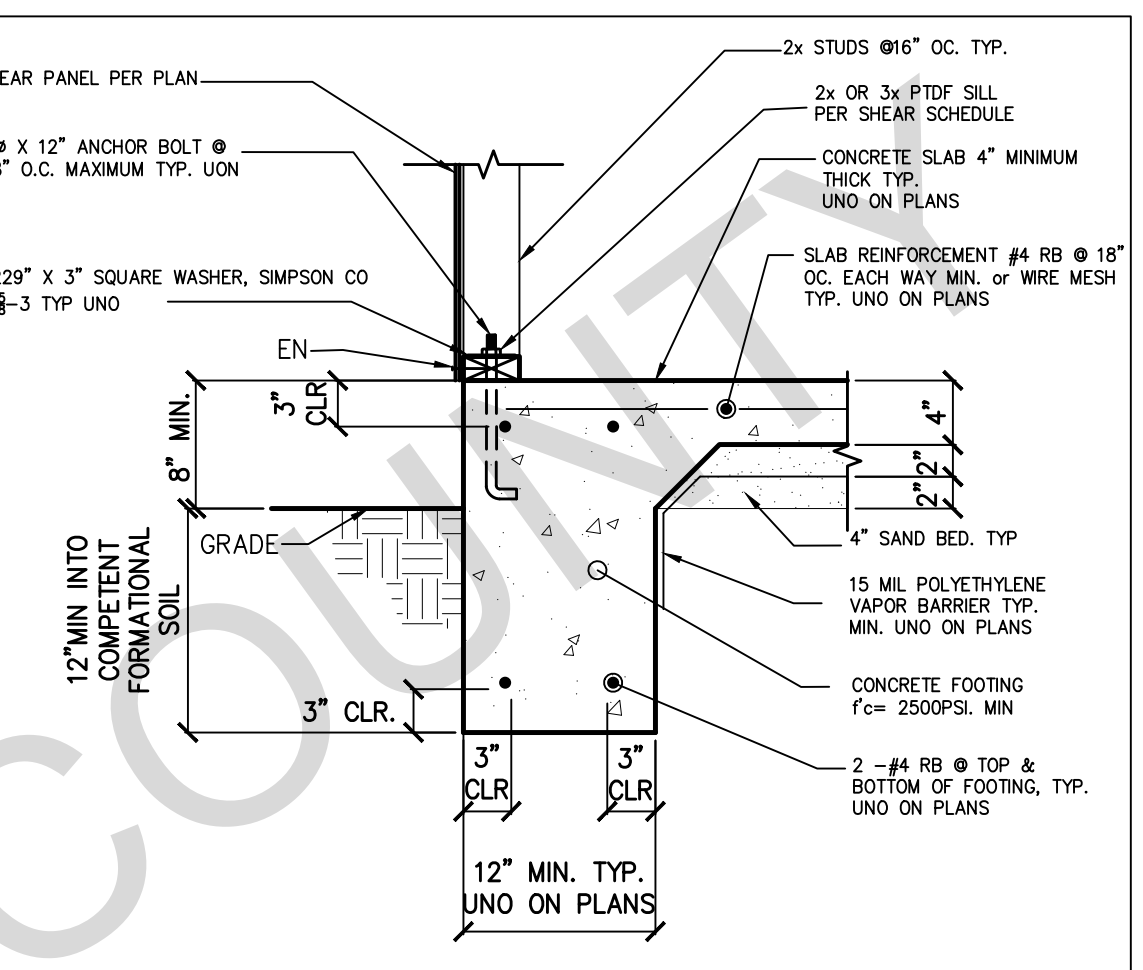
13 EXTERIOR WALL AT PORCH FOOTING SCALE: 1"=1'-0"



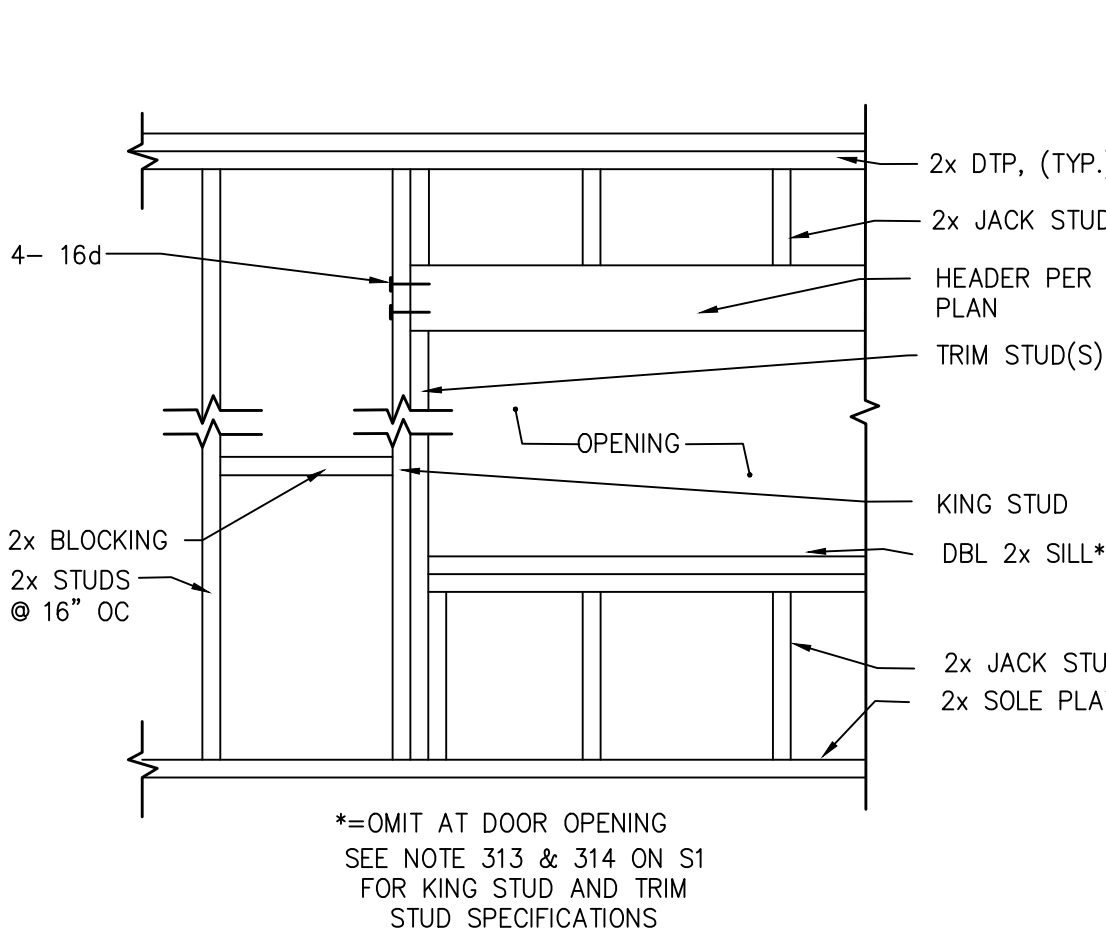
9 STANDARD HOOK DETAILS SCALE: NTS



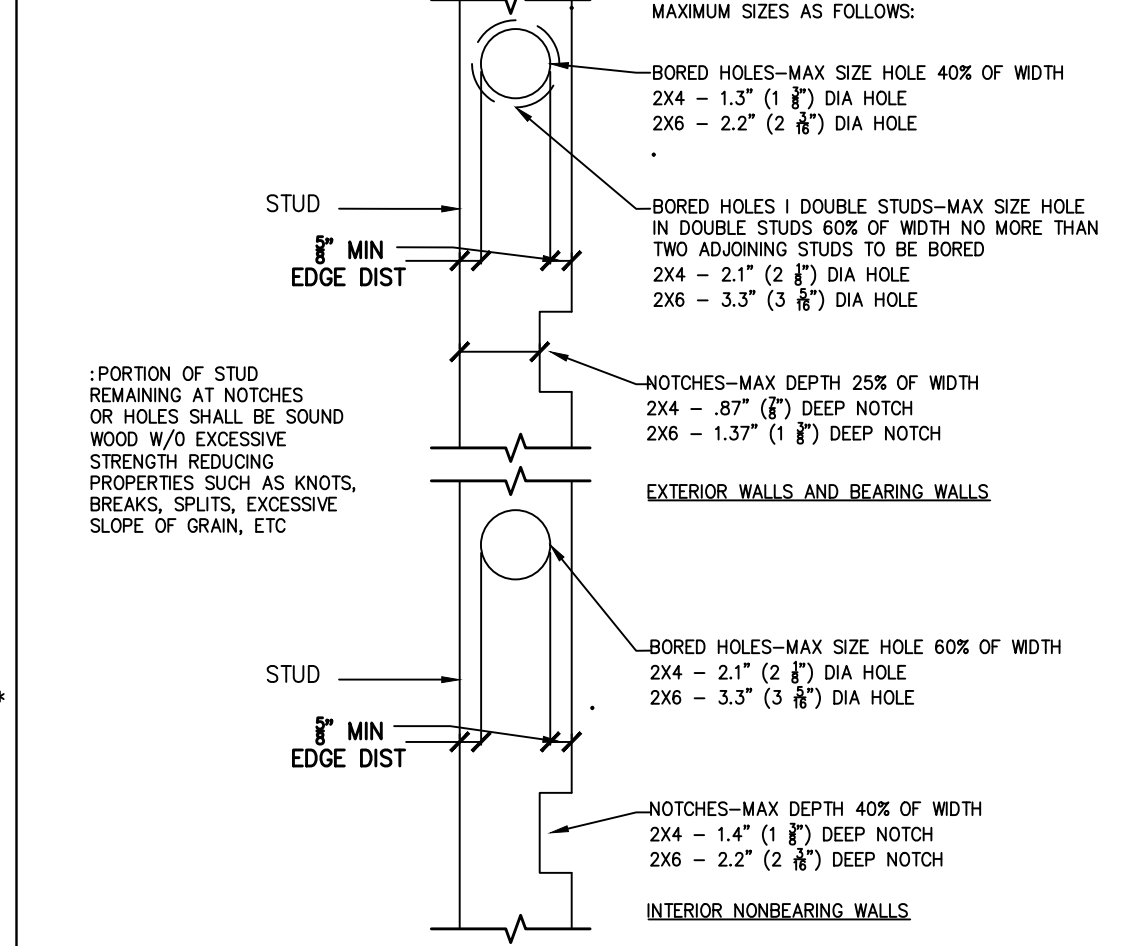
5 POST FOOTING WITH SLAB SCALE: 1"=1'-0"



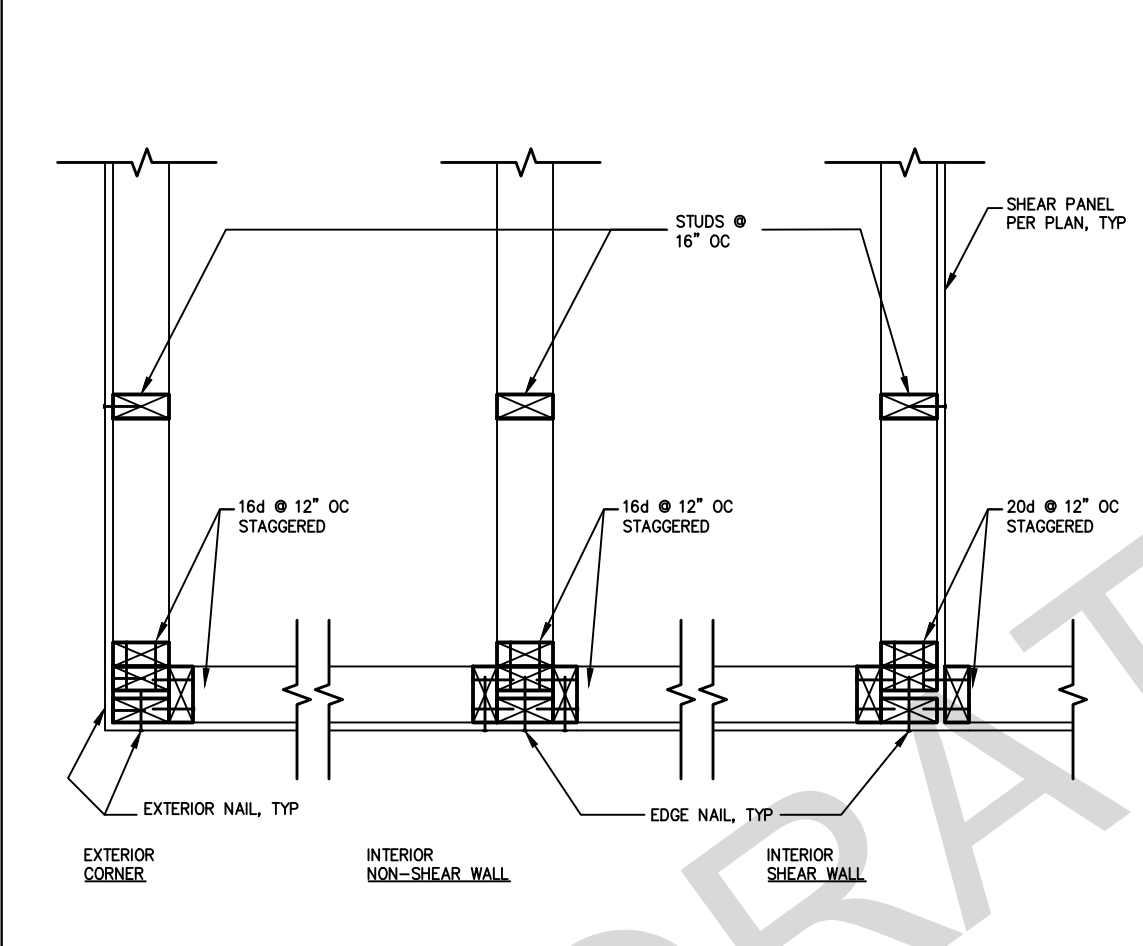
1 EXTERIOR FOOTING, TYPICAL SCALE: 1"=1'-0"



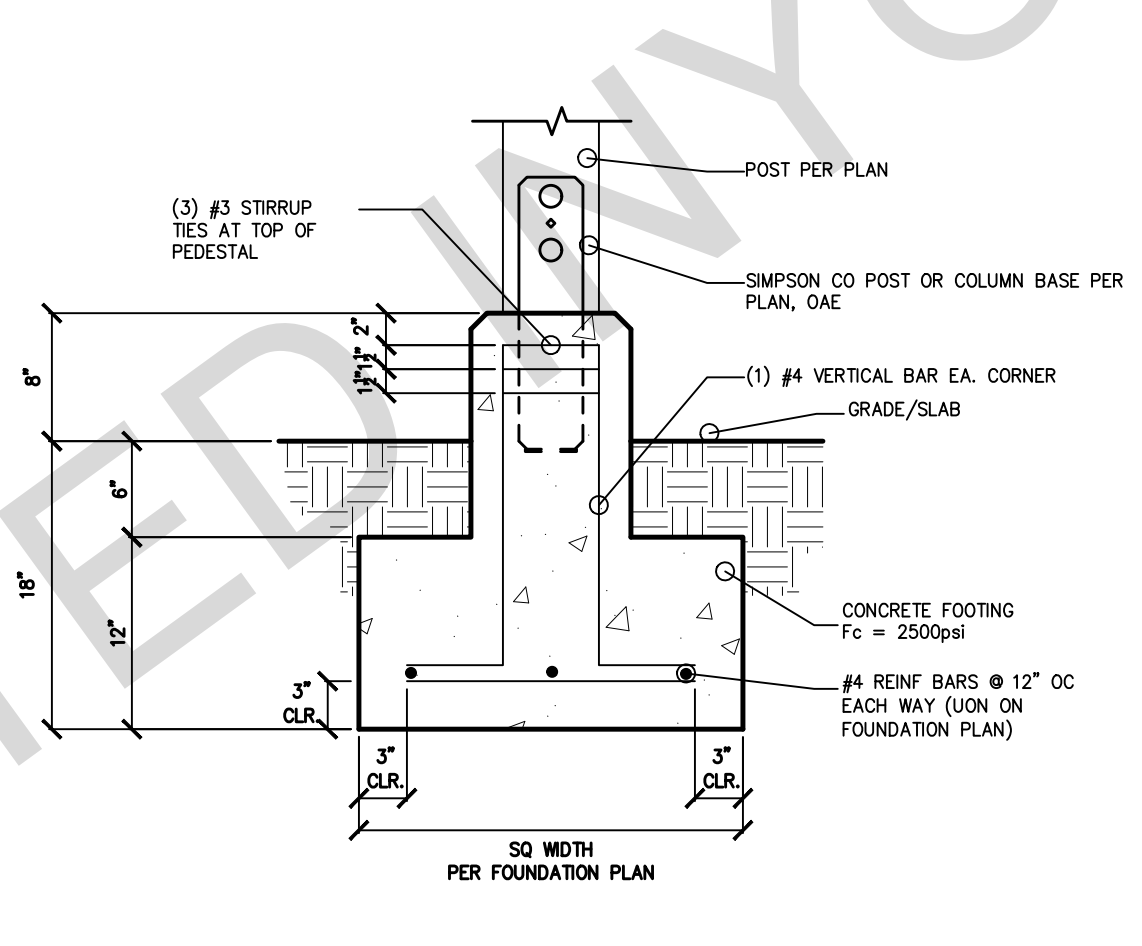
18 FRAMING FOR ROUGH WINDOW OR DOOR OPENING SCALE: 1 1/2\"=1'-0"



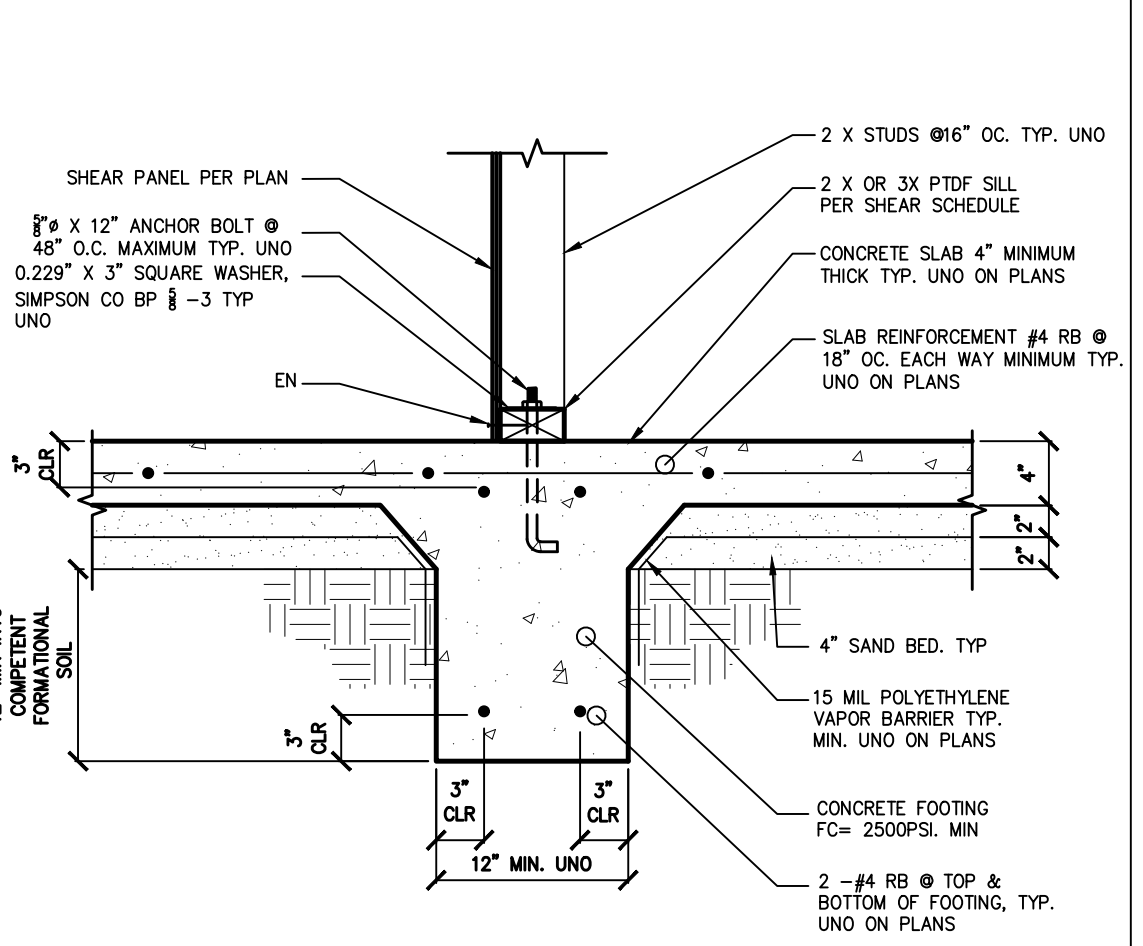
14 STUD CUTTING, BORING AND NOTCHING SCALE: 1"=1'-0"



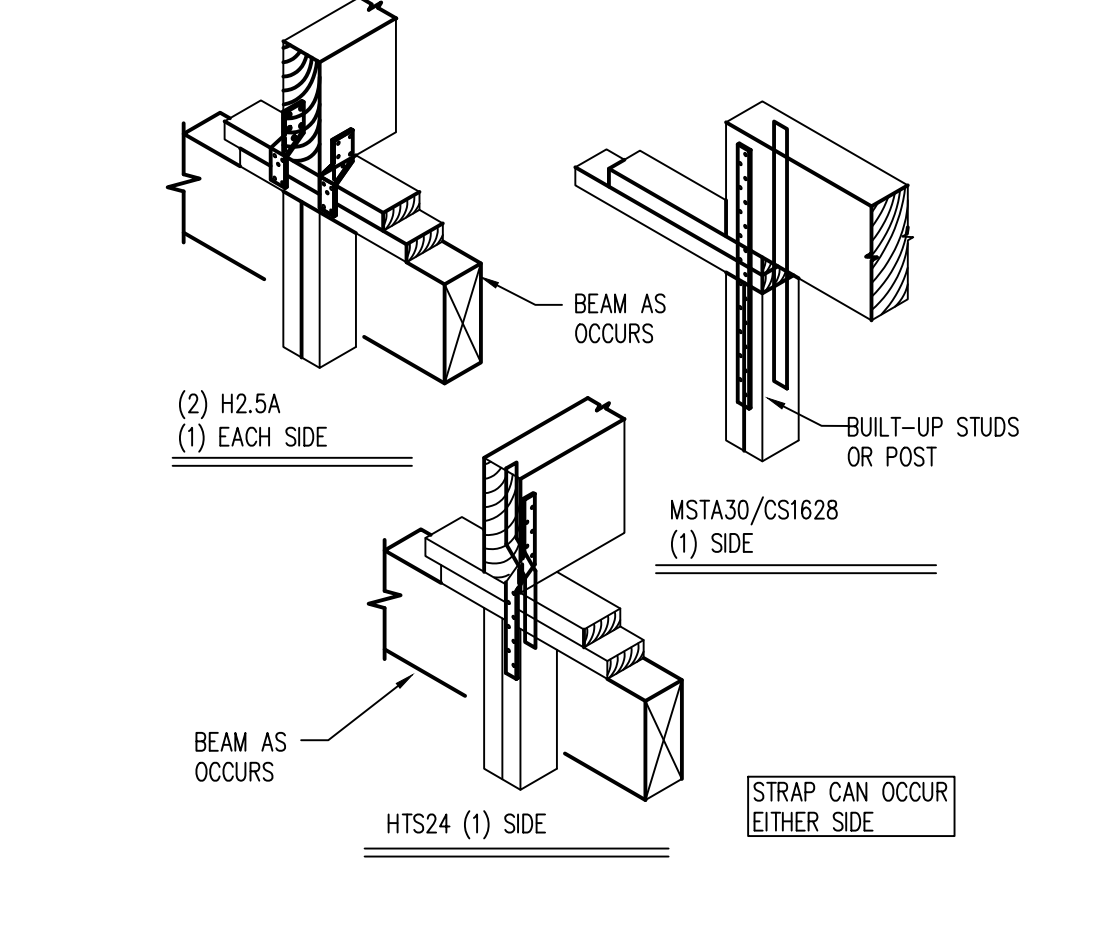
10 STUD WALL INTERSECTION SCALE: 1"=1'-0"



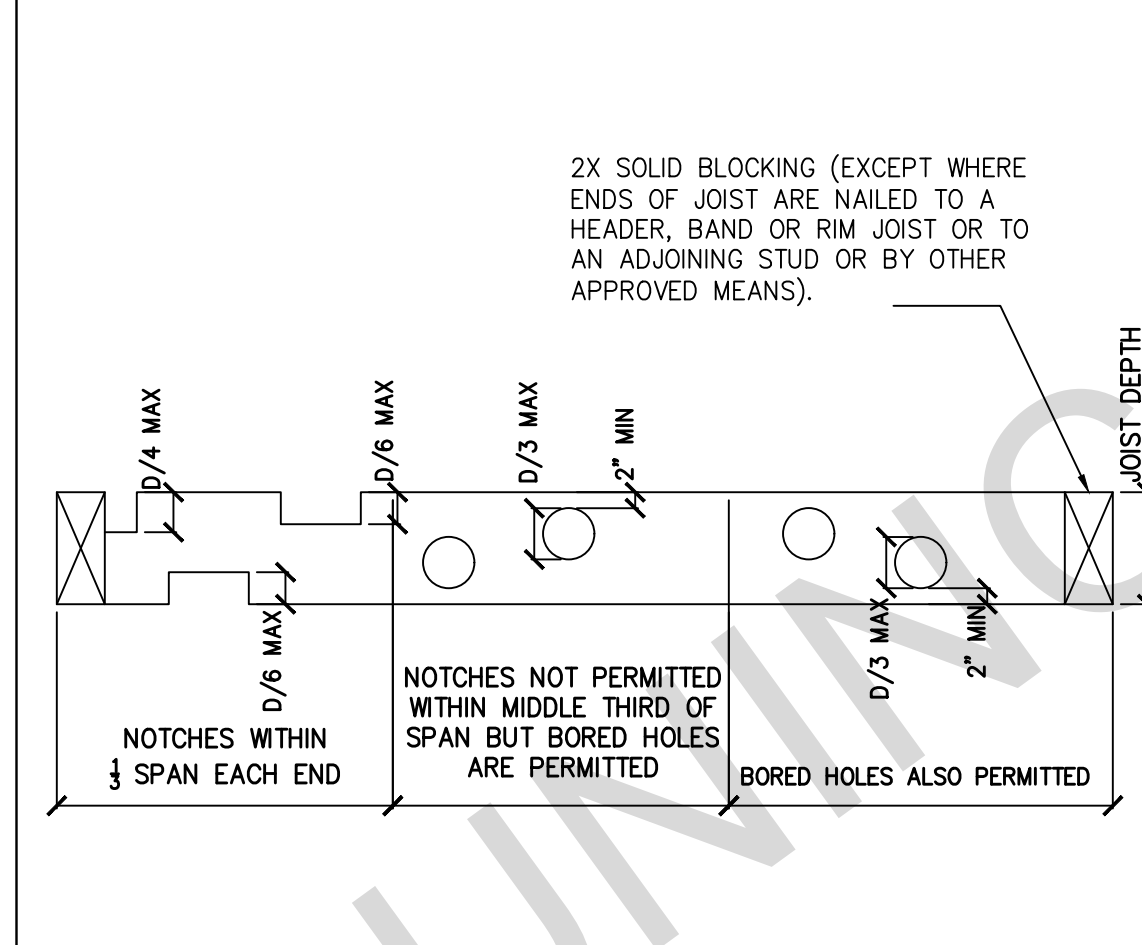
6 TYPICAL POST FOOTING SCALE: 1"=1'-0"



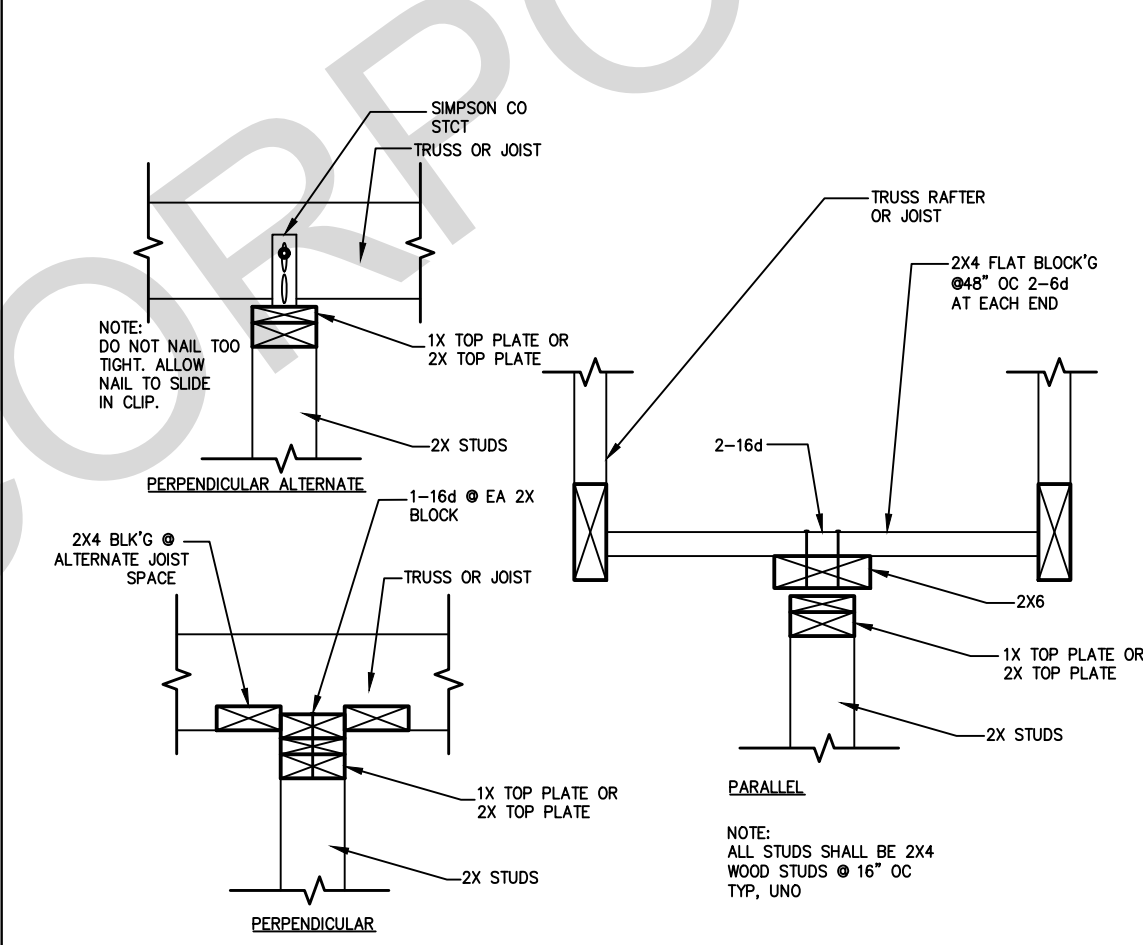
2 SLAB ON GRADE ONE STORY INTERIOR FOOTING SCALE: 1"=1'-0"



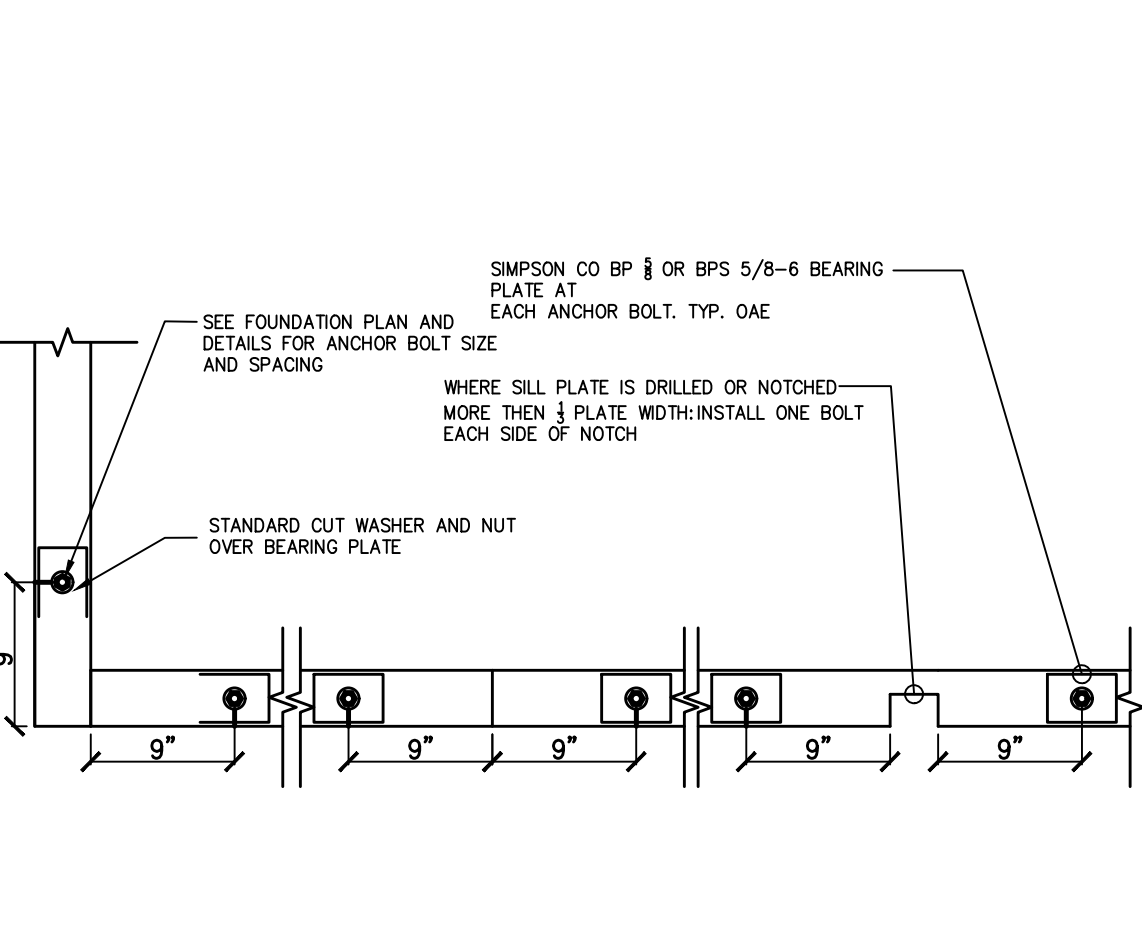
19 SUPPORT COLUMN TO BEAM SCALE: 1"=1'-0"



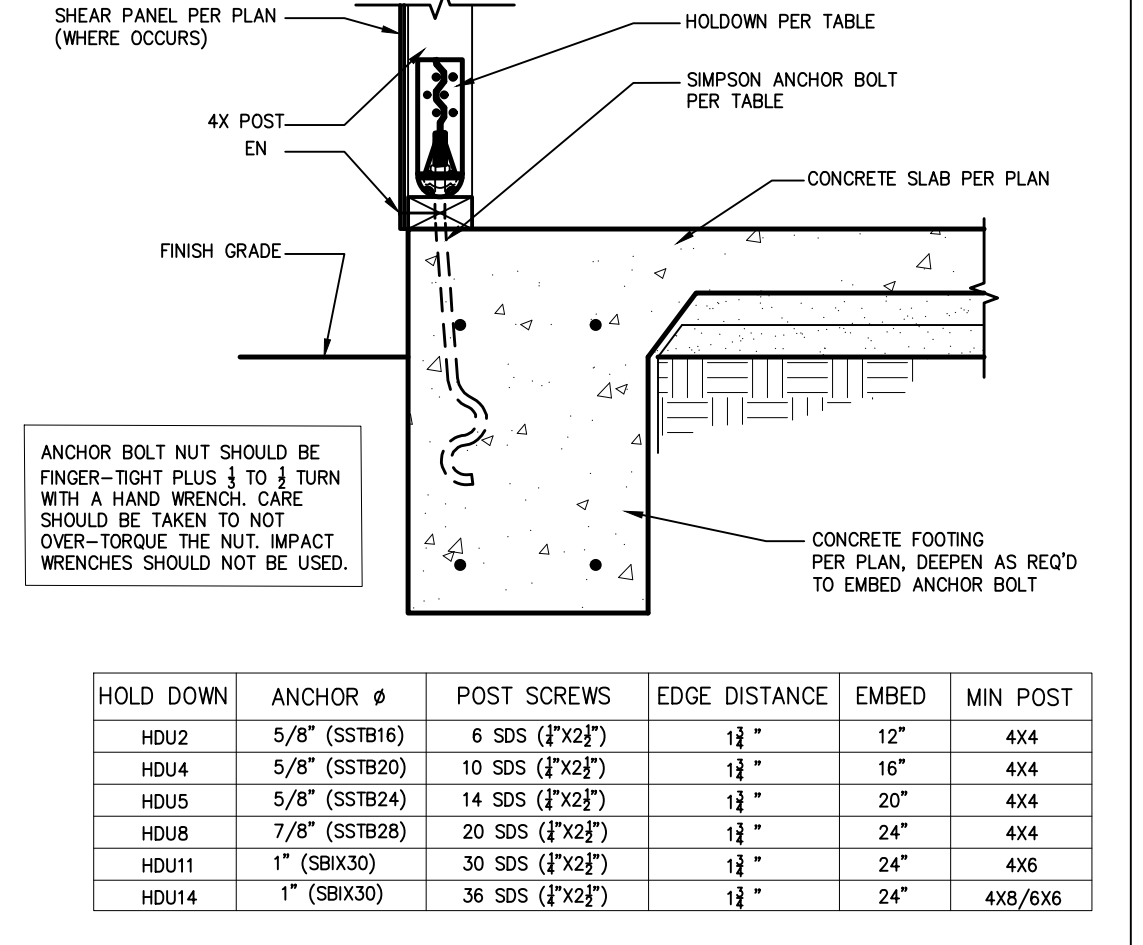
15 JOIST CUTTING, BORING AND NOTCHING SCALE: NTS



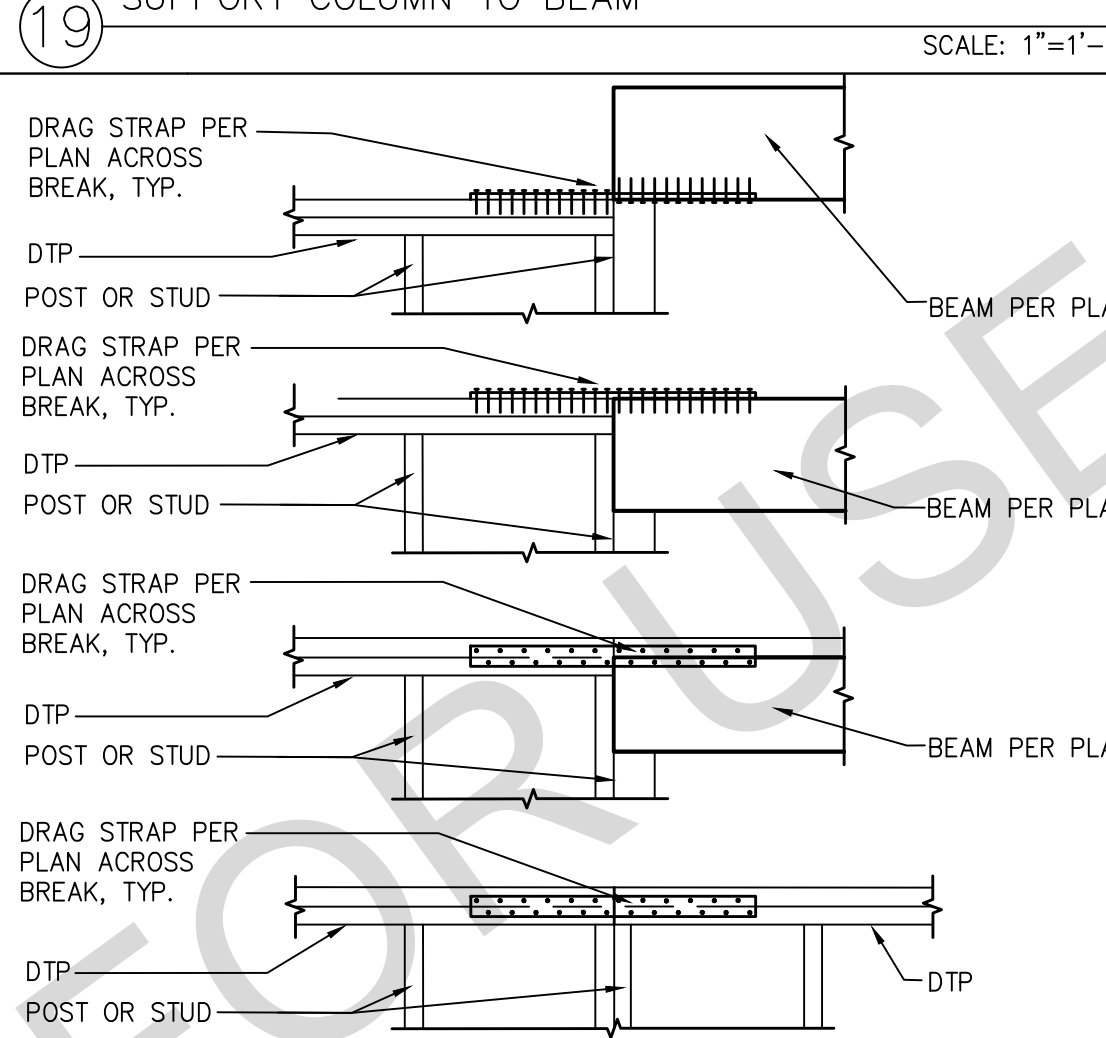
11 NON-BEARING/NON-SHEAR PARTITIONS AT TOP PLATE SCALE: 1"=1'-0"



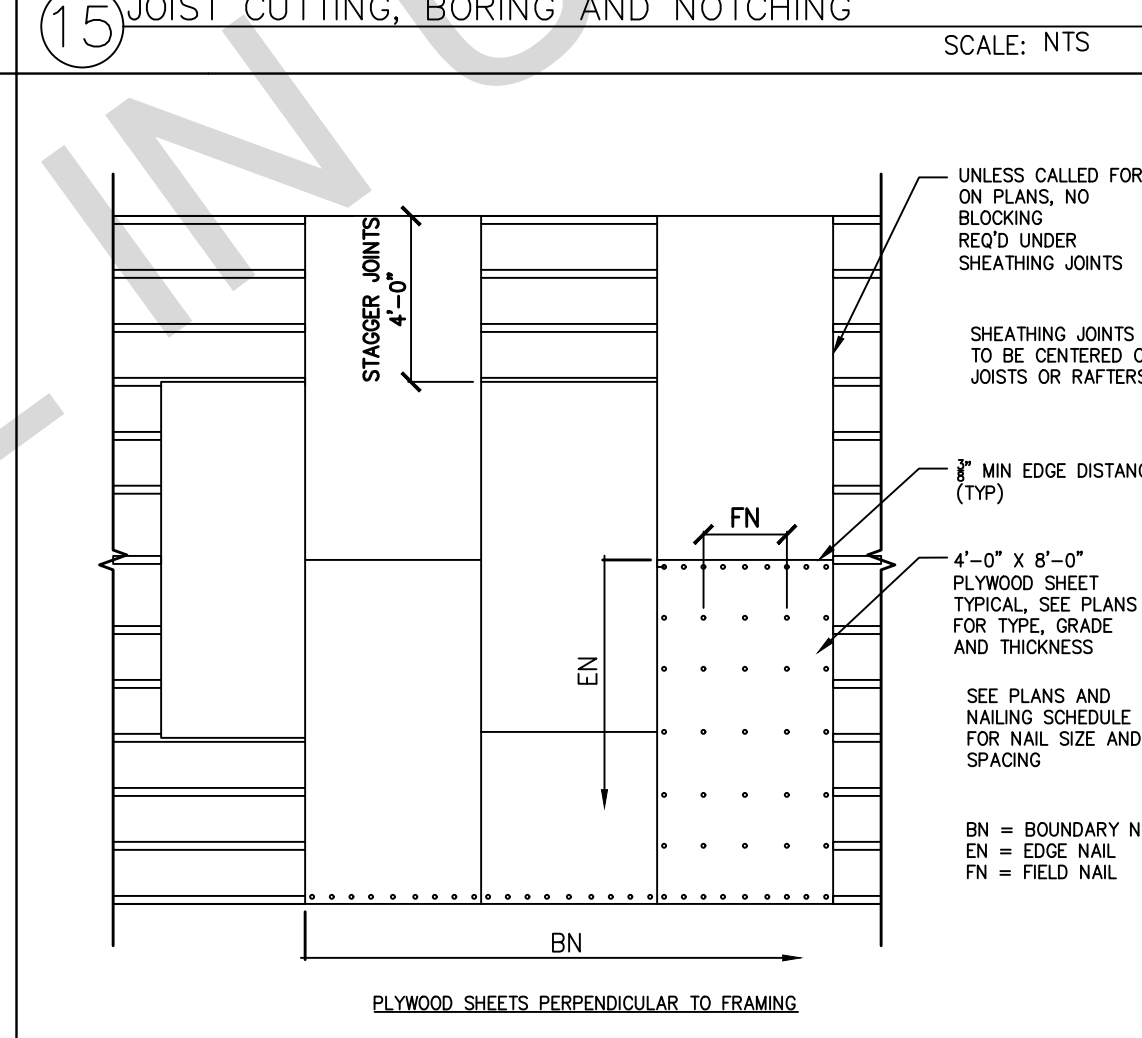
7 SILL PLATE ANCHOR BOLTING SCALE: 1"=1'-0"



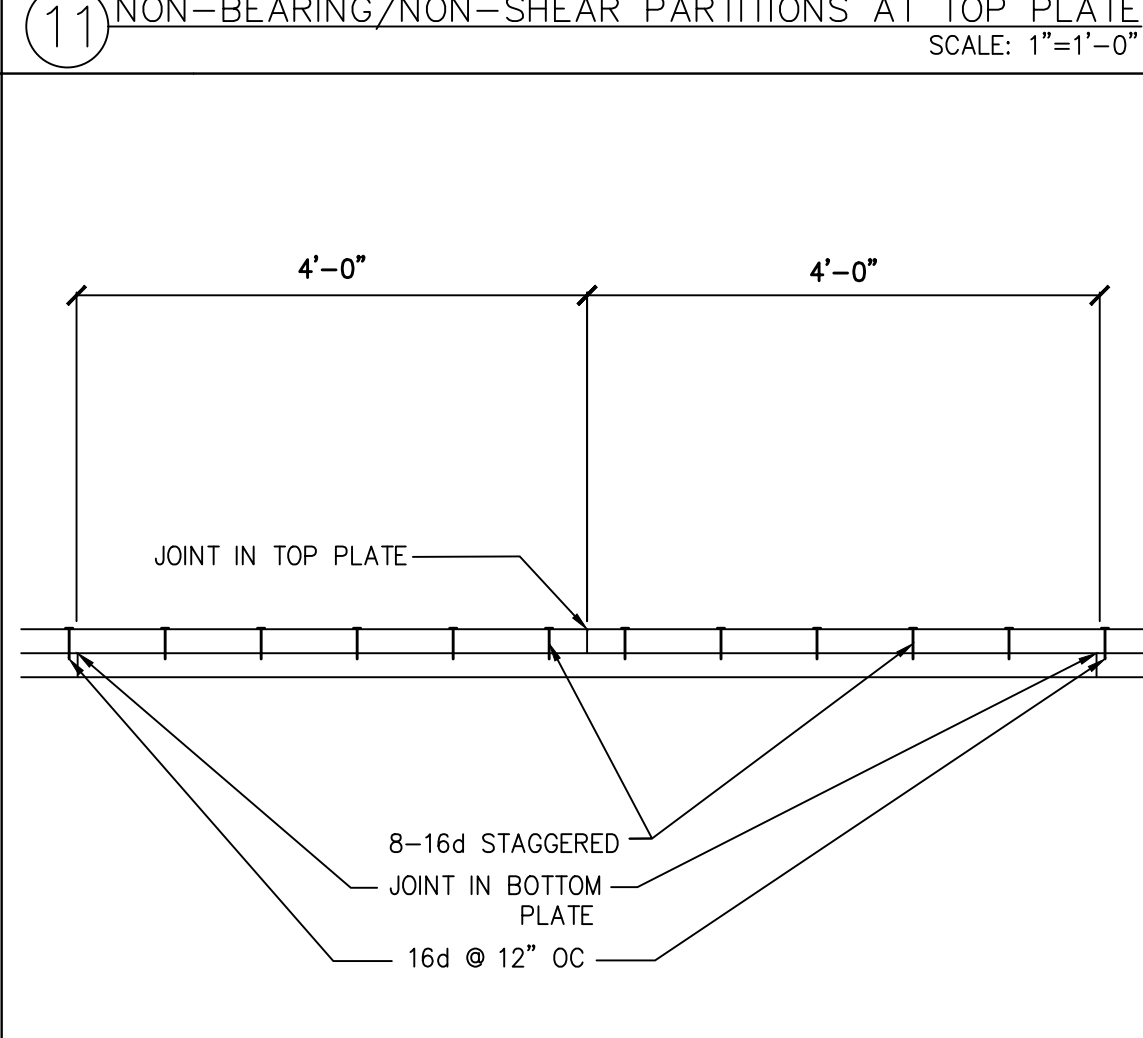
3 HOLDDOWN - PERIMETER FOOTING SCALE: 1"=1'-0"



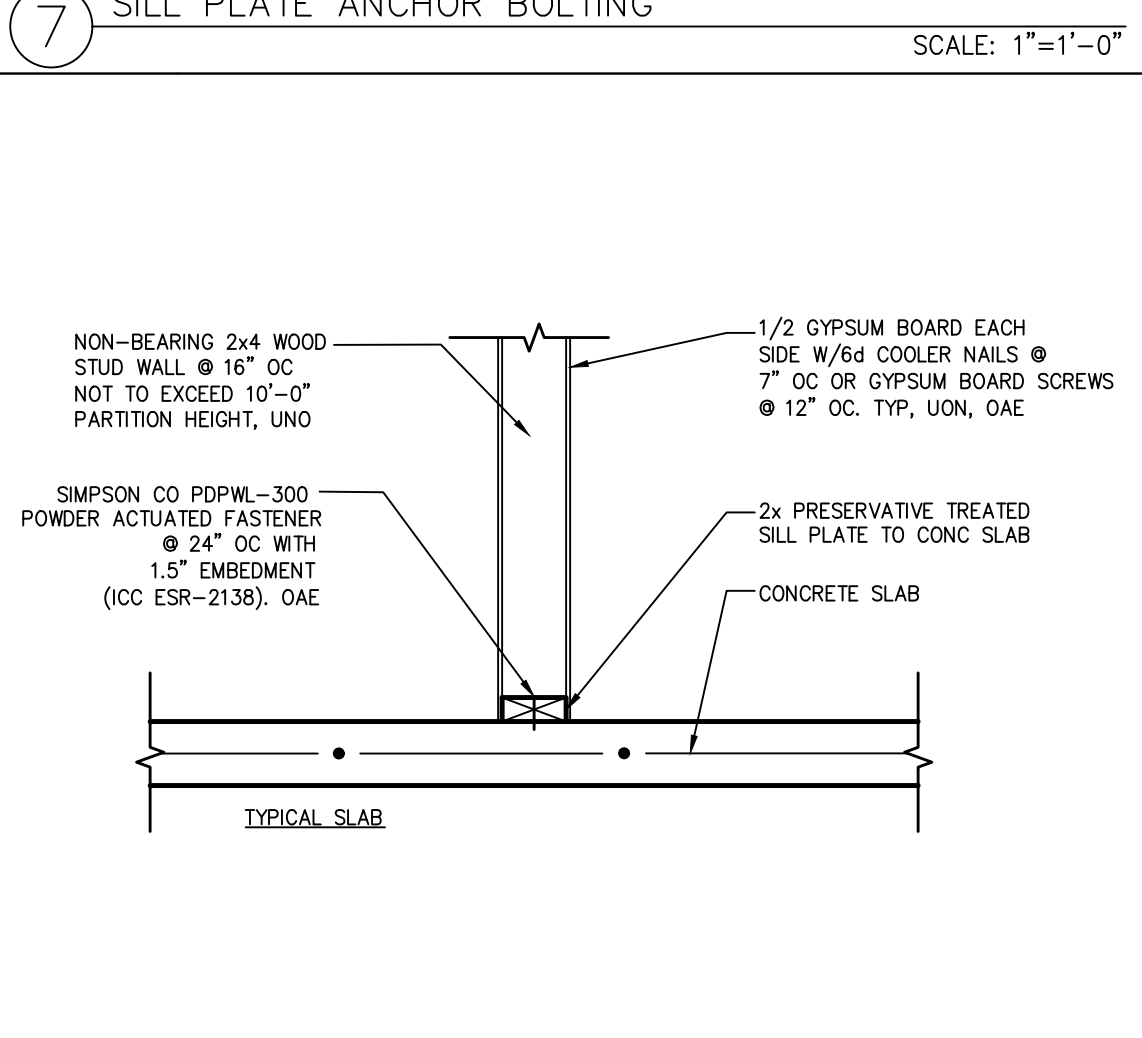
20 DRAG STRAP AT TP TO BM OR TP SCALE: 1"=1'-0"



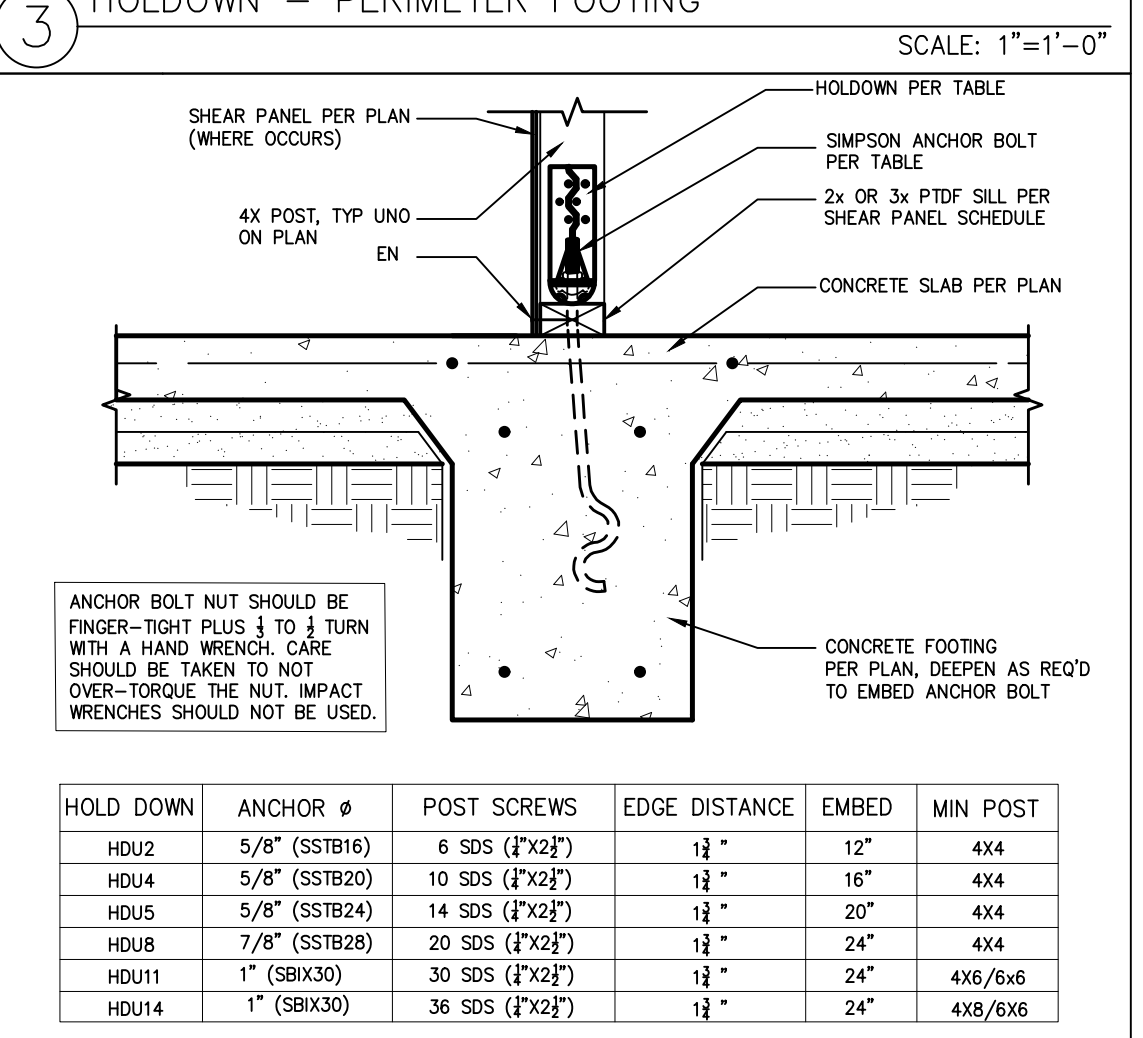
16 WOOD ROOF AND FLOOR SHEATHING LAYOUT SCALE: 1"=1'-0"



12 DOUBLE TOP-PLATE SPLICE SCALE: NTS



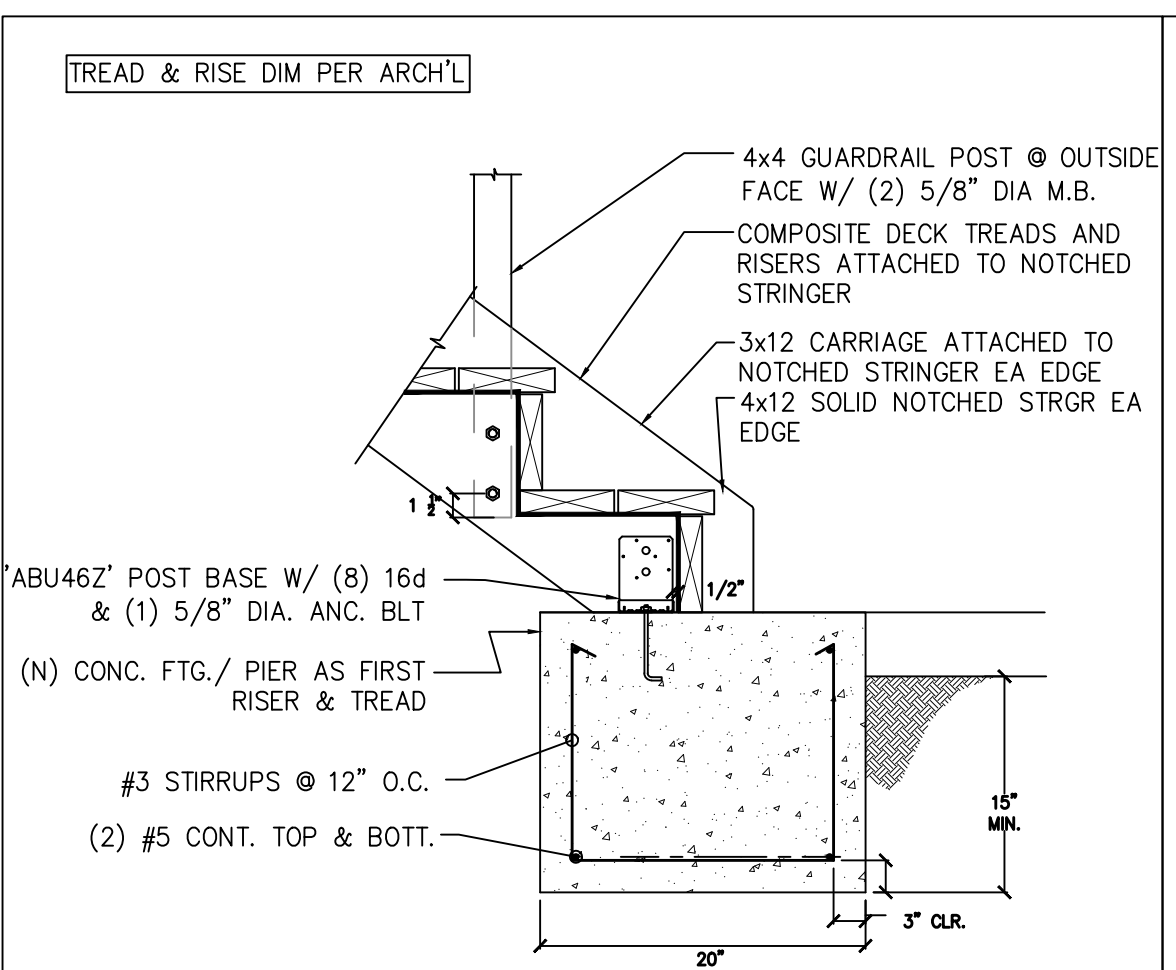
8 NON-BEARING INTERIOR STUD WALL TO CONCRETE SLAB SCALE: 1"=1'-0"



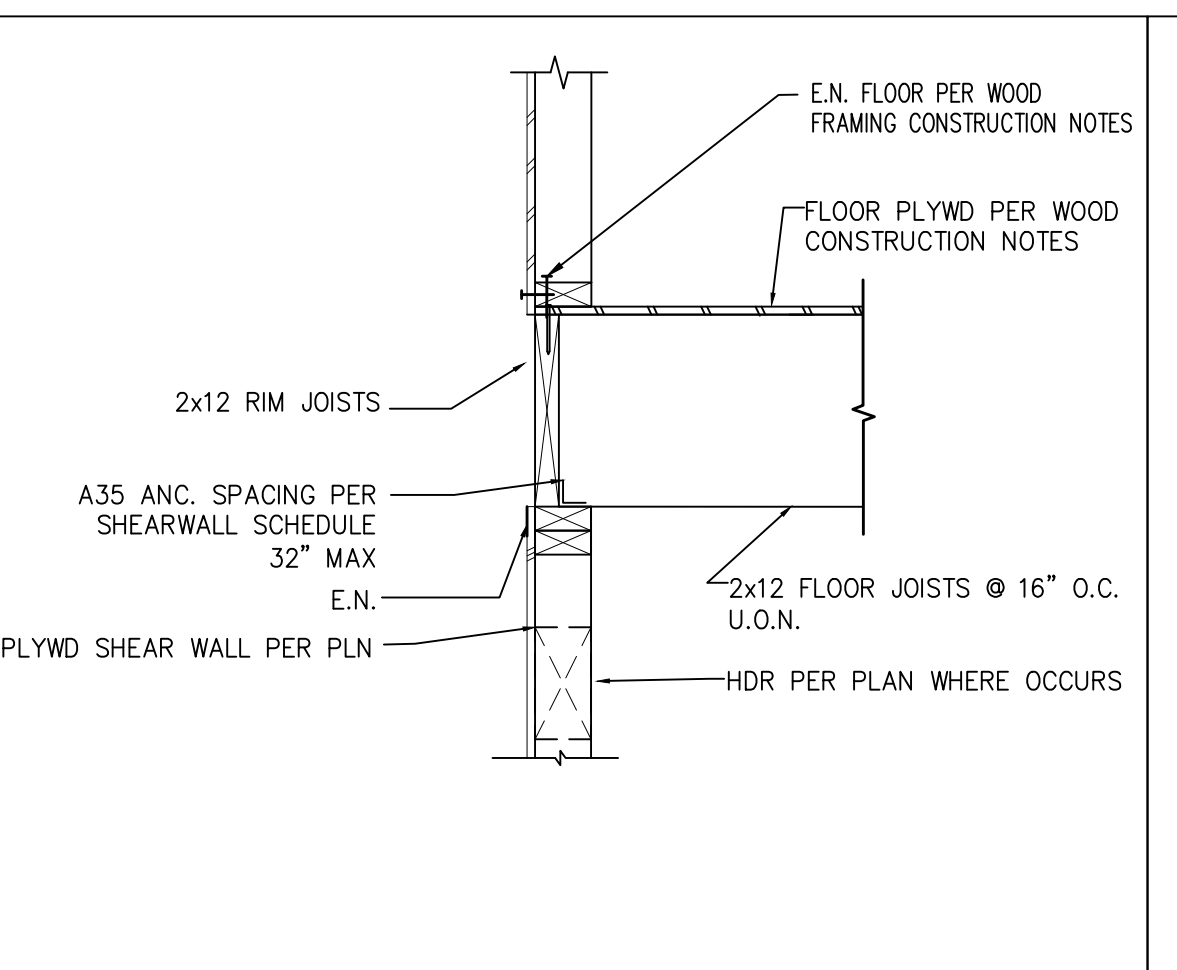
4 HOLDDOWN - INTERIOR FOOTING SCALE: 1"=1'-0"

BY USING THESE PERMIT READY CONSTRUCTION DOCUMENTS, THE RECIPIENT ACKNOWLEDGES, ACCEPTS AND VOLUNTARILY AFFIRMS THE FOLLOWING CONDITIONS:
 1. THE USE OF THIS INFORMATION IS RESTRICTED TO THE ORIGINAL PROJECT FOR WHICH IT WAS PREPARED FOR THE PERMIT READY ACCESSORY DWELLING UNIT (ADU) PROGRAM FOR THE COUNTY OF INYO ONLY. THIS IS A LIMITED SET OF STANDARDIZED ADU PLANS AND SPECIFICATIONS APPROVED BY THE COUNTY OF INYO BUILDING DEPARTMENT. BUILDING CODES DO CHANGE OVER TIME AND RECIPIENT SHALL ENSURE FULL COMPLIANCE UNDER ALL CODES THEN IN EFFECT AT THE TIME OF THE SUBJECT PERMIT. THIS DOES NOT ELIMINATE OR REDUCE THE RECIPIENT'S RESPONSIBILITY TO VERIFY ANY AND ALL INFORMATION RELEVANT TO THE RECIPIENT'S WORK AND RESPONSIBILITY ON THIS PROJECT. DESIGN PATH STUDIO SHALL NOT BE RESPONSIBLE FOR TRANSLATION ERRORS; DO NOT USE THESE CONSTRUCTION DOCUMENTS IF THE PERMIT HAS EXPIRED OR IS REVOKED AT ALL.
 2. THE RECIPIENT RECOGNIZES AND ACKNOWLEDGES THAT THE USE OF THIS INFORMATION WILL BE AT THEIR SOLE RISK AND WITHOUT ANY LIABILITY OR LEGAL EXPOSURE TO DESIGN PATH STUDIO. NO WARRANTIES OF ANY NATURE, WHETHER EXPRESS OR IMPLIED, SHALL ATTACH TO THESE DOCUMENTS AND THE INFORMATION CONTAINED THEREON. ANY USE, REUSE, OR ALTERATION OF THESE DOCUMENTS BY THE RECIPIENT OR BY OTHERS WILL BE AT THE RECIPIENT'S RISK AND FULL LEGAL RESPONSIBILITY. FURTHERMORE, THE RECIPIENT WILL, TO THE FULLEST EXTENT PERMITTED BY LAW, DEFEND, INDEMNIFY AND HOLD DESIGN PATH STUDIO AND ITS ARCHITECTS HARMLESS FROM ANY AND ALL CLAIMS, SUITS, LIABILITY, DEMANDS, JUDGMENTS, OR COSTS ARISING OUT OF OR RESULTING THEREFROM IN ANY USE OF THESE CONSTRUCTION DOCUMENTS FOR OR ON ACCOUNT OF ANY INJURY, DEATH, DAMAGE OR LOSS TO PERSONS OR PROPERTY, DIRECT OR CONSEQUENTIAL DAMAGES IN ANY AMOUNT. THIS INDEMNITY DOES NOT APPLY TO THE SOLE NEGLIGENCE OR WILLFUL MISCONDUCT OF DESIGN PATH STUDIO OR ITS ARCHITECTS.
 3. THE DESIGNS REPRESENTED BY THESE PLANS ARE COPYRIGHTED AND ARE SUBJECT TO COPYRIGHT PROTECTION.
 4. IF THE RECIPIENT DOES NOT AGREE WITH THE ABOVE CONDITIONS, DO NOT PROCEED WITH CONSTRUCTION OF AN ADU OR OTHER IMPROVEMENT UNDER THESE PLANS AT ALL.

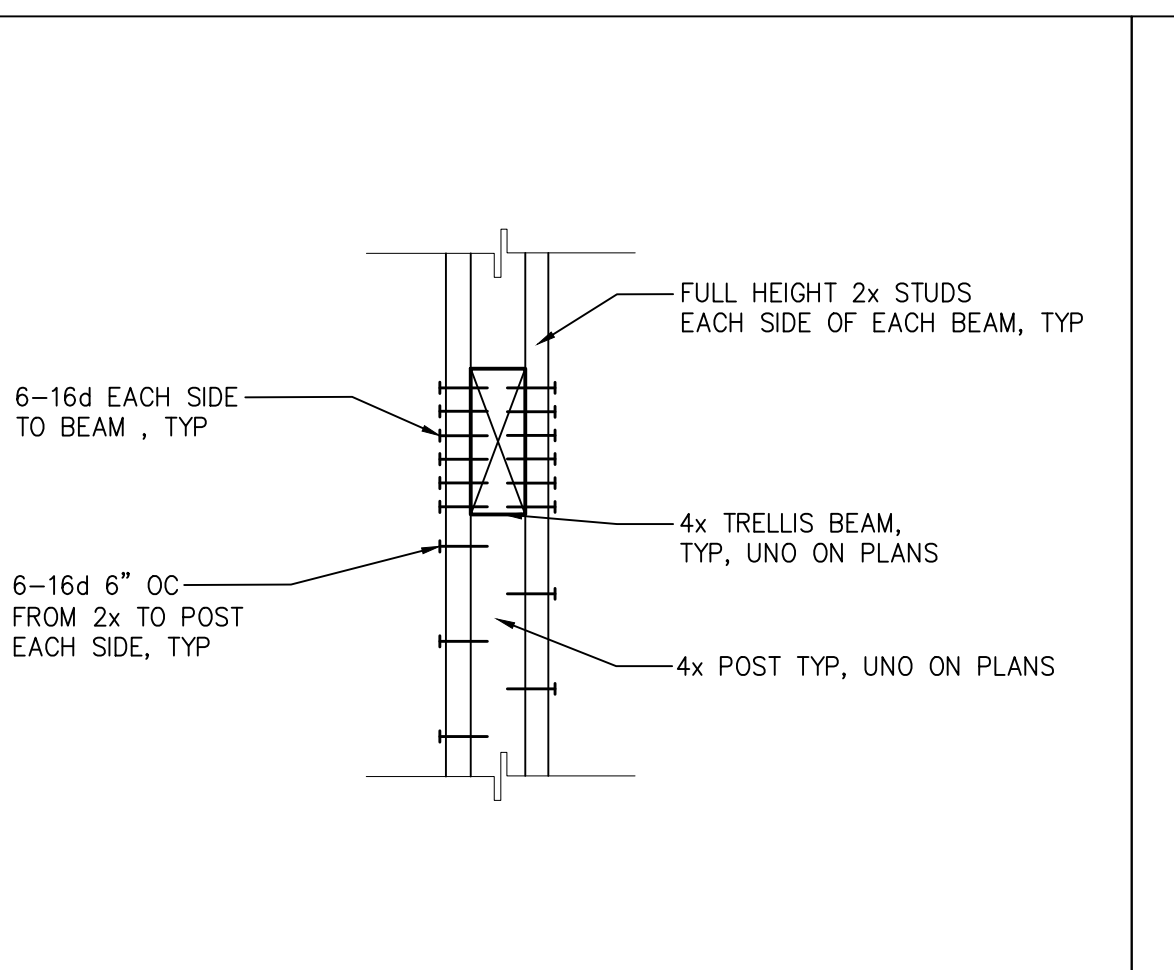
project
County of Inyo
Pre-Approved
ADU/SFD Program
 revisions
 description
Structural
Details
 date 2024
 project no. INYO COUNTY ADU/SFDs
 drawn by DESIGN PATH STUDIO
 sheet no. **S5**



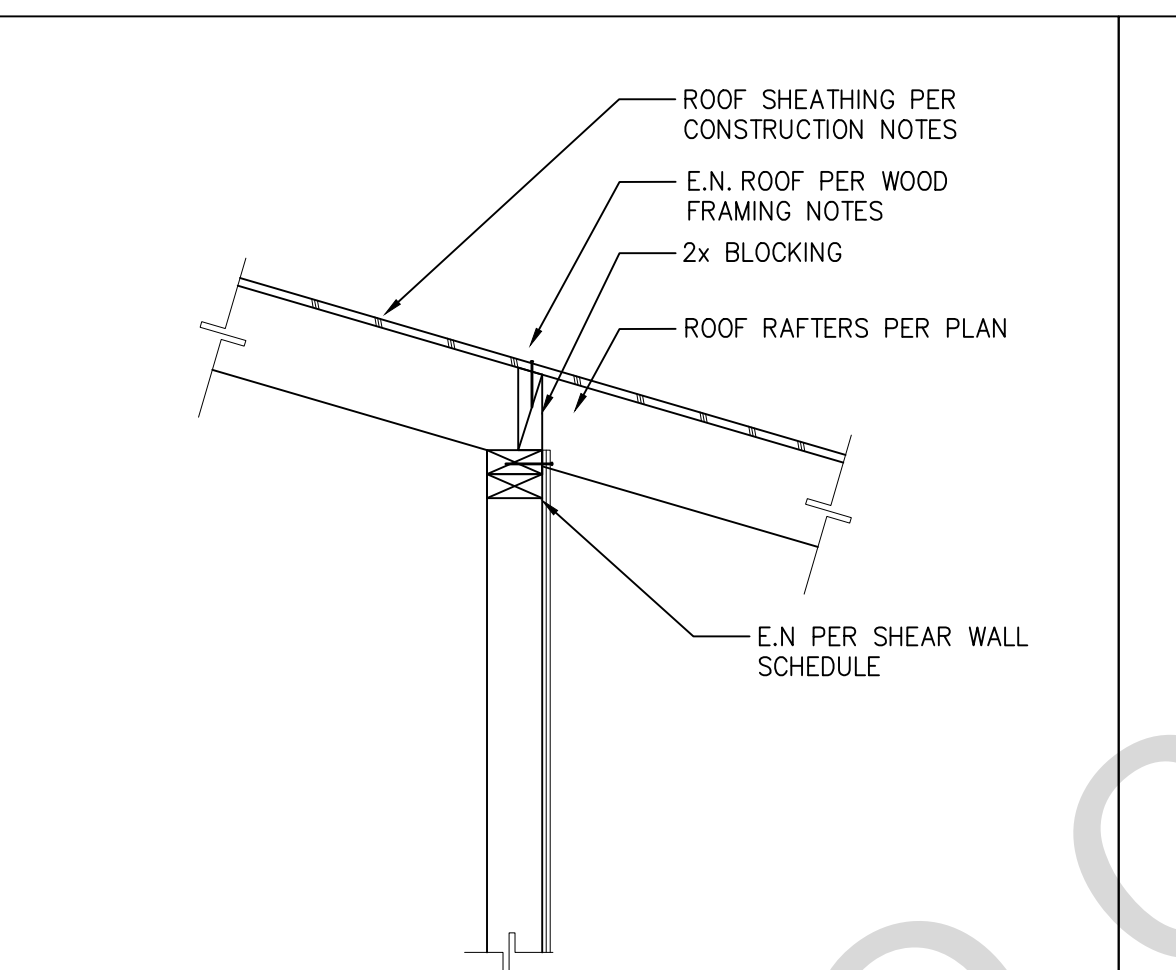
37 STAIR STRINGER AT FOOTING SCALE: 1"=1'-0"



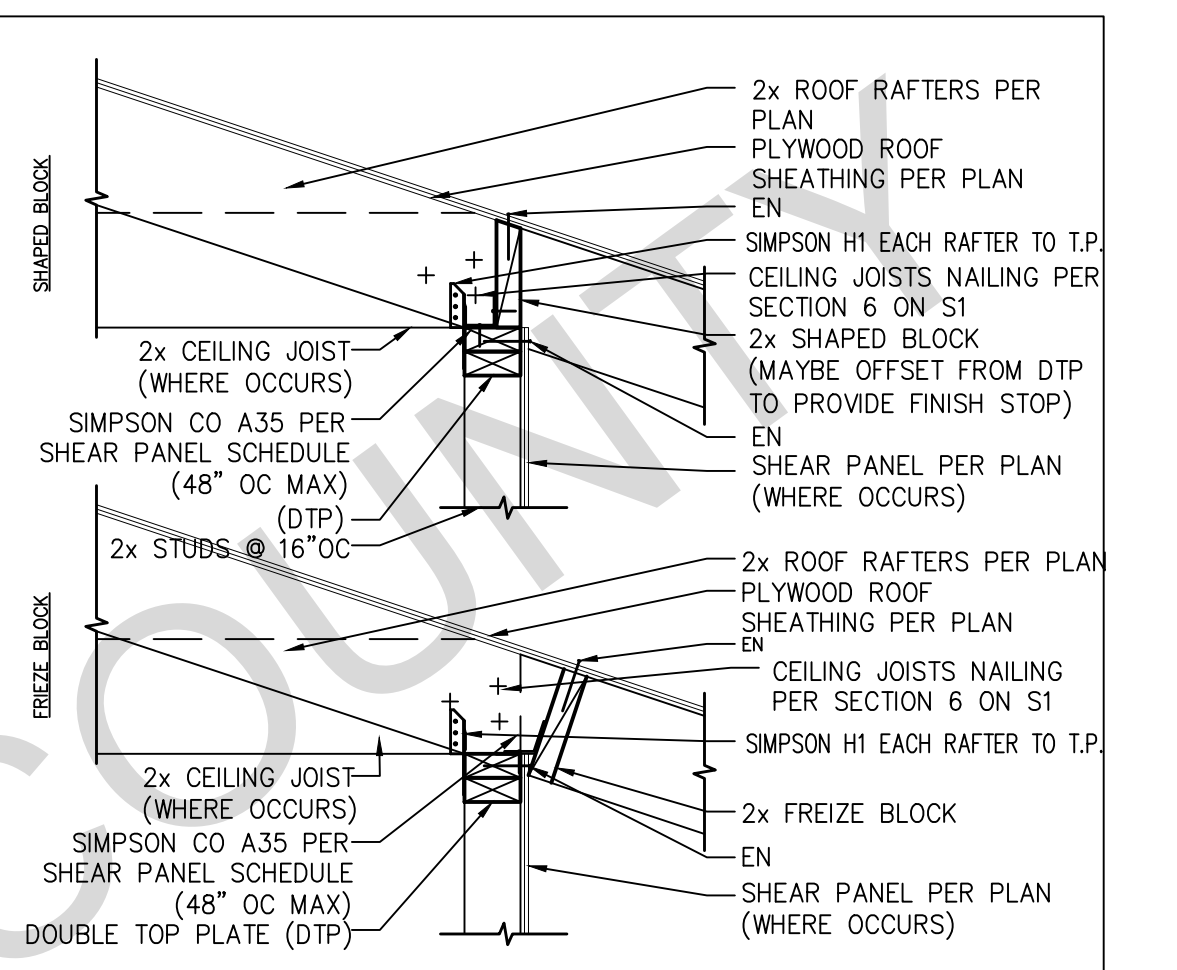
33 PERPENDICULAR JOISTS AT SHEAR WALL SCALE: 1"=1'-0"



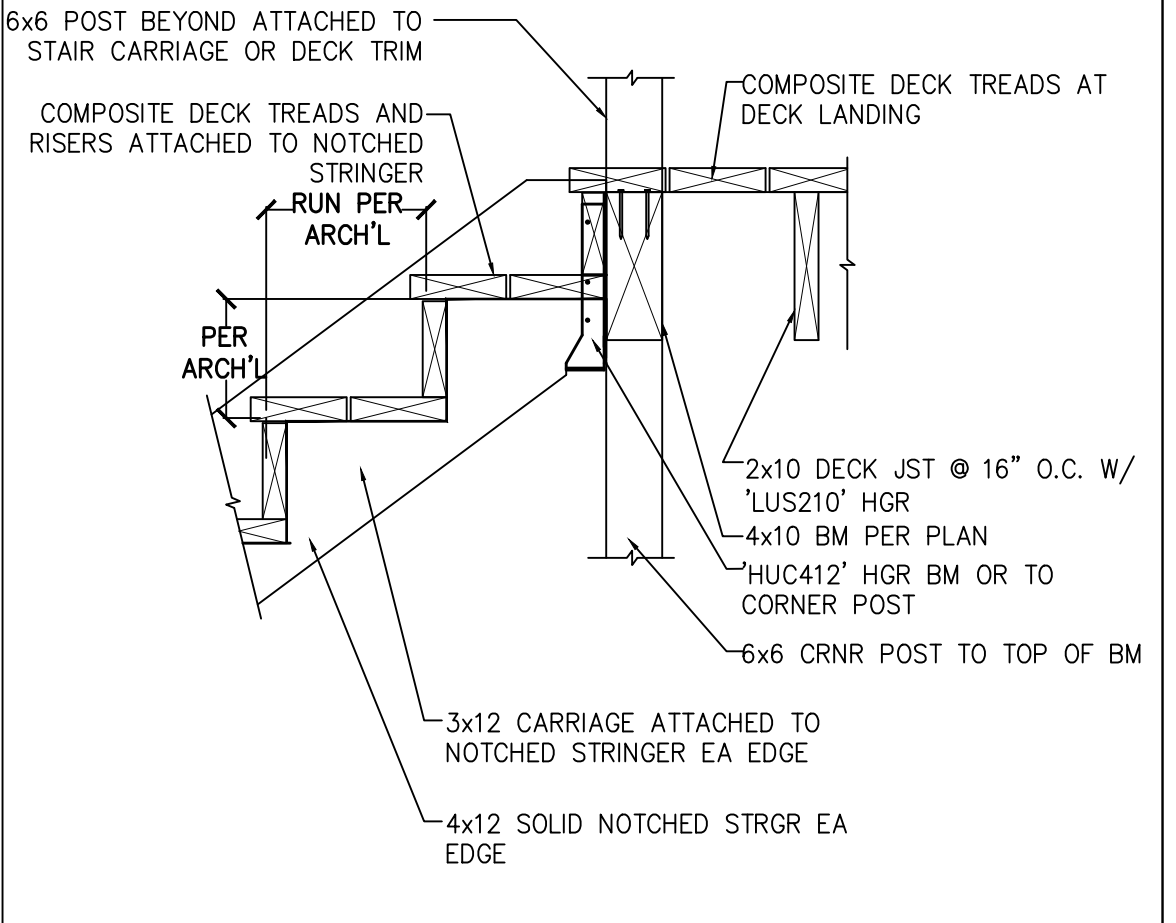
29 EXTERIOR BEAM TO STUD WALL SCALE: 1"=1'-0"



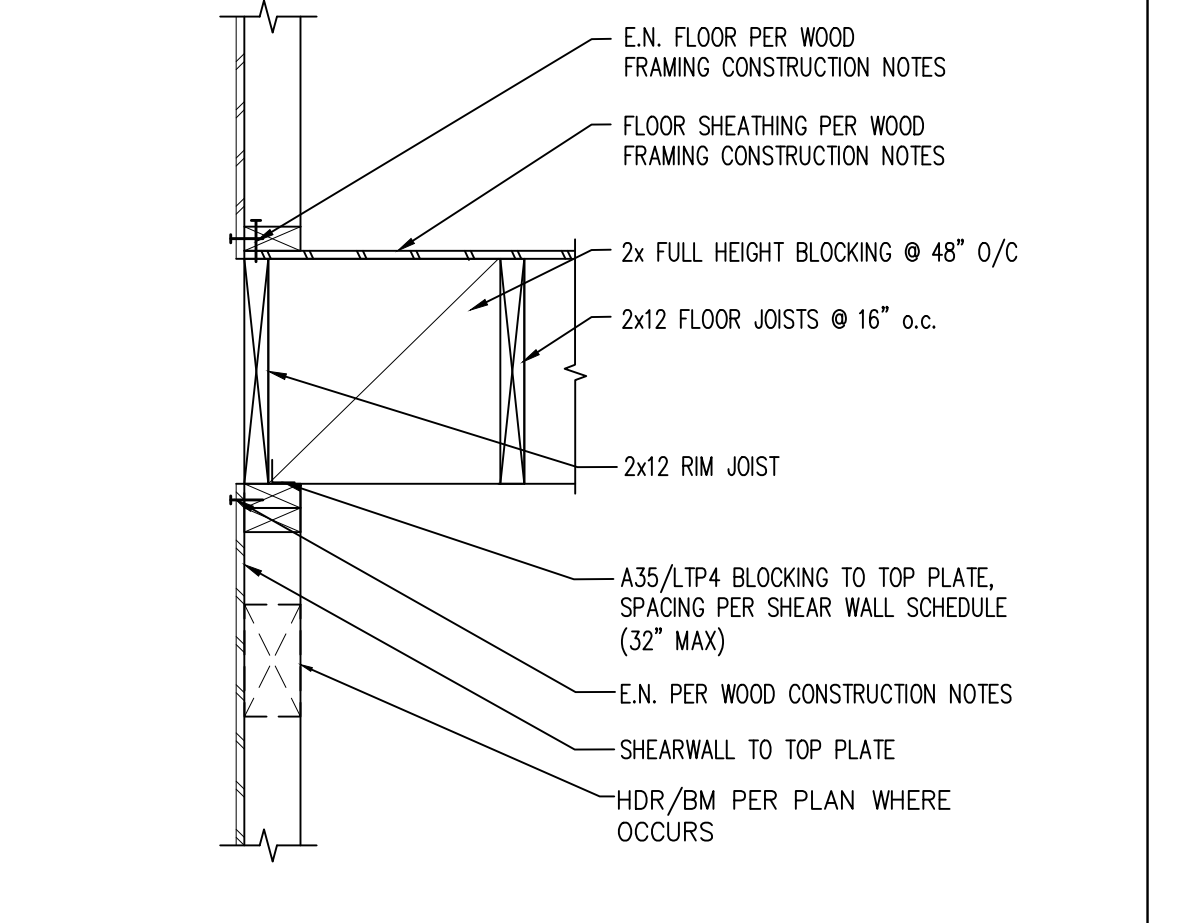
25 INTERMEDIATE BEARING WALL CONNECTION SCALE: 1"=1'-0"



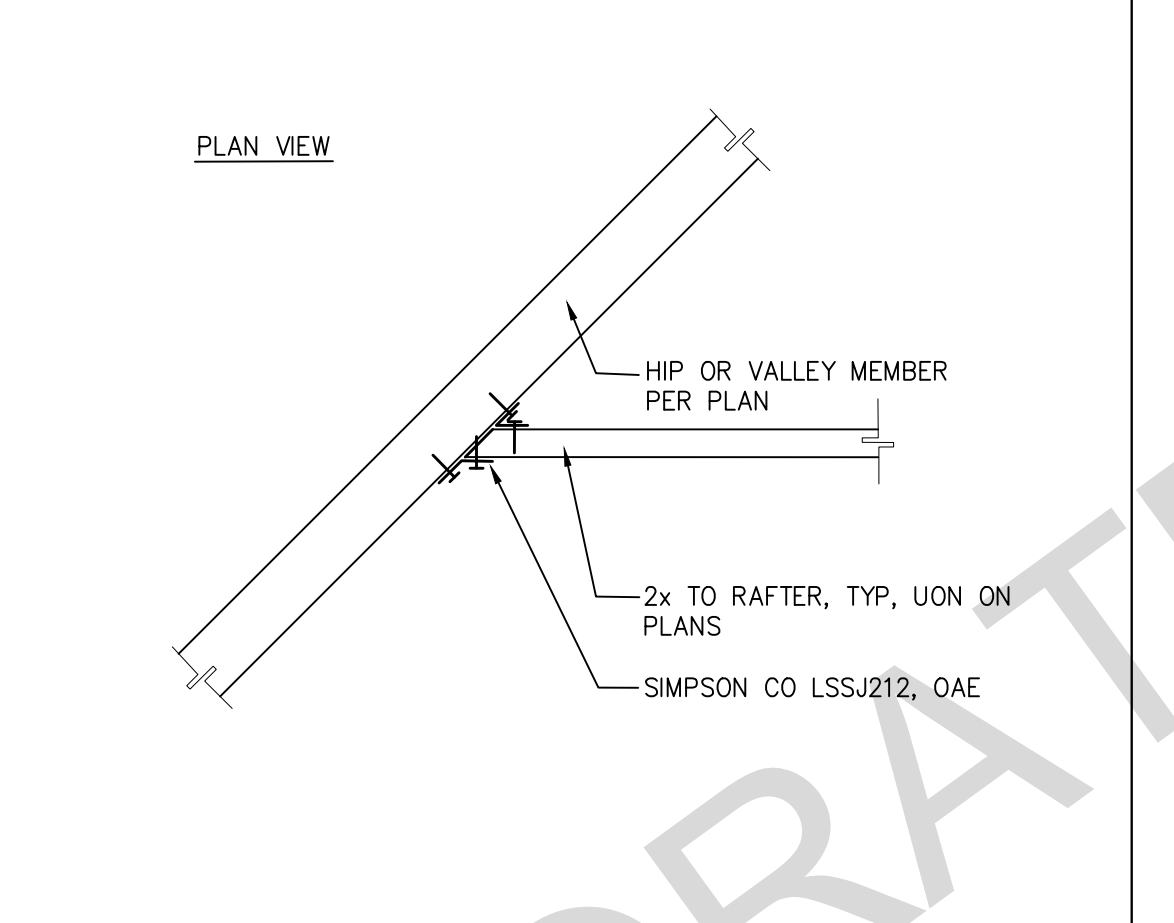
21 SHEAR TRANSFER AT EAVE SCALE: 1"=1'-0"



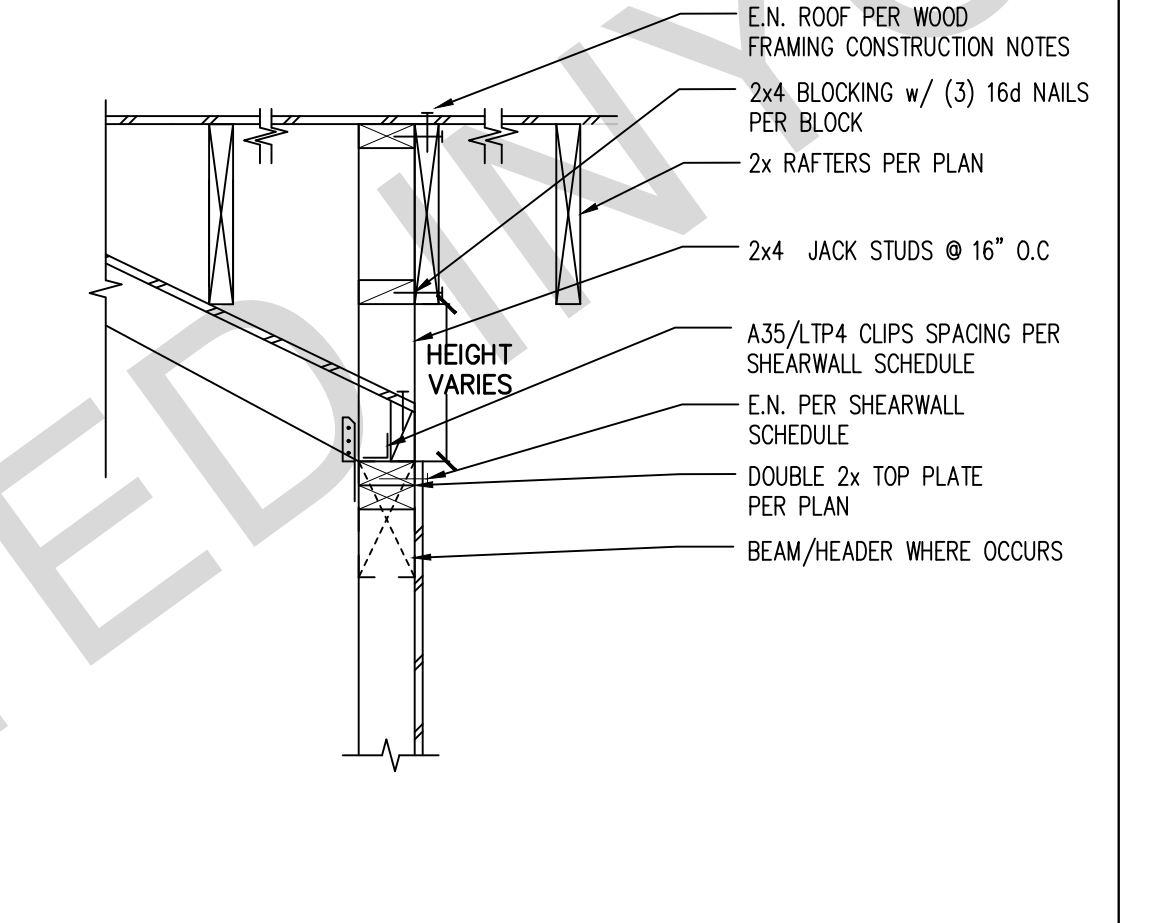
38 STAIR STRINGER AT LANDING SCALE: 1"=1'-0"



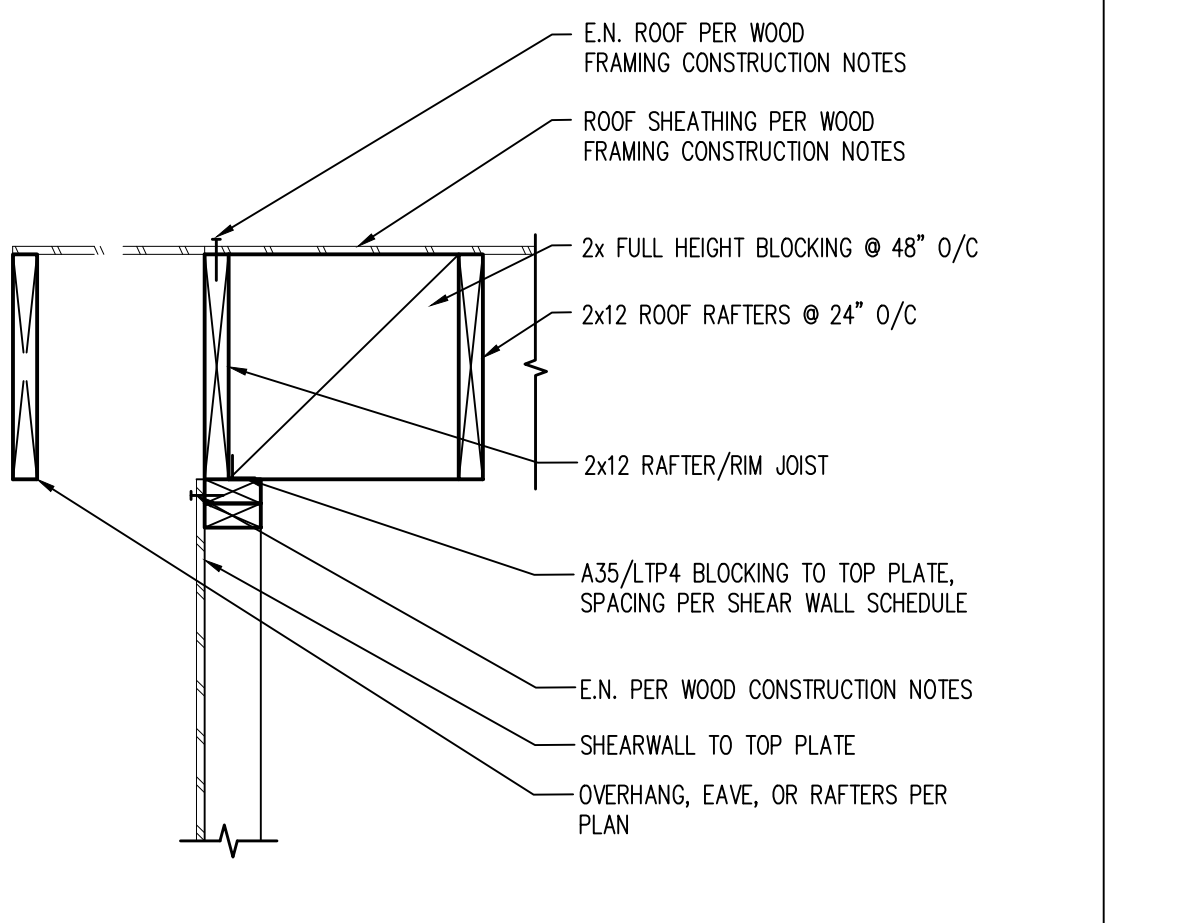
34 PARALLEL JOISTS AT SHEAR WALL SCALE: 1"=1'-0"



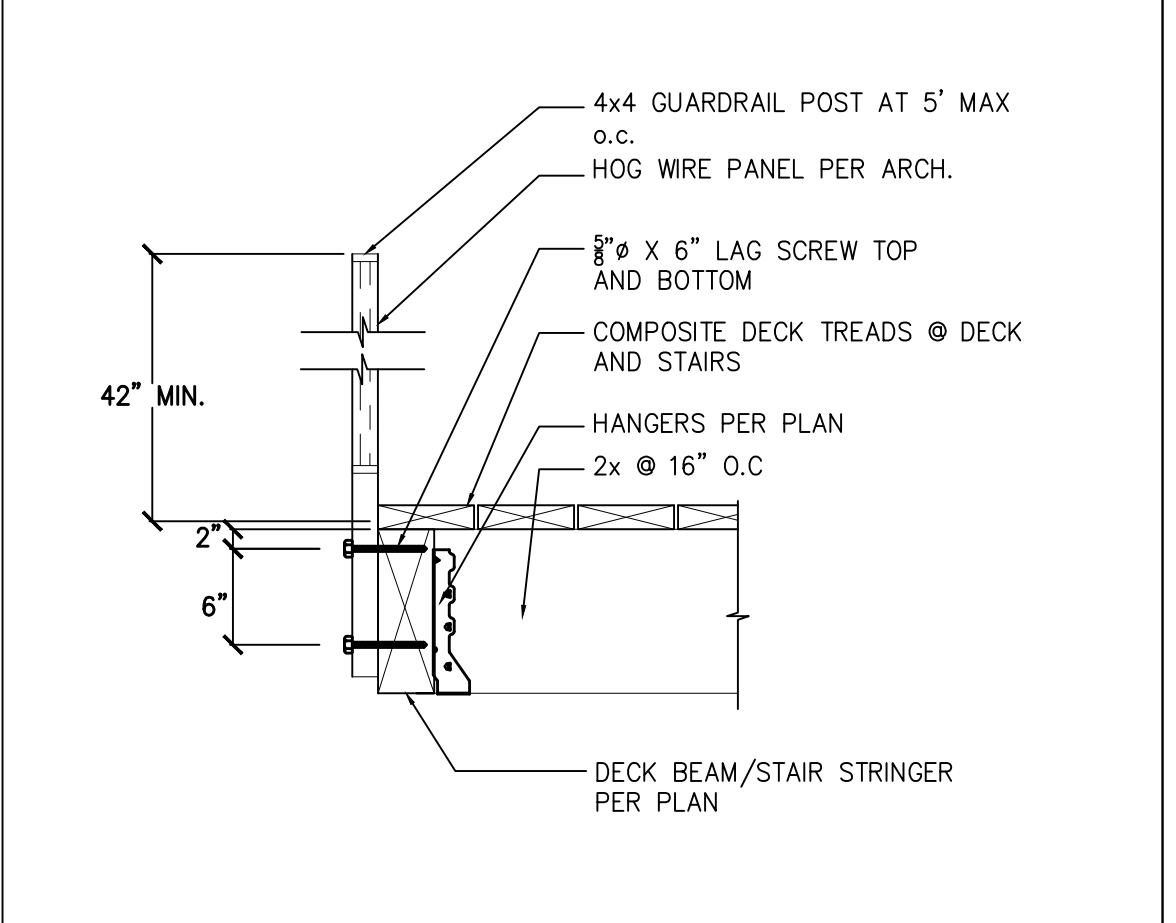
30 RAFTER TO HIP OR VALLEY SCALE: 1"=1'-0"



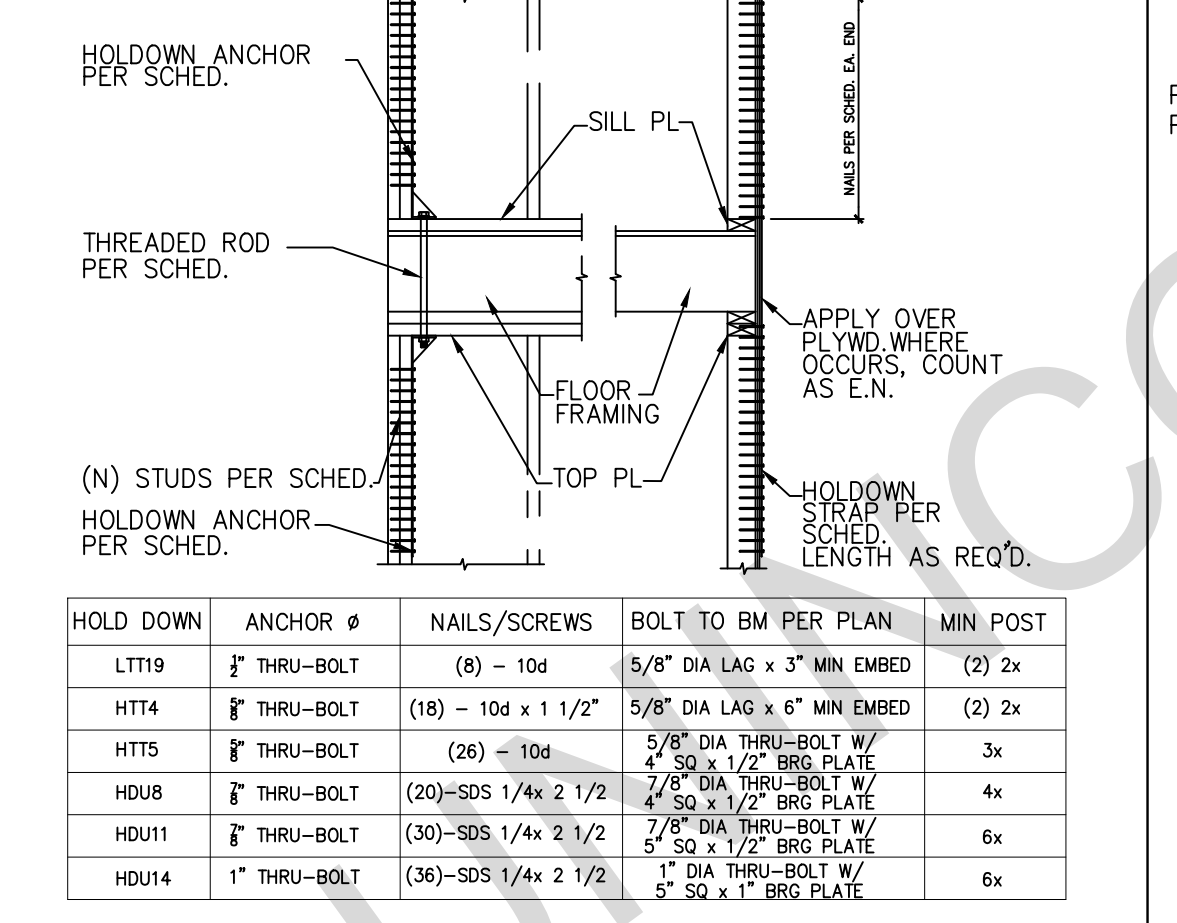
26 ROOF TRANSITION @ WALL/BREAM SCALE: 1"=1'-0"



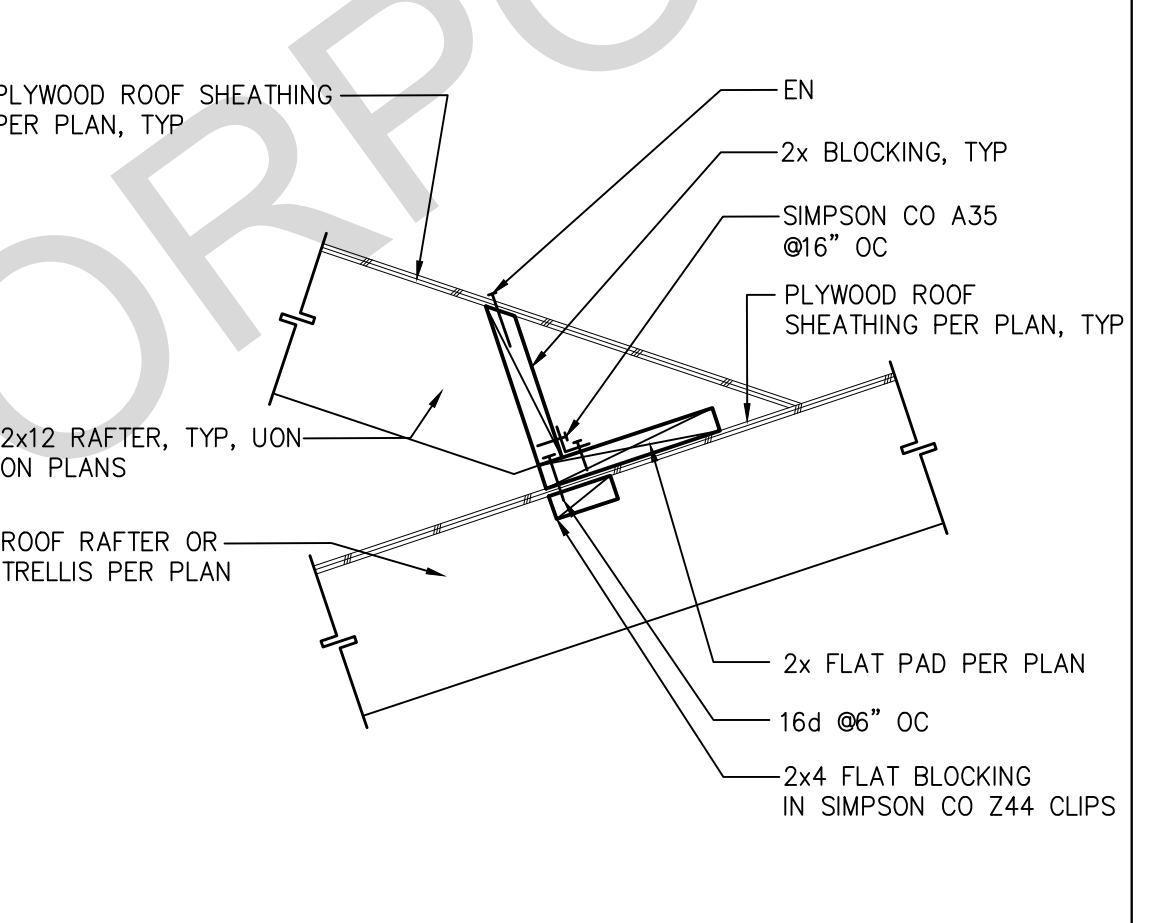
22 PARALLEL RAFTERS AT SHEAR WALL SCALE: 1"=1'-0"



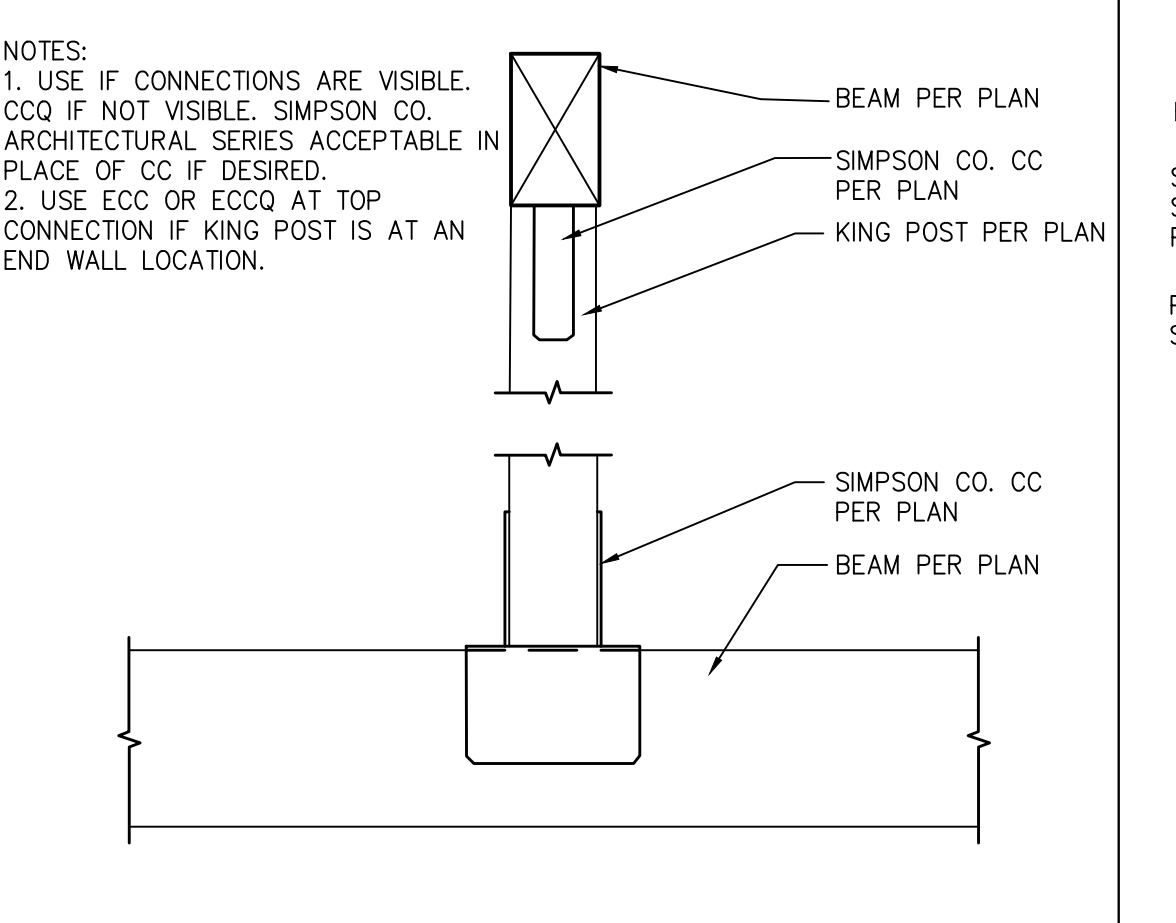
39 GAURDRAIL CONNECTION SCALE: 1"=1'-0"



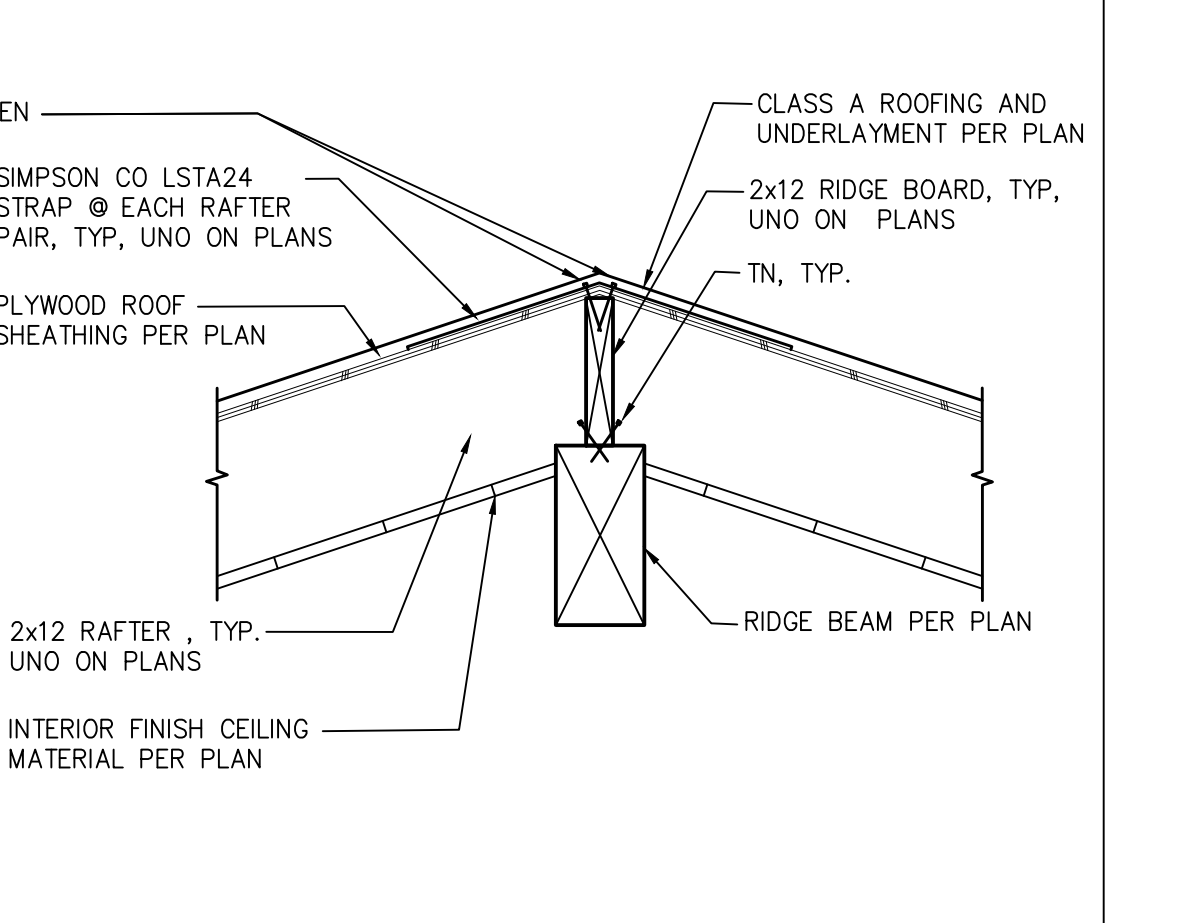
35 FLOOR TO FLOOR HOLD DOWN STRAP SCALE: 1"=1'-0"



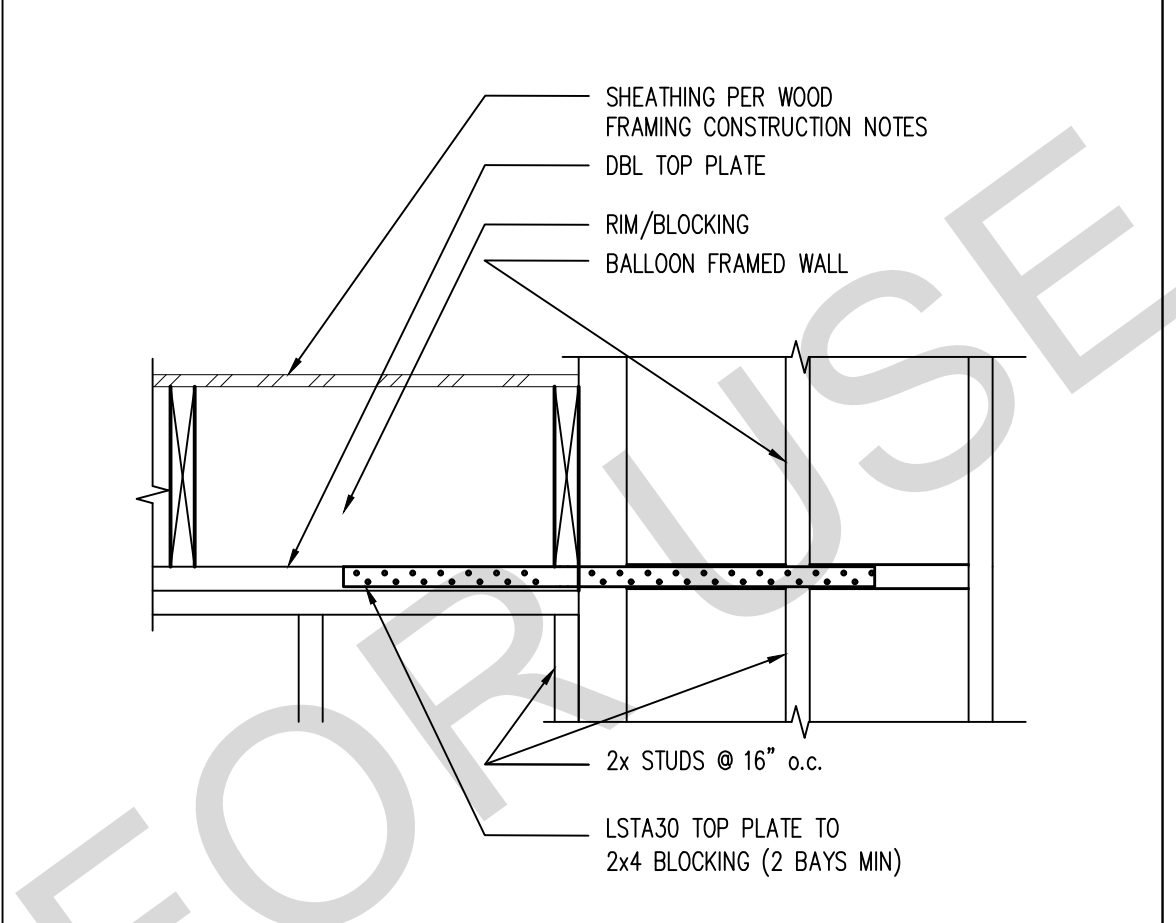
31 CALIFORNIA ROOF FILL CONNECTION SCALE: 1"=1'-0"



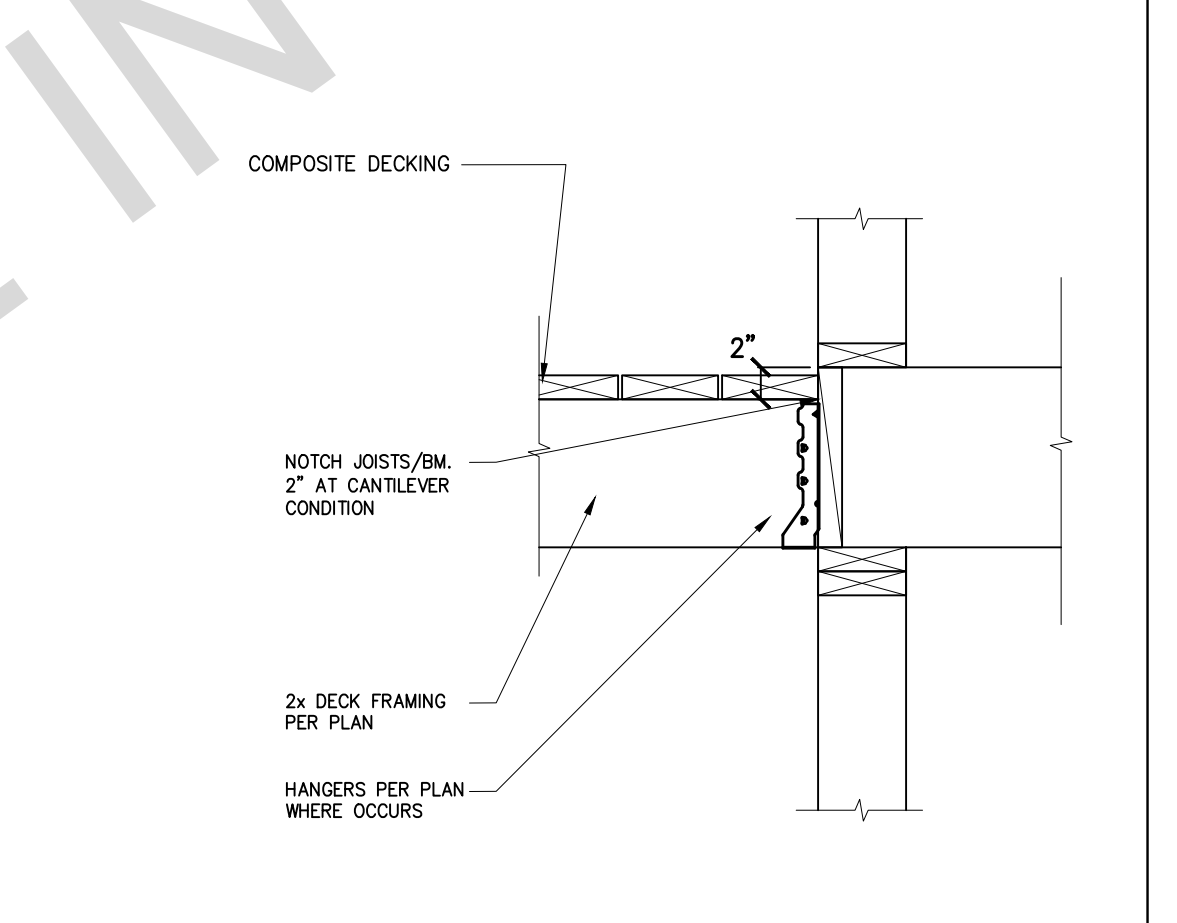
27 KING POST SCALE: 1"=1'-0"



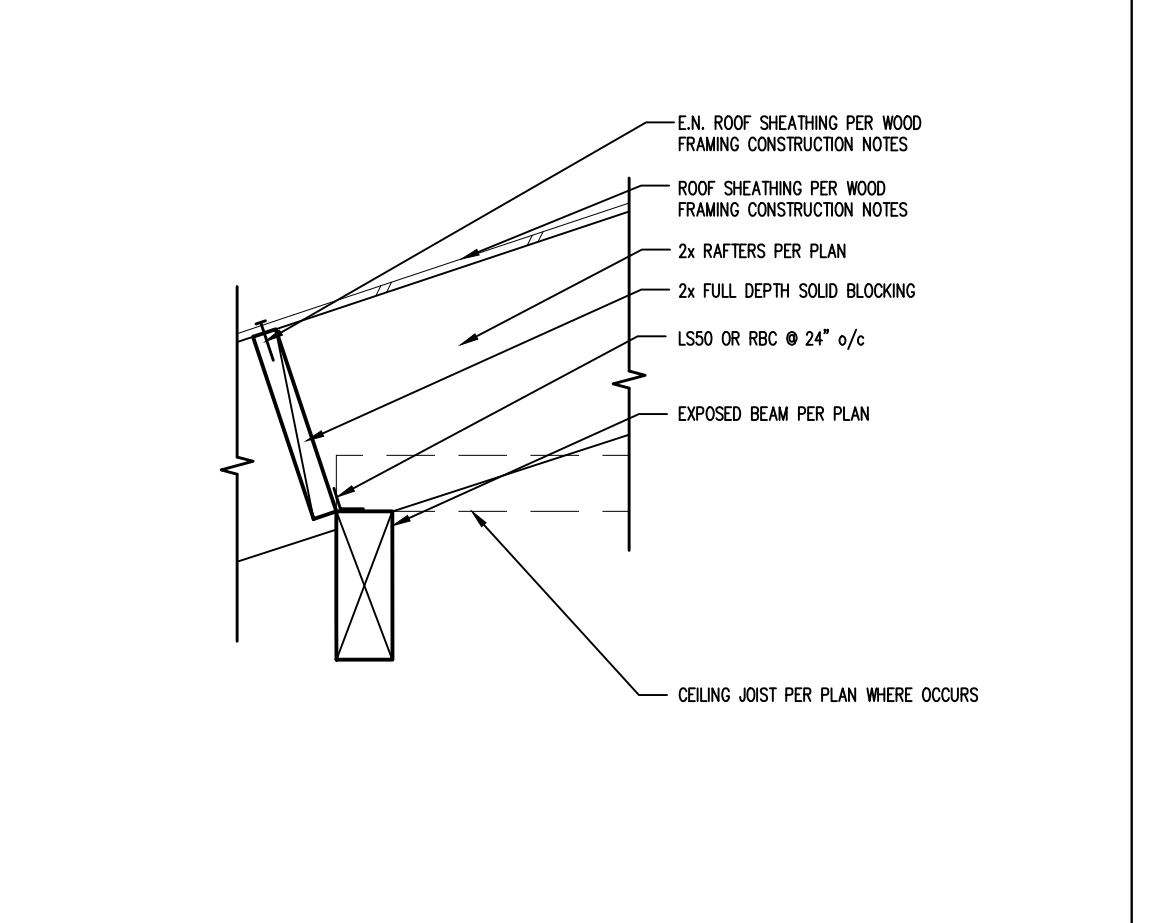
23 RAFTER AT RIDGE BOARD OVER RIDGE BEAM SCALE: 1"=1'-0"



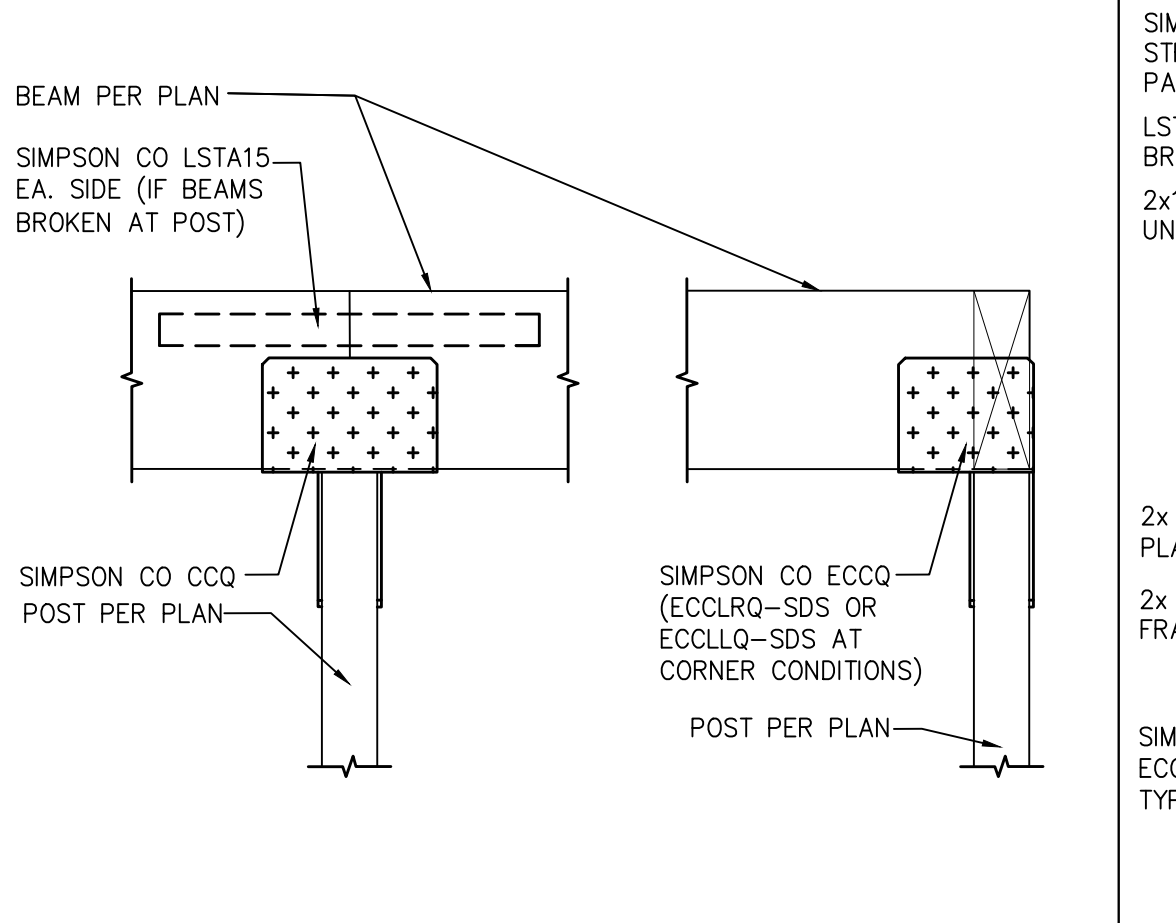
40 STRAP AT TOP PLATE SPLICE SCALE: 1"=1'-0"



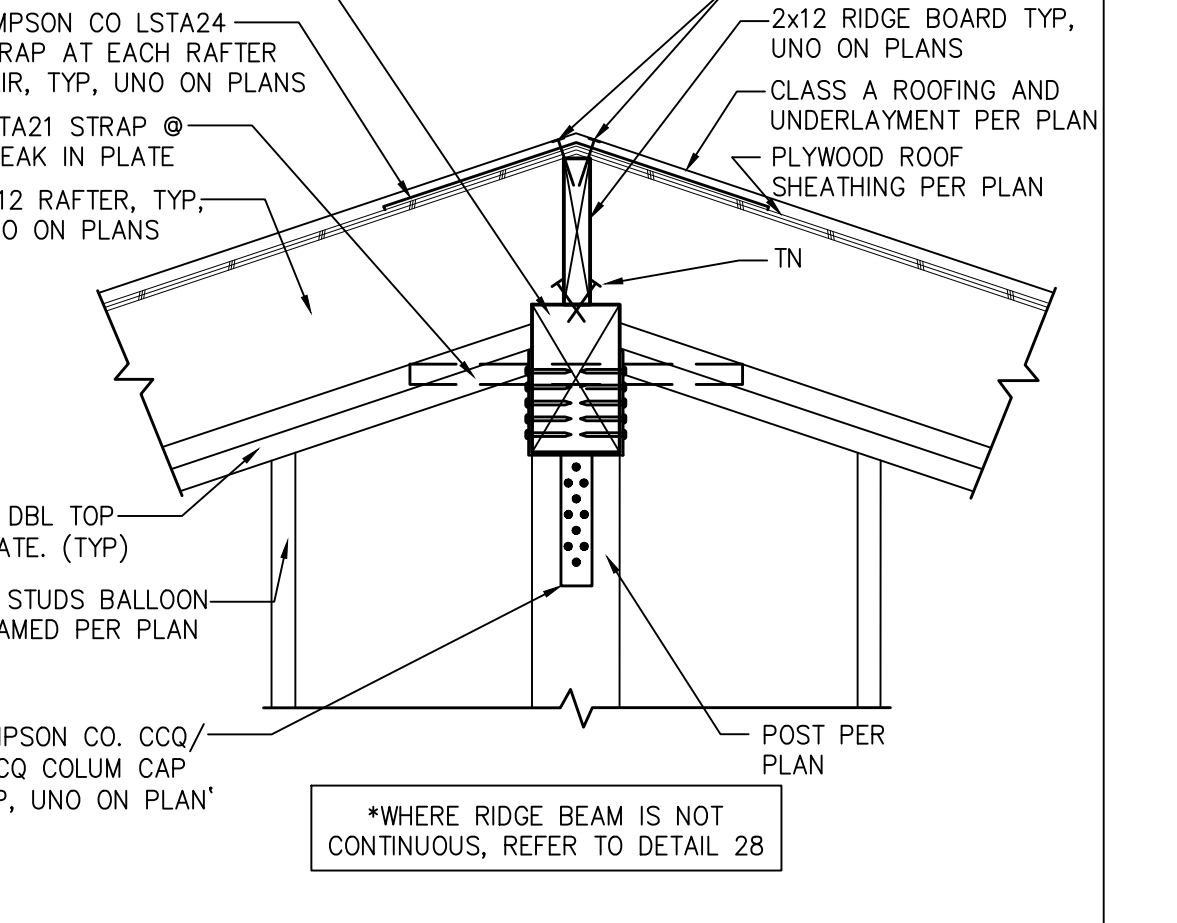
36 FLOOR TO DECK THRESHOLD SCALE: 1"=1'-0"



32 RAFTERS @ EXPOSED BEAM SCALE: 1"=1'-0"



28 POST TO BEAM WITH CCQ/ECCQ SCALE: 1"=1'-0"



24 RIDGE BOARD & BEAM AT WALL POST W/ HARDWARE SCALE: 1"=1'-0"

BY USING THESE PERMIT READY CONSTRUCTION DOCUMENTS, THE RECIPIENT ACKNOWLEDGES, ACCEPTS AND VOLUNTARILY AFFIRMS THE FOLLOWING CONDITIONS:
 1. THE USE OF THIS INFORMATION IS RESTRICTED TO THE ORIGINAL PROJECT FOR WHICH IT WAS PREPARED FOR THE PERMIT READY ACCESSORY DWELLING UNIT (ADU) PROGRAM FOR THE COUNTY OF INYO ONLY. THIS IS A LIMITED SET OF STANDARDIZED ADU PLANS AND SPECIFICATIONS APPROVED BY THE COUNTY OF INYO BUILDING DEPARTMENT. BUILDING CODES DO CHANGE OVER TIME AND RECIPIENT SHALL ENSURE FULL COMPLIANCE UNDER ALL CODES THEN IN EFFECT AT THE TIME OF THE SUBJECT PERMIT. THIS DOES NOT ELIMINATE OR REDUCE THE RECIPIENT'S RESPONSIBILITY TO VERIFY ANY AND ALL INFORMATION RELEVANT TO THE RECIPIENT'S WORK AND RESPONSIBILITY ON THIS PROJECT. DESIGN PATH STUDIO SHALL NOT BE RESPONSIBLE FOR TRANSLATION ERRORS. DO NOT USE THESE CONSTRUCTION DOCUMENTS IF THE PERMIT HAS EXPIRED OR IS REVOKED AT ALL.
 2. THE RECIPIENT RECOGNIZES AND ACKNOWLEDGES THAT THE USE OF THIS INFORMATION WILL BE AT THEIR SOLE RISK AND WITHOUT ANY LIABILITY OR LEGAL EXPOSURE TO DESIGN PATH STUDIO. NO WARRANTIES OF ANY NATURE, WHETHER EXPRESS OR IMPLIED, SHALL ATTACH TO THESE DOCUMENTS AND THE INFORMATION CONTAINED THEREON. ANY USE, REUSE, OR ALTERATION OF THESE DOCUMENTS BY THE RECIPIENT OR BY OTHERS WILL BE AT THE RECIPIENT'S RISK AND FULL LEGAL RESPONSIBILITY. FURTHERMORE, THE RECIPIENT WILL, TO THE FULLEST EXTENT PERMITTED BY LAW, DEFEND, INDEMNIFY AND HOLD DESIGN PATH STUDIO AND ITS ARCHITECTS HARMLESS FROM ANY AND ALL CLAIMS, SUITS, LIABILITY, DEMANDS, JUDGMENTS, OR COSTS ARISING OUT OF OR RESULTING THEREFROM ANY USE OF THESE CONSTRUCTION DOCUMENTS FOR OR ON ACCOUNT OF ANY INJURY, DEATH, DAMAGE OR LOSS TO PERSONS OR PROPERTY, DIRECT OR CONSEQUENTIAL DAMAGES IN ANY AMOUNT. THIS INDEMNITY DOES NOT APPLY TO THE SOLE NEGLIGENCE OR WILLFUL MISCONDUCT OF DESIGN PATH STUDIO OR ITS ARCHITECTS.
 3. THE DESIGNS REPRESENTED BY THESE PLANS ARE COPYRIGHTED AND ARE SUBJECT TO COPYRIGHT PROTECTION.
 4. IF THE RECIPIENT DOES NOT AGREE WITH THE ABOVE CONDITIONS, DO NOT PROCEED WITH CONSTRUCTION OF AN ADU OR OTHER IMPROVEMENT UNDER THESE PLANS AT ALL.

project
 County of Inyo
 Pre-Approved
 ADU/SFD Program

revisions
 ▲
 ▲
 ▲
 ▲
 ▲

description
 Structural
 Details

date 2024

project no. INYO COUNTY ADU/SFDS

drawn by DESIGN PATH STUDIO

sheet no. S6

BUILDING ENERGY ANALYSIS REPORT

PROJECT:
1 Bedroom B 558sf
Inyo County, CA

Project Designer:
Design Path Studio
Encinitas, CA 92024

Report Prepared by:
Design Path Studio

Job Number:

Date:
4/22/2024

The EnergyPro computer program has been used to perform the calculations summarized in this compliance report. This program has approval and is authorized by the California Energy Commission for use with both the Residential and Nonresidential 2022 Building Energy Efficiency Standards. This program developed by EnergySoft, LLC - www.enerpro.com.

CERTIFICATE OF COMPLIANCE - RESIDENTIAL PERFORMANCE COMPLIANCE METHOD

CF1R-PRF-01-E
(Page 1 of 12)

Project Name: 1 Bedroom B
Calculation Date/Time: 2024-04-19T11:44:48-07:00
Input File Name: 1 Bedroom B.r1b22x

GENERAL INFORMATION											
01	Project Name	1 Bedroom B									
02	Run Title	Title 24 Analysis									
03	Project Location										
04	City	Inyo County			05	Standards Version	2022				
06	Zip code				07	Software Version	EnergyPro 9.2				
08	Climate Type	16			09	Front Orientation (deg/ Cardinal)	All orientations				
10	Building Type	Single family			11	Number of Dwelling Units	1				
12	Project Scope	Newly Constructed			13	Number of Bedrooms	1				
14	Addition Cond. Floor Area (ft²)	n/a			15	Number of Stories	1				
16	Existing Cond. Floor Area (ft²)	n/a			17	Fenestration Average U-factor	0.26				
18	Total Cond. Floor Area (ft²)	558			19	Glazing Percentage (%)	23.30%				
20	ADU Bedroom Count	n/a			21	ADU Conditioned Floor Area	n/a				
22	Fuel Type	Natural gas			23	No Dwelling Unit:	No				

COMPLIANCE RESULTS		
01	Building Complies with Computer Performance	
02	This building incorporates features that require field testing and/or verification by a certified HERS rater under the supervision of a CE-approved HERS provider.	
03	This building incorporates one or more Special Features shown below	

Registration Number: 224-P010060251A-000-000-0000000-0000
Registration Date/Time: 2024-04-22 11:20:11
HERS Provider: CalCERTS, Inc.
CA Building Energy Efficiency Standards - 2022 Residential Compliance
Report Version: 2022.0.000
Schema Version: rev 20220901
Report Generated: 2024-04-19 11:45:53

CERTIFICATE OF COMPLIANCE - RESIDENTIAL PERFORMANCE COMPLIANCE METHOD

CF1R-PRF-01-E
(Page 2 of 12)

Project Name: 1 Bedroom B
Calculation Date/Time: 2024-04-19T11:44:48-07:00
Input File Name: 1 Bedroom B.r1b22x

ENERGY DESIGN RATINGS						
	Energy Design Ratings			Compliance Margins		
	Source Energy (EDR1)	Efficiency ¹ EDR (EDR2Efficiency)	Total ² EDR (EDR2Total)	Source Energy (EDR1)	Efficiency ¹ EDR (EDR2Efficiency)	Total ² EDR (EDR2Total)
Standard Design	46.3	63.4	46.2			
Proposed Design						
North Facing	37.1	61.9	45.3	9.2	1.5	0.9
East Facing	37.3	62.2	45.5	9	1.2	0.7
South Facing	36.4	59.1	44.1	9.9	4.3	2.1
West Facing	36.3	58.8	43.9	10	4.6	2.3

RESULT: PASS

¹Efficiency EDR includes improvements like a better building envelope and more efficient equipment.
²Total EDR includes efficiency and demand response measures such as photovoltaic (PV) systems and batteries.
* Building complies when source energy, efficiency and total compliance margins are greater than or equal to zero and unmet load four limits are not exceeded.
• Standard Design PV Capacity: 1.60 kWdc
• Proposed PV Capacity Scaling: North (1.60 kWdc) East (1.60 kWdc) South (1.60 kWdc) West (1.60 kWdc)

Registration Number: 224-P010060251A-000-000-0000000-0000
Registration Date/Time: 2024-04-22 11:20:11
HERS Provider: CalCERTS, Inc.
CA Building Energy Efficiency Standards - 2022 Residential Compliance
Report Version: 2022.0.000
Schema Version: rev 20220901
Report Generated: 2024-04-19 11:45:53

CERTIFICATE OF COMPLIANCE - RESIDENTIAL PERFORMANCE COMPLIANCE METHOD

CF1R-PRF-01-E
(Page 5 of 12)

Project Name: 1 Bedroom B
Calculation Date/Time: 2024-04-19T11:44:48-07:00
Input File Name: 1 Bedroom B.r1b22x

ENERGY USE INTENSITY				
	Standard Design (kBtu/ft² - yr)	Proposed Design (kBtu/ft² - yr)	Compliance Margin (kBtu/ft² - yr)	Margin Percentage
North Facing				
Gross EUt ¹	40.63	33	7.63	18.78
Net EUt ²	24.73	17.09	7.64	30.89
East Facing				
Gross EUt ¹	40.63	32.98	7.65	18.83
Net EUt ²	24.73	17.08	7.65	30.93
South Facing				
Gross EUt ¹	40.63	32.26	8.37	20.6
Net EUt ²	24.73	16.35	8.38	33.89
West Facing				
Gross EUt ¹	40.63	32.33	8.3	20.43
Net EUt ²	24.73	16.43	8.3	33.56

Notes
1. Gross EUt is Energy Use Total (not including PV) / Total Building Area.
2. Net EUt is Energy Use Total (including PV) / Total Building Area.

Registration Number: 224-P010060251A-000-000-0000000-0000
Registration Date/Time: 2024-04-22 11:20:11
HERS Provider: CalCERTS, Inc.
CA Building Energy Efficiency Standards - 2022 Residential Compliance
Report Version: 2022.0.000
Schema Version: rev 20220901
Report Generated: 2024-04-19 11:45:53

CERTIFICATE OF COMPLIANCE - RESIDENTIAL PERFORMANCE COMPLIANCE METHOD

CF1R-PRF-01-E
(Page 8 of 12)

Project Name: 1 Bedroom B
Calculation Date/Time: 2024-04-19T11:44:48-07:00
Input File Name: 1 Bedroom B.r1b22x

FENESTRATION / GLAZING													
01	02	03	04	05	06	07	08	09	10	11	12	13	14
Name	Type	Surface	Orientation	Asimuth	Width (ft)	Height (ft)	Mult.	Area (ft²)	U-factor	U-factor Source	SHGC	SHGC Source	Exterior Shading
Window A	Window	Left Wall	Left	90	1	10.5	0.26	NFRC	0.43	NFRC			Bug Screen
Window B	Window	Left Wall	Left	90	1	3	0.26	NFRC	0.43	NFRC			Bug Screen
Window C	Window	Rear Wall	Back	180	1	4.5	0.26	NFRC	0.43	NFRC			Bug Screen
Window D	Window	Rear Wall	Back	180	1	1.8	0.26	NFRC	0.43	NFRC			Bug Screen
Window E 3	Window	Right Wall	Right	270	1	1.4	0.26	NFRC	0.43	NFRC			Bug Screen
Window D 2	Window	Right Wall	Right	270	1	1.8	0.26	NFRC	0.43	NFRC			Bug Screen
Window E 4	Window	Right Wall	Right	270	1	1.4	0.26	NFRC	0.43	NFRC			Bug Screen

SLAB FLOORS							
01	02	03	04	05	06	07	08
Name	Zone	Area (ft²)	Perimeter (ft)	Edge Insul. R-value and Depth	Interior/ Exterior Continuous R-value	Carpeted Fraction	Heated
Slab-on-Grade	1 Bedroom B Unit	558	94	R-5	8	80%	No

OPaque SURFACE CONSTRUCTIONS													
01	02	03	04	05	06	07	08						
Construction Name	Surface Type	Construction Type	Framing	Total Cavity	Interior/ Exterior Continuous R-value	U-factor	Assembly Layers						
Window E	Window	Front Wall	Front	0									
Door 1	Window	Front Wall	Front	0									
Window E 2	Window	Front Wall	Front	0									

Registration Number: 224-P010060251A-000-000-0000000-0000
Registration Date/Time: 2024-04-22 11:20:11
HERS Provider: CalCERTS, Inc.
CA Building Energy Efficiency Standards - 2022 Residential Compliance
Report Version: 2022.0.000
Schema Version: rev 20220901
Report Generated: 2024-04-19 11:45:53

CERTIFICATE OF COMPLIANCE - RESIDENTIAL PERFORMANCE COMPLIANCE METHOD

CF1R-PRF-01-E
(Page 3 of 12)

Project Name: 1 Bedroom B
Calculation Date/Time: 2024-04-19T11:44:48-07:00
Input File Name: 1 Bedroom B.r1b22x

ENERGY USE SUMMARY							
Energy Use	Standard Design Source Energy (EDR1) (kBtu/ft² - yr)	Standard Design TDV Energy (EDR2) (kTDO/ft² - yr)	Proposed Design Source Energy (EDR1) (kBtu/ft² - yr)	Proposed Design TDV Energy (EDR2) (kTDO/ft² - yr)	Compliance Margin (EDR1)	Compliance Margin (EDR2)	
Space Heating	10.63	48.25	6.97	75.06	3.66	-26.81	
Space Cooling	0.57	6.84	0.3	3.29	0.27	3.55	
IAQ Ventilation	0.44	4.75	0.44	4.75	0	0	
Water Heating	4.94	61.62	2.95	35.5	1.99	26.12	
Self Utilization/Flexibility Credit				0		0	
North Facing Efficiency Compliance Total	16.58	121.46	10.66	118.6	5.92	2.86	
Space Heating	10.63	48.25	7.14	76.13	3.49	-27.88	
Space Cooling	0.57	6.84	0.23	2.82	0.34	4.02	
IAQ Ventilation	0.44	4.75	0.44	4.75	0	0	
Water Heating	4.94	61.62	2.96	35.51	1.98	26.11	
Self Utilization/Flexibility Credit				0		0	
East Facing Efficiency Compliance Total	16.58	121.46	10.77	119.21	5.81	2.25	

Registration Number: 224-P010060251A-000-000-0000000-0000
Registration Date/Time: 2024-04-22 11:20:11
HERS Provider: CalCERTS, Inc.
CA Building Energy Efficiency Standards - 2022 Residential Compliance
Report Version: 2022.0.000
Schema Version: rev 20220901
Report Generated: 2024-04-19 11:45:53

CERTIFICATE OF COMPLIANCE - RESIDENTIAL PERFORMANCE COMPLIANCE METHOD

CF1R-PRF-01-E
(Page 7 of 12)

Project Name: 1 Bedroom B
Calculation Date/Time: 2024-04-19T11:44:48-07:00
Input File Name: 1 Bedroom B.r1b22x

REQUIRED PV SYSTEMS											
01	02	03	04	05	06	07	08	09	10	11	12
DC System Size (kWdc)	Exception	Module Type	Array Type	Power Electronics	CFI	Asimuth (deg)	Tilt Input	Array Angle (deg)	Tilt: (x in 12)	Inverter Eff. (%)	Annual Solar Access (%)
1.6	NA	Standard (14-17N)	Fixed	none	true	150-270	n/a	n/a	<=7-12	96	98

REQUIRED SPECIAL FEATURES											
The following are features that must be installed as condition for meeting the modeled energy performance for this computer analysis. • Insulation below roof deck • Variable capacity heat pump compliance option (verification details from VCHP Staff report, Appendix B, and R43) • Slab Edge Insulation • Northwest Energy Efficiency Alliance (NEEA) rated heat pump water heater, specific brand/model, or equivalent, must be installed											

HERS FEATURE SUMMARY											
The following is a summary of the features that must be field-verified by a certified HERS Rater as a condition for meeting the modeled energy performance for this computer analysis. Additional detail is provided in the building tables below. Registered CF2Rs and CE3Rs are required to be completed in the HERS Registry. • Quality Insulation Installation (QII) • Indoor air quality ventilation • Kitchen range hood • Verified Refrigerant Charge • Airflow in habitable rooms (SC3.1.4.1.7) • Verified HSPF • Verified heat pump rated heating capacity • Wall mounted thermostat (t) zones greater than 150 R2 (SC3.4.5) • Ductless indoor units located entirely in conditioned space (SC3.1.4.1.8)											

BUILDING - FEATURES INFORMATION						
01	02	03	04	05	06	07
Project Name	Conditioned Floor Area (ft²)	Number of Dwelling Units	Number of Bedrooms	Number of Zones	Number of Ventilation Cooling Systems	Number of Water Heating Systems
1 Bedroom B	558	1	1	1	0	1

Registration Number: 224-P010060251A-000-000-0000000-0000
Registration Date/Time: 2024-04-22 11:20:11
HERS Provider: CalCERTS, Inc.
CA Building Energy Efficiency Standards - 2022 Residential Compliance
Report Version: 2022.0.000
Schema Version: rev 20220901
Report Generated: 2024-04-19 11:45:53

CERTIFICATE OF COMPLIANCE - RESIDENTIAL PERFORMANCE COMPLIANCE METHOD

CF1R-PRF-01-E
(Page 7 of 12)

Project Name: 1 Bedroom B
Calculation Date/Time: 2024-04-19T11:44:48-07:00
Input File Name: 1 Bedroom B.r1b22x

ZONE INFORMATION						
01	02	03	04	05	06	07
Zone Name	Zone Type	HVAC System Name	Zone Floor Area (ft²)	Avg. Ceiling Height	Water Heating System 1	Status
1 Bedroom B Unit	Conditioned	Ductless MiniSplit1	558	8	DHW Sys 1	New

OPaque SURFACES							
01	02	03	04	05	06	07	08
Name	Zone	Construction	Asimuth	Orientation	Gross Area (ft²)	Window and Door Area (ft²)	Tilt (deg)
Front Wall	1 Bedroom B Unit	R-21 Wall	0	Front	156	48	90
Left Wall	1 Bedroom B Unit	R-21 Wall	90	Left	220	13.5	90
Rear Wall	1 Bedroom B Unit	R-21 Wall	180	Back	156	22.5	90
Right Wall	1 Bedroom B Unit	R-21 Wall	270	Right	220	46	90
Roof	1 Bedroom B Unit	R-38 HP Attic	n/a	n/a	558	n/a	n/a

ATTIC							
01	02	03	04	05	06	07	08
Name	Construction	Type	Roof Rise (x in 12)	Roof Reflectance	Roof Emittance	Radiant Barrier	Cool Roof
Attic: 1 Bedroom B Unit	Attic Roof: Bedroom B Unit	Ventilated	4	0.1	0.85	No	No

FENESTRATION / GLAZING													
01	02	03	04	05	06	07	08	09	10	11	12	13	14
Name	Type	Surface	Orientation	Asimuth	Width (ft)	Height (ft)	Mult.	Area (ft²)	U-factor	U-factor Source	SHGC	SHGC Source	Exterior Shading
Window E	Window	Front Wall	Front	0	1	14	0.26	NFRC	0.43	NFRC			Bug Screen
Door 1	Window	Front Wall	Front	0	1	20	0.26	NFRC	0.43	NFRC			Bug Screen
Window E 2	Window	Front Wall	Front	0	1	14	0.26	NFRC	0.43	NFRC			Bug Screen

Registration Number: 224-P010060251A-000-000-0000000-0000
Registration Date/Time: 2024-04-22 11:20:11
HERS Provider: CalCERTS, Inc.
CA Building Energy Efficiency Standards - 2022 Residential Compliance
Report Version: 2022.0.000
Schema Version: rev 20220901
Report Generated: 2024-04-19 11:45:53

BY USING THESE PERMIT READY CONSTRUCTION DOCUMENTS, THE RECIPIENT ACKNOWLEDGES, ACCEPTS AND VOLUNTARILY AFFIRMS THE FOLLOWING CONDITIONS:
1. THE USE OF THIS INFORMATION IS RESTRICTED TO THE ORIGINAL PROJECT FOR WHICH IT WAS PREPARED FOR THE PERMIT READY ACCESSORY DWELLING UNIT (ADU) PROGRAM FOR THE COUNTY OF INYO ONLY. THIS IS A LIMITED SET OF STANDARDIZED ADU PLANS AND SPECIFICATIONS APPROVED BY THE COUNTY OF INYO BUILDING DEPARTMENT, BUILDING CODES DO CHANGE OVER TIME AND RECIPIENT SHALL ENSURE FULL COMPLIANCE UNDER ALL CODES THEN IN EFFECT AT THE TIME OF THE SUBJECT PERMIT. THIS DOES NOT ELIMINATE OR REDUCE THE RECIPIENT'S RESPONSIBILITY TO VERIFY ANY AND ALL INFORMATION RELEVANT TO THE RECIPIENT'S WORK AND RESPONSIBILITY ON THIS PROJECT. DESIGN PATH STUDIO SHALL NOT BE RESPONSIBLE FOR TRANSLATION ERRORS; DO NOT USE THESE CONSTRUCTION DOCUMENTS IF THE PERMIT HAS EXPIRED OR IS REVOKED AT ALL.
2. THE RECIPIENT RECOGNIZES AND ACKNOWLEDGES THAT THE USE OF THIS INFORMATION WILL BE AT THEIR SOLE RISK AND WITHOUT ANY LIABILITY OR LEGAL EXPOSURE TO DESIGN PATH STUDIO. NO WARRANTIES OF ANY NATURE, WHETHER EXPRESS OR IMPLIED, SHALL ATTACH TO THESE DOCUMENTS AND THE INFORMATION CONTAINED THEREON. ANY USE, REUSE, OR ALTERATION OF THESE DOCUMENTS BY THE RECIPIENT OR BY OTHERS WILL BE AT THE RECIPIENT'S RISK AND FULL LEGAL RESPONSIBILITY. FURTHERMORE, THE RECIPIENT WILL, TO THE FULLEST EXTENT PERMITTED BY LAW, DEFEND, INDEMNIFY AND HOLD DESIGN PATH STUDIO AND ITS ARCHITECTS HARMLESS FROM ANY AND ALL CLAIMS, SUITS, LIABILITY, DEMANDS, JUDGMENTS, OR COSTS ARISING OUT OF OR RESULTING THEREFROM ANY USE OF THESE CONSTRUCTION DOCUMENTS FOR OR ON ACCOUNT OF ANY INJURY, DEATH, DAMAGE OR LOSS TO PERSONS OR PROPERTY, DIRECT OR CONSEQUENTIAL DAMAGES IN ANY AMOUNT. THIS INDEMNITY DOES NOT APPLY TO THE SOLE NEGLIGENCE OR WILLFUL MISCONDUCT OF DESIGN PATH STUDIO OR ITS ARCHITECTS.
3. THE DESIGNS REPRESENTED BY THESE PLANS ARE COPYRIGHTED AND ARE SUBJECT TO COPYRIGHT PROTECTION.
4. IF THE RECIPIENT DOES NOT AGREE WITH THE ABOVE CONDITIONS, DO NOT PROCEED WITH CONSTRUCTION OF AN ADU OR OTHER IMPROVEMENT UNDER THESE PLANS AT ALL.

project
County of Inyo
Pre-Approved
ADU/SFD Program

revisions
△
△
△
△
△

description
Energy Calculations Bishop

date 2024

project no. INYO COUNTY ADU/SFDs

drawn by DESIGN PATH STUDIO

sheet no. T24.1

CERTIFICATE OF COMPLIANCE - RESIDENTIAL PERFORMANCE COMPLIANCE METHOD

Project Name: 1 Bedroom B
Calculation Description: Title 24 Analysis
Input File Name: 1 Bedroom B.rhb22z

CF1R-PRF-01-E
(Page 9 of 12)

01	02	03	04	05	06	07	08
Construction Name	Surface Type	Construction Type	Framing	Total R-value	Interior / Exterior Continuous R-value	U-factor	Assembly Layers
Attic Roof/ Bedroom B Unit	Attic Roofs	Wood Framed Ceiling	2x4 @ 24 in. O. C.	R-19	None / 0	0.059	Roofing: Light Roof (Asphalt Shingle) Roof Deck: Wood Siding/shathing/decking Cavity / Frame: R-13.0 / 2x4 Around Roof Joists: R-6.0 Insul.
R-38 HP Attic	Collings (below attic)	Wood Framed Ceiling	2x4 @ 24 in. O. C.	R-38	None / None	0.025	Over Ceiling Joists: R-28.9 Insul. Cavity / Frame: R-9.1 / 2x4 Inside Finish: gypsum board

01	02	03	04	05
Quality Insulation Installation (QII) Required	High R-value Spray Foam Insulation	Building Envelope Air Leakage	CFM50	CFM50
	Not required	N/A	n/a	n/a

01	02	03	04	05	06	07	08	09
Name	System Type	Distribution Type	Water Heater Name	Number of Units	Solar Heating System	Compact Distribution	HERS Verification	Water Heater Name (H)
DHW Sys 1	Domestic Hot Water (DHW)	Standard	DHW Heater 1	1	n/a	None	n/a	DHW Heater 1 (1)

Registration Number: 224-P01050251A-000-0000000-000

Registration Date/Time: 2024-04-22 11:20:11

HERS Provider: CaCERTS Inc.

CA Building Energy Efficiency Standards - 2022 Residential Compliance

Report Version: 2022.0.000
Schema Version: rev 20220901

Report Generated: 2024-04-19 11:45:53

CERTIFICATE OF COMPLIANCE - RESIDENTIAL PERFORMANCE COMPLIANCE METHOD

Project Name: 1 Bedroom B
Calculation Description: Title 24 Analysis
Input File Name: 1 Bedroom B.rhb22z

CF1R-PRF-01-E
(Page 12 of 12)

DOCUMENTATION AUTHOR'S DECLARATION STATEMENT

I, certify that this Certificate of Compliance documentation is accurate and complete.

Documentation Author Name: Yvonne St Pierre
Signature Date: 2024-04-22 11:20:11
Signature: [Signature]

Company: Design Path Studio
Address: PO Box 230165
Encinitas, CA 92023
Phone: 619-292-8807

RESPONSIBLE PERSON'S DECLARATION STATEMENT

- I am eligible under Division 3 of the Business and Professions Code to accept responsibility for the building design identified on this Certificate of Compliance.
- I certify that the energy features and performance specifications identified on this Certificate of Compliance conform to the requirements of Title 24, Part 1 and Part 6 of the California Code of Regulations.
- The building design features or system design features identified on this Certificate of Compliance are consistent with the information provided on other applicable compliance documents, worksheets, calculations, plans and specifications submitted to the enforcement agency for approval with this building permit application.

Responsible Designer Name: Yvonne St Pierre
Signature Date: 2024-04-22 11:20:11
Signature: [Signature]

Company: Design Path Studio
Address: PO Box 230165
Encinitas, CA 92023
Phone: 619-292-8807

Digitally signed by CaCERTS. This digital signature is provided in order to assure the content of this registered document, and in no way implies Registration Provider responsibility for the accuracy of the information.

Registration Number: 224-P01050251A-000-0000000-000

Registration Date/Time: 2024-04-22 11:20:11

HERS Provider: CaCERTS Inc.

CA Building Energy Efficiency Standards - 2022 Residential Compliance

Report Version: 2022.0.000
Schema Version: rev 20220901

Report Generated: 2024-04-19 11:45:53

2022 Single-Family Residential Mandatory Requirements Summary

- 115.01.01 Pilot Lights:** Continuously burning pilot lights are prohibited for natural gas, fan-type central furnaces, household cooling appliances (except electric), and on-demand supply voltage controller with pilot light that consumes less than 100 Btu per hour.
- 115.01.02 Building Cooling and Heating Loads:** Heating and/or cooling loads must be calculated in accordance with the ASHRAE Handbook, Fundamentals, Applications Manual, and Fundamentals, Volume 1: SMACNA Residential Comfort System Installation Standards Manual or the ASHRAE Handbook, Fundamentals, Volume 1: SMACNA Residential Comfort System Installation Standards Manual.
- 115.01.03 Clearance, or condenser and heat pump outdoor condensing units:** must have a clearance of at least 6 feet from the outside of any other.
- 115.01.04 Water Filtration:** Air conditioners and heat pump systems must be equipped with liquid filter devices if required, as specified by the manufacturer's instructions.
- 115.01.05 Water Filtration, Solar Water-Heating System Piping, and Space Conditioning System Line Installation:** All domestic hot water piping must be installed as specified in 68011 of the California Plumbing Code.
- 115.01.06 Insulation Protection:** Piping insulation must be protected from damage, including but not limited to sunlight, moisture, equipment maintenance, and wind as required by 150.300. Insulation exposed to weather must be water resistant and protected from UV light (the adhesive tapes, insulation covering other wires and refrigerant service piping located outside the conditioned space must include, or be protected by, a Class I or Class II vapor retarder. Piping insulation buried below grade must be installed in a waterproofed and backfilled trench).
- 115.01.07 Gas or Propane Water Heating Systems:** Systems using gas or propane water heaters (before individual dwelling units must measure gas or propane at least 2.5' x 2' outside the house installation of a hot water heater, and must include and plumbing requirements, based on the distance between the designated space and the water heater location, and a condensation drip pan 2" higher than the base of the water heater).
- 115.01.08 Solar Water-Heating Systems:** Solar water-heating systems and collectors must be certified and rated by the Solar Rating and Certification Corporation (SRCC), the International Association of Plumbing and Mechanical Officials (IAPMO), and tested per ASHRAE 90.1-2005, or by a testing agency that is approved by the executive director.
- 115.01.09 Health and Safety:**
 - 115.01.09.01:** Insulation installed on an existing space conditioning duct must comply with 68014 of the California Mechanical Code (CMC). If the contractor replaces the insulation, he or she must also comply with 68011 of the California Mechanical Code (CMC).
 - 115.01.09.02:** CMC Compliance: All ducts must be installed in accordance with CMC 68011, 68012, 68013, 68014, 68015, 68016, 68017, 68018, 68019, 68020, 68021, 68022, 68023, 68024, 68025, 68026, 68027, 68028, 68029, 68030, 68031, 68032, 68033, 68034, 68035, 68036, 68037, 68038, 68039, 68040, 68041, 68042, 68043, 68044, 68045, 68046, 68047, 68048, 68049, 68050, 68051, 68052, 68053, 68054, 68055, 68056, 68057, 68058, 68059, 68060, 68061, 68062, 68063, 68064, 68065, 68066, 68067, 68068, 68069, 68070, 68071, 68072, 68073, 68074, 68075, 68076, 68077, 68078, 68079, 68080, 68081, 68082, 68083, 68084, 68085, 68086, 68087, 68088, 68089, 68090, 68091, 68092, 68093, 68094, 68095, 68096, 68097, 68098, 68099, 68100.
 - 115.01.09.03:** Ducts for air conditioning systems that are not designed for use in unconditioned spaces must be installed in unconditioned spaces.
 - 115.01.09.04:** Ducts for air conditioning systems that are not designed for use in unconditioned spaces must be installed in unconditioned spaces.
 - 115.01.09.05:** Ducts for air conditioning systems that are not designed for use in unconditioned spaces must be installed in unconditioned spaces.
 - 115.01.09.06:** Ducts for air conditioning systems that are not designed for use in unconditioned spaces must be installed in unconditioned spaces.
 - 115.01.09.07:** Ducts for air conditioning systems that are not designed for use in unconditioned spaces must be installed in unconditioned spaces.
 - 115.01.09.08:** Ducts for air conditioning systems that are not designed for use in unconditioned spaces must be installed in unconditioned spaces.
 - 115.01.09.09:** Ducts for air conditioning systems that are not designed for use in unconditioned spaces must be installed in unconditioned spaces.
 - 115.01.09.10:** Ducts for air conditioning systems that are not designed for use in unconditioned spaces must be installed in unconditioned spaces.
 - 115.01.09.11:** Ducts for air conditioning systems that are not designed for use in unconditioned spaces must be installed in unconditioned spaces.
 - 115.01.09.12:** Ducts for air conditioning systems that are not designed for use in unconditioned spaces must be installed in unconditioned spaces.

CERTIFICATE OF COMPLIANCE - RESIDENTIAL PERFORMANCE COMPLIANCE METHOD

Project Name: 1 Bedroom B
Calculation Description: Title 24 Analysis
Input File Name: 1 Bedroom B.rhb22z

CF1R-PRF-01-E
(Page 10 of 12)

01	02	03	04	05	06	07	08
Name	# of Units	Tank Vol. (gal)	NEEA Heat Pump Brand	NEEA Heat Pump Model	Tank Location	Duct Inlet Air Source	Duct Outlet Air Source
DHW Heater 1	1	40	Rheem	PROPH40 T2 RH7350 (40 gal, JAL3)	Outside	1 Bedroom B Unit	1 Bedroom B Unit

01	02	03	04	05	06	07
Name	Pipe Insulation	Parallel Piping	Compact Distribution	Compact Distribution Type	Recirculation Control	Shower Drain Water Heat Recovery
DHW Sys 1 - 1/1	Not Required	Not Required	Not Required	None	Not Required	Not Required

01	02	03	04	05	06	07	08	09
Name	System Type	Heating Unit Name	Heating Equipment Count	Cooling Unit Name	Cooling Equipment Count	Fan Name	Distribution Name	Required Thermostat Type
Ductless MiniSplit	Heat pump heating cooling	Heat Pump System 1	1	Heat Pump System 1	1	n/a	n/a	Setback

01	02	03	04	05	06	07	08	09	10	11	12	13
Name	System Type	Number of Units	Heating Efficiency Type	HSPF/HSPF2/CFP2	Cap 47	Cap 17	Cooling Efficiency Type	SEER/SEER2/CEER	SEER/SEER2/CEER	Locally Controlled	Compressor Type	HERS Verification
Heat Pump System 1	VCHP-Ductless	1	HSPF	9.5	24000	22000	ERSEER	14	11.7	Not Zonal	Single Speed	Heat Pump System 1-Hers HSPump

Registration Number: 224-P01050251A-000-0000000-000

Registration Date/Time: 2024-04-22 11:20:11

HERS Provider: CaCERTS Inc.

CA Building Energy Efficiency Standards - 2022 Residential Compliance

Report Version: 2022.0.000
Schema Version: rev 20220901

Report Generated: 2024-04-19 13:45:53

RESIDENTIAL MEASURES SUMMARY

Project Name	Building Type	Single Family	Additional Area	Area	4/22/2024	# of Units
1 Bedroom B	Single Family	1	0	1,100	4/22/2024	1

INSULATION	Construction Type	Cavity (ft²)	R-Value	Special Features	Status
Attic	Wood Framed	R-20	602		New
Roof	Wood Framed	R-19	588	Attic-R-19.0	New
Slab	Unfinished Slab-on-Grade	R-5	150	Perim - R-5	New

FENESTRATION	Orientation Area (ft²)	Total Area	SHGC	U-Factor	Overhang	Shading	External Shades	Status
West	64.0	64.0	0.25	0.35				New
East	12.5	12.5	0.25	0.35				New
North	22.0	22.0	0.25	0.35				New
South	66.5	66.5	0.25	0.35				New

HVAC SYSTEMS	City	Heating	Min. Eff.	Cooling	Min. Eff.	Thermostat	Status
Heat Pump System 1	Electric Heat Pump	6.50 HSPF	9.5	14.0 SEER2	Setback	New	

HVAC DISTRIBUTION	Location	Heating	Cooling	Duct Location	Duct R-Value	Status
Ductless MiniSplit	Ductless w/ Fan	Ductless	n/a	n/a	n/a	New

WATER HEATING	City	Type	Gallons	Min. Eff.	Distribution	Status
Heat Pump System 1	Electric Heat Pump	40	9.5	Standard	New	

2022 Single-Family Residential Mandatory Requirements Summary

- 115.01.01 Space Conditioning System Airflow Rate and Fan Energy:** Space conditioning systems that use ducts to supply cooling must have a fan for the placement of a static pressure port, or a permanently installed static pressure port in the supply plenum. Airflow must be 150 CFM per ton of nominal cooling capacity, and an air handling unit efficiency of 0.45 watts per CFM for split units and 0.45 watts per CFM for total tonnage cooling capacity, and an air handling unit efficiency of 0.52 watts per CFM. Fresh air ventilation testing is required in accordance with Reference Residential Appendix RA.1.
- 115.01.02 Ventilation and Indoor Air Quality:**
 - 115.01.02.01:** Requirements for Ventilation and Indoor Air Quality: All dwelling units must meet the requirements of ASHRAE Standard 62.2, Ventilation and Acceptable Indoor Air Quality in Residential Buildings, subject to the amendments specified in 150.0101.
 - 115.01.02.02:** Central Fan-Operated (CFO) Ventilation Systems: Conditions of operation of CFM fan handlers is not allowed to provide the required airflow rate. Fan handlers must be tested in accordance with ASHRAE 62.2-2015. Fan handlers must be tested in accordance with ASHRAE 62.2-2015. Fan handlers must be tested in accordance with ASHRAE 62.2-2015. Fan handlers must be tested in accordance with ASHRAE 62.2-2015.
 - 115.01.02.03:** Whole-Dwelling Unit Mechanical Ventilation for Single-Family Detached and Townhomes: Single-family detached dwelling units and townhomes must have mechanical ventilation as specified in 150.0104.
 - 115.01.02.04:** Local Mechanical Exhaust: Kitchens and bathrooms must have local mechanical exhaust. Over-the-range exhaust fans must have demand-controlled exhaust system meeting requirements of ASHRAE 62.2-2015. Exhaust fans must be tested in accordance with ASHRAE 62.2-2015. Exhaust fans must be tested in accordance with ASHRAE 62.2-2015. Exhaust fans must be tested in accordance with ASHRAE 62.2-2015.
 - 115.01.02.05:** Airflow Measurement and Sound Ratings: Whole-Dwelling Unit Ventilation Systems: The airflow required per 150.0101 must be measured by using a flow hood, blower, or an airflow measuring device at the diffuser outlet. The diffuser outlet must be tested in accordance with ASHRAE 62.2-2015. The diffuser outlet must be tested in accordance with ASHRAE 62.2-2015. The diffuser outlet must be tested in accordance with ASHRAE 62.2-2015.
 - 115.01.02.06:** Field Verification and Diagnostic Testing: Whole-Dwelling Unit Ventilation Systems: Field verification testing must be conducted in accordance with ASHRAE 62.2-2015. Field verification testing must be conducted in accordance with ASHRAE 62.2-2015. Field verification testing must be conducted in accordance with ASHRAE 62.2-2015.
 - 115.01.02.07:** Pilot Light: Natural gas pilot and gas heaters must not have a continuously burning pilot light.
 - 115.01.02.08:** Pool Systems and Equipment Installation: Installation of pool systems and equipment must meet the specified requirements for pumps and spa, hot tub, steam, and water.
- 115.01.03 Lighting:**
 - 115.01.03.01:** Lighting Controls and Components: All lighting control devices and systems, ballasts, and luminaires must meet the applicable requirements of 110.3.
 - 115.01.03.02:** Luminaire Efficiency: All installed luminaires must meet the applicable requirements of 110.3. All installed luminaires must meet the applicable requirements of 110.3. All installed luminaires must meet the applicable requirements of 110.3.
 - 115.01.03.03:** Recycled Downlight Luminaires in Ceilings: Luminaire recessed only ceiling must contain some base-coated, must be airtight, and must be airtight. Luminaire recessed only ceiling must contain some base-coated, must be airtight, and must be airtight.
 - 115.01.03.04:** Recycled Downlight Luminaires in Ceilings: Luminaire recessed only ceiling must contain some base-coated, must be airtight, and must be airtight.
 - 115.01.03.05:** Light Sources in Drawers, Cabinets, and Linen Closets: Light sources in drawers, cabinets and linen closets are not required to comply with 150.014, or be controlled by occupancy sensors provided they are rated to consume no more than 5 watts of power for more than 100 lumens, and an occupancy sensor that automatically turns the lighting off when the drawer, cabinet or linen closet is closed.
 - 115.01.03.06:** Interior Switches and Controls: All forward phase dimmers used with LED light sources must comply with ANSI S82.4.
 - 115.01.03.07:** Interior Switches and Controls: Exhaust fans must be controlled separately from lighting systems.
 - 115.01.03.08:** Exhaust Fans: Lighting must have readily accessible, wall-mounted controls that allow the lighting to be manually turned on and off.
 - 115.01.03.09:** Window Controls: Window controls must be tested in accordance with ASHRAE 62.2-2015. Window controls must be tested in accordance with ASHRAE 62.2-2015. Window controls must be tested in accordance with ASHRAE 62.2-2015.
 - 115.01.03.10:** Energy Management Control Systems: An energy management control system (EMCS) must be installed in accordance with the applicable requirements of 110.3. An energy management control system (EMCS) must be installed in accordance with the applicable requirements of 110.3. An energy management control system (EMCS) must be installed in accordance with the applicable requirements of 110.3.
 - 115.01.03.11:** Automatic Shut Controls: In bedrooms, garages, laundry rooms, utility rooms and walk-in closets, as well as installed luminaires must be controlled by an occupancy or vacancy sensing, occupancy or vacancy sensing, occupancy or vacancy sensing.
 - 115.01.03.12:** Dimmers: Lighting in bedrooms, garages, laundry rooms, utility rooms and walk-in closets, as well as installed luminaires must be controlled by an occupancy or vacancy sensing, occupancy or vacancy sensing, occupancy or vacancy sensing.
 - 115.01.03.13:** Independent Controls: Integrated lighting systems must be controlled independently from the lights. Lighting under cabinets or under stairs, lighting in display cabinets, and under-cabinet lighting must be controlled independently from the lights.
 - 115.01.03.14:** Residential Outdoor Lighting: For energy-efficient residential buildings, outdoor lighting permanently installed to a residential building or other building on the same lot must have a minimum cutoff angle and must be controlled by an occupancy or vacancy sensing, occupancy or vacancy sensing, occupancy or vacancy sensing.
 - 115.01.03.15:** Illuminated Addressed Advertisements: Illuminated address advertisements must comply with 140.2 to consume no more than 8 watts of power for more than 100 lumens, and an occupancy sensor that automatically turns the lighting off when the address is closed.
 - 115.01.03.16:** Energy Management Control Systems: An energy management control system (EMCS) must be installed in accordance with the applicable requirements of 110.3. An energy management control system (EMCS) must be installed in accordance with the applicable requirements of 110.3. An energy management control system (EMCS) must be installed in accordance with the applicable requirements of 110.3.
 - 115.01.03.17:** Solar Resilience: Single-family residences located in subdivisions with 10 or more single-family residences and where the applicant is a certified subdivision sponsor on the roof of any other part of the building that provides active solar energy to be used to power the building on and off.
 - 115.01.03.18:** Minimum Solar Zone Area: The solar zone must have a minimum total area as described below. The solar zone area must be controlled by an occupancy or vacancy sensing, occupancy or vacancy sensing, occupancy or vacancy sensing.
 - 115.01.03.19:** Residential Outdoor Lighting: For energy-efficient residential buildings, outdoor lighting permanently installed to a residential building or other building on the same lot must have a minimum cutoff angle and must be controlled by an occupancy or vacancy sensing, occupancy or vacancy sensing, occupancy or vacancy sensing.
 - 115.01.03.20:** Illuminated Addressed Advertisements: Illuminated address advertisements must comply with 140.2 to consume no more than 8 watts of power for more than 100 lumens, and an occupancy sensor that automatically turns the lighting off when the address is closed.
 - 115.01.03.21:** Energy Management Control Systems: An energy management control system (EMCS) must be installed in accordance with the applicable requirements of 110.3. An energy management control system (EMCS) must be installed in accordance with the applicable requirements of 110.3. An energy management control system (EMCS) must be installed in accordance with the applicable requirements of 110.3.
 - 115.01.03.22:** Automatic: All actions of the solar zone located on sleep-decked roofs must have an automatic shut-off of 30:00 of true north.
 - 115.01.03.23:** Shading: The solar zone must not contain any obstructions, including but not limited to: vents, chimneys, architectural features, and roof-mounted equipment.
 - 115.01.03.24:** Shading: Any obstructions located on the roof of any other part of the building that provides active solar energy to be used to power the building on and off must be controlled by an occupancy or vacancy sensing, occupancy or vacancy sensing, occupancy or vacancy sensing.
 - 115.01.03.25:** Minimum Solar Zone Area: The solar zone must have a minimum total area as described below. The solar zone area must be controlled by an occupancy or vacancy sensing, occupancy or vacancy sensing, occupancy or vacancy sensing.
 - 115.01.03.26:** Residential Outdoor Lighting: For energy-efficient residential buildings, outdoor lighting permanently installed to a residential building or other building on the same lot must have a minimum cutoff angle and must be controlled by an occupancy or vacancy sensing, occupancy or vacancy sensing, occupancy or vacancy sensing.
 - 115.01.03.27:** Illuminated Addressed Advertisements: Illuminated address advertisements must comply with 140.2 to consume no more than 8 watts of power for more than 100 lumens, and an occupancy sensor that automatically turns the lighting off when the address is closed.
 - 115.01.03.28:** Energy Management Control Systems: An energy management control system (EMCS) must be installed in accordance with the applicable requirements of 110.3. An energy management control system (EMCS) must be installed in accordance with the applicable requirements of 110.3. An energy management control system (EMCS) must be installed in accordance with the applicable requirements of 110.3.
 - 115.01.03.29:** Automatic: All actions of the solar zone located on sleep-decked roofs must have an automatic shut-off of 30:00 of true north.
 - 115.01.03.30:** Shading: The solar zone must not contain any obstructions, including but not limited to: vents, chimneys, architectural features, and roof-mounted equipment.
 - 115.01.03.31:** Shading: Any obstructions located on the roof of any other part of the building that provides active solar energy to be used to power the building on and off must be controlled by an occupancy or vacancy sensing, occupancy or vacancy sensing, occupancy or vacancy sensing.
 - 115.01.03.32:** Minimum Solar Zone Area: The solar zone must have a minimum total area as described below. The solar zone area must be controlled by an occupancy or vacancy sensing, occupancy or vacancy sensing, occupancy or vacancy sensing.
 - 115.01.03.33:** Residential Outdoor Lighting: For energy-efficient residential buildings, outdoor lighting permanently installed to a residential building or other building on the same lot must have a minimum cutoff angle and must be controlled by an occupancy or vacancy sensing, occupancy or vacancy sensing, occupancy or vacancy sensing.
 - 115.01.03.34:** Illuminated Addressed Advertisements: Illuminated address advertisements must comply with 140.2 to consume no more than 8 watts of power for more than 100 lumens, and an occupancy sensor that automatically turns the lighting off when the address is closed.
 - 115.01.03.35:** Energy Management Control Systems: An energy management control system (EMCS) must be installed in accordance with the applicable requirements of 110.3. An energy management control system (EMCS) must be installed in accordance with the applicable requirements of 110.3. An energy management control system (EMCS) must be installed in accordance with the applicable requirements of 110.3.
 - 115.01.03.36:** Automatic: All actions of the solar zone located on sleep-decked roofs must have an automatic shut-off of 30:00 of true north.
 - 115.01.03.37:** Shading: The solar zone must not contain any obstructions, including but not limited to: vents, chimneys, architectural features, and roof-mounted equipment.
 - 115.01.03.38:** Shading: Any obstructions located on the roof of any other part of the building that provides active solar energy to be used to power the building on and off must be controlled by an occupancy or vacancy sensing, occupancy or vacancy sensing, occupancy or vacancy sensing.
 - 115.01.03.39:** Minimum Solar Zone Area: The solar zone must have a minimum total area as described below. The solar zone area must be controlled by an occupancy or vacancy sensing, occupancy or vacancy sensing, occupancy or vacancy sensing.
 - 115.01.03.40:** Residential Outdoor Lighting: For energy-efficient residential buildings, outdoor lighting permanently installed to a residential building or other building on the same lot must have a minimum cutoff angle and must be controlled by an occupancy or vacancy sensing, occupancy or vacancy sensing, occupancy or vacancy sensing.
 - 115.01.03.41:** Illuminated Addressed Advertisements: Illuminated address advertisements must comply with 140.2 to consume no more than 8 watts of power for more than 100 lumens, and an occupancy sensor that automatically turns the lighting off when the address is closed.
 - 115.01.03.42:** Energy Management Control Systems: An energy management control system (EMCS) must be installed in accordance with the applicable requirements of 110.3. An energy management control system (EMCS) must be installed in accordance with the applicable requirements of 110.3. An energy management control system (EMCS) must be installed in accordance with the applicable requirements of 110.3.
 - 115.01.03.43:** Automatic: All actions of the solar zone located on sleep-decked roofs must have an automatic shut-off of 30:00 of true north.
 - 115.01.03.44:** Shading: The solar zone must not contain any obstructions, including but not limited to: vents, chimneys, architectural features, and roof-mounted equipment.
 - 115.01.03.45:** Shading: Any obstructions located on the roof of any other part of the building that provides active solar energy to be used to power the building on and off must be controlled by an occupancy or vacancy sensing, occupancy or vacancy sensing, occupancy or vacancy sensing.

2022 Single-Family Residential Mandatory Requirements Summary

§ 150.00	Energy Storage System (ESS) Ready: All single-family residences must meet all of the following. Either ESS-ready interconnection equipment with backed-up capacity of 60 amps or more and four or more ESS supplied branch circuits, or a dedicated raceway from the main service to a subpanel that supplies the branch circuits (§ 150.00) at least four branch circuits must be provided and have their source calculated at a single panelboard suitable to be supplied by the ESS, with one circuit supplying the refrigerator, one lighting circuit near the primary and secondary metering, one receptacle outlet, main panelboard must have a minimum busbar rating of 225 amps, sufficient space must be reserved to allow future installation of a system isolation equipment/transfer switch within 3' of the main panelboard, with necessary neutral busbar in the panelboard and the switch location to allow the connection of backup power source.
§ 150.00	Heat Pump Space Heater Ready: Systems using gas or propane furnaces to serve individual dwelling units must include: A dedicated unobstructed 240V branch circuit serving installed within 3' of the furnace with circuit conductors rated at least 30 amps with the blank cover identified as "240V ready," and a reserved main electrical service panel space to allow for the installation of a double pole circuit breaker permanently marked as "240V ready."
§ 150.00	Electric Cooktop Ready: Systems using gas or propane cooktops to serve individual dwelling units must include: A dedicated unobstructed 240V branch circuit serving installed within 3' of the cooktop with circuit conductors rated at least 30 amps with the blank cover identified as "240V ready," and a reserved main electrical service panel space to allow for the installation of a double pole circuit breaker permanently marked as "240V ready."
§ 150.00	Electric Clothes Dryer Ready: Clothes dryer locations with gas or propane plumbing to serve individual dwelling units must include: A dedicated unobstructed 240V branch circuit serving installed within 3' of the dryer location with circuit conductors rated at least 30 amps with the blank cover identified as "240V ready," and a reserved main electrical service panel space to allow for the installation of a double pole circuit breaker permanently marked as "240V ready."

*Exceptions may apply.

HVAC SYSTEM HEATING AND COOLING LOADS SUMMARY

Project Name: 1 Bedroom B 558sf Date: 4/22/2024
 System Name: Ductless Mini-split Floor Area: 558

ENGINEERING CHECKS	SYSTEM LOAD	COIL COOLING PEAK				COIL HTG. PEAK	
		CFM	Sensible	Latent	CFM	Sensible	
Number of Systems: 1							
Heating System							
Output per System: 24,000	Total Room Loads	400	7,519	206	240	8,158	
Total Output (Btu/h): 24,000	Return Ventilated Lighting	0	0	0	0	0	
Output (Btu/h): 43.0	Return Air Ducts	0	0	0	0	0	
	Return Fan	0	0	0	0	0	
	Ventilation	0	0	0	0	0	
	Supply Fan	0	0	0	0	0	
	Supply Air Ducts	0	0	0	0	0	
	TOTAL SYSTEM LOAD	7,519	-206			8,158	
Air System							
CFM per System: 0	HVAC EQUIPMENT SELECTION						
Airflow (cfm): 0	Minicool	18,012	0			7,447	
Airflow (cfm): 0.0							
Airflow (cfm): 0.0							
Outside Air (ft ³): 0.0%	Total Adjusted System Output	18,012	0			7,447	
Outside Air (cfm): 0.00	(Adjusted for Peak Occupancy)						
Note: values above given at ARI conditions	TIME OF SYSTEM PEAK			Aug 3 PM		Jan 1 AM	
HEATING SYSTEM PSYCHROMETRICS (Airstream Temperatures at Time of Heating Peak)							
COOLING SYSTEM PSYCHROMETRICS (Airstream Temperatures at Time of Cooling Peak)							

5822

BY USING THESE PERMIT READY CONSTRUCTION DOCUMENTS, THE RECIPIENT ACKNOWLEDGES, ACCEPTS AND VOLUNTARILY AFFIRMS THE FOLLOWING CONDITIONS:

- THE USE OF THIS INFORMATION IS RESTRICTED TO THE ORIGINAL PROJECT FOR WHICH IT WAS PREPARED FOR THE PERMIT READY ACCESSORY DWELLING UNIT (ADU) PROGRAM FOR THE COUNTY OF INYO ONLY. THIS IS A LIMITED SET OF STANDARDIZED ADU PLANS AND SPECIFICATIONS APPROVED BY THE COUNTY OF INYO BUILDING DEPARTMENT. BUILDING CODES DO CHANGE OVER TIME AND RECIPIENT SHALL ENSURE FULL COMPLIANCE UNDER ALL CODES THEN IN EFFECT AT THE TIME OF THE SUBJECT PERMIT. THIS DOES NOT ELIMINATE OR REDUCE THE RECIPIENT'S RESPONSIBILITY TO VERIFY ANY AND ALL INFORMATION RELEVANT TO THE RECIPIENT'S WORK AND RESPONSIBILITY ON THIS PROJECT. DESIGN PATH STUDIO SHALL NOT BE RESPONSIBLE FOR TRANSLATION ERRORS. DO NOT USE THESE CONSTRUCTION DOCUMENTS IF THE PERMIT HAS EXPIRED OR IS REVOKED AT ALL.
- THE RECIPIENT RECOGNIZES AND ACKNOWLEDGES THAT THE USE OF THIS INFORMATION WILL BE AT THEIR SOLE RISK AND WITHOUT ANY LIABILITY OR LEGAL EXPOSURE TO DESIGN PATH STUDIO. NO WARRANTIES OF ANY NATURE, WHETHER EXPRESS OR IMPLIED, SHALL ATTACH TO THESE DOCUMENTS AND THE INFORMATION CONTAINED THEREON. ANY USE, REUSE, OR ALTERATION OF THESE DOCUMENTS BY THE RECIPIENT OR BY OTHERS WILL BE AT THE RECIPIENT'S RISK AND FULL LEGAL RESPONSIBILITY. FURTHERMORE, THE RECIPIENT WILL, TO THE FULLEST EXTENT PERMITTED BY LAW, DEFEND, INDEMNIFY AND HOLD DESIGN PATH STUDIO AND ITS ARCHITECTS HARMLESS FROM ANY AND ALL CLAIMS, SUITS, LIABILITY, DEMANDS, JUDGMENTS, OR COSTS ARISING OUT OF OR RESULTING THEREFROM ANY USE OF THESE CONSTRUCTION DOCUMENTS FOR OR ON ACCOUNT OF ANY INJURY, DEATH, DAMAGE OR LOSS TO PERSONS OR PROPERTY, DIRECT OR CONSEQUENTIAL DAMAGES IN ANY AMOUNT. THIS INDEMNITY DOES NOT APPLY TO THE SOLE NEGLIGENCE OR WILLFUL MISCONDUCT OF DESIGN PATH STUDIO OR ITS ARCHITECTS.
- THE DESIGNS REPRESENTED BY THESE PLANS ARE COPYRIGHTED AND ARE SUBJECT TO COPYRIGHT PROTECTION.
- IF THE RECIPIENT DOES NOT AGREE WITH THE ABOVE CONDITIONS, DO NOT PROCEED WITH CONSTRUCTION OF AN ADU OR OTHER IMPROVEMENT UNDER THESE PLANS AT ALL.

project
 County of Inyo
 Pre-Approved
 ADU/SFD Program

- revisions
- △
 - △
 - △
 - △
 - △

description
Energy Calculations Bishop

date 2024

project no. INYO COUNTY ADU/SFDS

drawn by DESIGN PATH STUDIO

sheet no. **T24.3**

BUILDING ENERGY ANALYSIS REPORT

PROJECT:
1 Bedroom B 558sf
Inyo County, CA

Project Designer:
Design Path Studio
Encinitas, CA 92024

Report Prepared by:
Design Path Studio

Job Number:

Date:
4/22/2024

The EnergyPro software program has been used to perform the calculations presented in this compliance report. This program has approval and is authorized by the California Energy Commission for use with both the Residential and Nonresidential 2022 Building Energy Efficiency Standards. The program developed by EnergySoft, LLC - www.energysoft.com.

CERTIFICATE OF COMPLIANCE - RESIDENTIAL PERFORMANCE COMPLIANCE METHOD									
Project Name: 1 Bedroom B					Calculation Date/Time: 2024-04-22T12:30:50-07:00				
Calculation Description: Title 24 Analysis					Input File Name: 1 Bedroom B.rbd22x				
GENERAL INFORMATION									
01	Project Name				1 Bedroom B				
02	Run Title				Title 24 Analysis				
03	Project Location								
04	City				Inyo County				
05	Standards Version				2022				
06	Zip code								
07	Software Version				EnergyPro 9.2				
08	Climate Zone				14				
09	Front Orientation (deg/ Cardinal)				All orientations				
10	Building Type				Single family				
11	Number of Dwelling Units				1				
12	Project Scope				Newly Constructed				
13	Number of Bedrooms				1				
14	Addition Cond. Floor Area (ft²)				n/a				
15	Number of Stories				1				
16	Existing Cond. Floor Area (ft²)				n/a				
17	Finestration Average U-factor				0.3				
18	Total Cond. Floor Area (ft²)				558				
19	Glazing Percentage (%)				23.30%				
20	ADU Bedroom Count				n/a				
21	ADU Conditioned Floor Area				n/a				
22	Fuel Type				Natural gas				
23	No Dwelling Unit				No				
COMPLIANCE RESULTS									
01	Building Complies with Computer Performance								
02	This building incorporates features that require field testing and/or verification by a certified HERS rater under the supervision of a CE-approved HERS provider.								
03	This building incorporates one or more Special Features shown below								

Registration Number: 224-P010051242A-000-000-0000000-0000
 Registration Date/Time: 2024-04-24 08:36:56
 HERS Provider: CalCERTS Inc.
 CA Building Energy Efficiency Standards - 2022 Residential Compliance
 Report Version: 2022.0.000
 Schema Version: rev 20220901
 Report Generated: 2024-04-22 12:31:53

CERTIFICATE OF COMPLIANCE - RESIDENTIAL PERFORMANCE COMPLIANCE METHOD						
Project Name: 1 Bedroom B			Calculation Date/Time: 2024-04-22T12:30:50-07:00			
Calculation Description: Title 24 Analysis			Input File Name: 1 Bedroom B.rbd22x			
ENERGY DESIGN RATINGS						
	Energy Design Ratings			Compliance Margins		
	Source Energy (EDR1)	Efficiency ¹ EDR (EDR2Efficiency)	Total ² EDR (EDR2total)	Source Energy (EDR1)	Efficiency ¹ EDR (EDR2Efficiency)	Total ² EDR (EDR2total)
Standard Design	38.3	42.7	31.7			
Proposed Design						
North Facing	35.9	42.4	31.5	2.4	0.3	0.2
East Facing	35.4	40.9	30.6	2.9	1.8	1.1
South Facing	34.4	39.2	29.6	3.9	3.5	2.1
West Facing	34.9	40.7	30.6	3.4	2	1.1
RESULT: PASS						
¹ Efficiency EDR includes improvements like a better building envelope and more efficient equipment. ² Total EDR includes efficiency and demand response measures such as photovoltaic (PV) system and batteries. ³ Building complies when source energy, efficiency and total compliance margins are greater than or equal to zero and unmet load four limits are not exceeded. • Standard Design PV Capacity: 1.64 kWdc • Proposed PV Capacity Scaling: North (1.64 kWdc) East (1.64 kWdc) South (1.64 kWdc) West (1.64 kWdc)						

Registration Number: 224-P010051242A-000-000-0000000-0000
 Registration Date/Time: 2024-04-24 08:36:56
 HERS Provider: CalCERTS Inc.
 CA Building Energy Efficiency Standards - 2022 Residential Compliance
 Report Version: 2022.0.000
 Schema Version: rev 20220901
 Report Generated: 2024-04-22 12:31:53

CERTIFICATE OF COMPLIANCE - RESIDENTIAL PERFORMANCE COMPLIANCE METHOD							
Project Name: 1 Bedroom B				Calculation Date/Time: 2024-04-22T12:30:50-07:00			
Calculation Description: Title 24 Analysis				Input File Name: 1 Bedroom B.rbd22x			
ENERGY USE SUMMARY							
Energy Use	Standard Design Source Energy (EDR1) (kBtu/ft²-yr)	Standard Design TDV Energy (EDR2) (kTVDU/ft²-yr)	Proposed Design Source Energy (EDR1) (kBtu/ft²-yr)	Proposed Design TDV Energy (EDR2) (kTVDU/ft²-yr)	Compliance Margin (EDR1)	Compliance Margin (EDR2)	
Space Heating	3.66	16.72	5.13	37.69	-1.47	-20.97	
Space Cooling	2.13	45.96	1.51	41.83	0.62	4.13	
IAQ Ventilation	0.44	4.54	0.44	4.54	0	0	
Water Heating	4.58	42.9	2.34	25.36	2.24	17.54	
Self Utilization/Flexibility Credit				0		0	
North Facing Efficiency Compliance Total	10.81	110.12	9.42	109.42	1.39	0.7	
Space Heating	3.66	16.72	4.83	34.94	-1.17	-18.22	
Space Cooling	2.13	45.96	1.47	40.66	0.66	5.3	
IAQ Ventilation	0.44	4.54	0.44	4.54	0	0	
Water Heating	4.58	42.9	2.34	25.32	2.24	17.58	
Self Utilization/Flexibility Credit				0		0	
East Facing Efficiency Compliance Total	10.81	110.12	9.08	105.46	1.73	4.66	

Registration Number: 224-P010051242A-000-000-0000000-0000
 Registration Date/Time: 2024-04-24 08:36:56
 HERS Provider: CalCERTS Inc.
 CA Building Energy Efficiency Standards - 2022 Residential Compliance
 Report Version: 2022.0.000
 Schema Version: rev 20220901
 Report Generated: 2024-04-22 12:31:53

CERTIFICATE OF COMPLIANCE - RESIDENTIAL PERFORMANCE COMPLIANCE METHOD							
Project Name: 1 Bedroom B				Calculation Date/Time: 2024-04-22T12:30:50-07:00			
Calculation Description: Title 24 Analysis				Input File Name: 1 Bedroom B.rbd22x			
ENERGY USE INTENSITY							
Energy Use	Standard Design Source Energy (EDR1) (kBtu/ft²-yr)	Standard Design TDV Energy (EDR2) (kTVDU/ft²-yr)	Proposed Design Source Energy (EDR1) (kBtu/ft²-yr)	Proposed Design TDV Energy (EDR2) (kTVDU/ft²-yr)	Compliance Margin (EDR1)	Compliance Margin (EDR2)	
Space Heating	3.66	16.72	4.13	29.58	-0.47	-12.86	
Space Cooling	2.13	45.96	1.53	41.84	0.6	4.28	
IAQ Ventilation	0.44	4.54	0.44	4.54	0	0	
Water Heating	4.58	42.9	2.34	25.27	2.24	17.63	
Self Utilization/Flexibility Credit				0		0	
South Facing Efficiency Compliance Total	10.81	110.12	8.44	101.07	2.37	9.05	
Space Heating	3.66	16.72	4.4	32.01	-0.74	-15.29	
Space Cooling	2.13	45.96	1.58	43.09	0.55	2.87	
IAQ Ventilation	0.44	4.54	0.44	4.54	0	0	
Water Heating	4.58	42.9	2.34	25.31	2.24	17.59	
Self Utilization/Flexibility Credit				0		0	
West Facing Efficiency Compliance Total	10.81	110.12	8.76	104.95	2.05	5.17	

Registration Number: 224-P010051242A-000-000-0000000-0000
 Registration Date/Time: 2024-04-24 08:36:56
 HERS Provider: CalCERTS Inc.
 CA Building Energy Efficiency Standards - 2022 Residential Compliance
 Report Version: 2022.0.000
 Schema Version: rev 20220901
 Report Generated: 2024-04-22 12:31:53

CERTIFICATE OF COMPLIANCE - RESIDENTIAL PERFORMANCE COMPLIANCE METHOD				
Project Name: 1 Bedroom B		Calculation Date/Time: 2024-04-22T12:30:50-07:00		
Calculation Description: Title 24 Analysis		Input File Name: 1 Bedroom B.rbd22x		
ENERGY USE INTENSITY				
	Standard Design (kBtu/ft²-yr)	Proposed Design (kBtu/ft²-yr)	Compliance Margin (kBtu/ft²-yr)	Margin Percentage
North Facing				
Gross EU1 ¹	34.26	31.66	2.6	7.59
Net EU1 ²	15.82	13.22	2.6	16.43
East Facing				
Gross EU1 ¹	34.26	31.47	2.79	8.14
Net EU1 ²	15.82	13.04	2.78	17.57
South Facing				
Gross EU1 ¹	34.26	30.89	3.37	9.84
Net EU1 ²	15.82	12.46	3.36	21.24
West Facing				
Gross EU1 ¹	34.26	31.05	3.21	9.37
Net EU1 ²	15.82	12.62	3.2	20.23
Notes: 1. Gross EU1 is Energy Use Total (not including PV) / Total Building Area. 2. Net EU1 is Energy Use Total (including PV) / Total Building Area.				

Registration Number: 224-P010051242A-000-000-0000000-0000
 Registration Date/Time: 2024-04-24 08:36:56
 HERS Provider: CalCERTS Inc.
 CA Building Energy Efficiency Standards - 2022 Residential Compliance
 Report Version: 2022.0.000
 Schema Version: rev 20220901
 Report Generated: 2024-04-22 12:31:53

CERTIFICATE OF COMPLIANCE - RESIDENTIAL PERFORMANCE COMPLIANCE METHOD											
Project Name: 1 Bedroom B						Calculation Date/Time: 2024-04-22T12:30:50-07:00					
Calculation Description: Title 24 Analysis						Input File Name: 1 Bedroom B.rbd22x					
REQUIRED PV SYSTEMS											
01	02	03	04	05	06	07	08	09	10	11	12
DC System Size (kWdc)	Exception	Module Type	Array Type	Power Electronics	CFI	Azimuth (deg)	Tilt	Array Angle (deg)	Tilt: (x in 12)	Inverter Eff. (%)	Annual Solar Access (%)
1.64	NA	Standard (14-17N)	Fixed	none	true	150-270	n/a	n/a	<=7-12	96	98
REQUIRED SPECIAL FEATURES											
The following are features that must be installed as condition for meeting the modeled energy performance for this computer analysis. • Variable capacity heat pump compliance option (verification details from VCHP Staff report, Appendix B, and RA3) • Slab Edge Insulation • Northwest Energy Efficiency Alliance (NEEA) rated heat pump water heater, specific brand/model, or equivalent, must be installed.											
HERS FEATURE SUMMARY											
The following is a summary of the features that must be field-verified by a certified HERS Rater as a condition for meeting the modeled energy performance for this computer analysis. Additional detail is provided in the building tables below. Registered CF2Rs and CF3Rs are required to be completed in the HERS Registry. • Quality insulation installation (QII) • Indoor air quality ventilation • Kitchen range hood • Verified Refrigerant Charge • Airflow in habitable rooms (SC3.1.4.1.7) • Verified HSPV • Verified heat pump rated heating capacity • Wall-mounted thermostat in zones greater than 150 ft² (SC3.4.5) • Ductless indoor units located entirely in conditioned space (DC3.1.4.1.8)											
BUILDING - FEATURES INFORMATION											
01	02	03	04	05	06	07					
Project Name	Conditioned Floor Area (ft²)	Number of Dwelling Units	Number of Bedrooms	Number of Zones	Number of Ventilation Cooling Systems	Number of Water Heating Systems					
1 Bedroom B	558	1	1	1	0	1					

Registration Number: 224-P010051242A-000-000-0000000-0000
 Registration Date/Time: 2024-04-24 08:36:56
 HERS Provider: CalCERTS Inc.
 CA Building Energy Efficiency Standards - 2022 Residential Compliance
 Report Version: 2022.0.000
 Schema Version: rev 20220901
 Report Generated: 2024-04-22 12:31:53

CERTIFICATE OF COMPLIANCE - RESIDENTIAL PERFORMANCE COMPLIANCE METHOD													
Project Name: 1 Bedroom B							Calculation Date/Time: 2024-04-22T12:30:50-07:00						
Calculation Description: Title 24 Analysis							Input File Name: 1 Bedroom B.rbd22x						
ZONE INFORMATION													
01	02	03	04	05	06	07							
Zone Name	Zone Type	HVAC System Name	Zone Floor Area (ft²)	Avg. Ceiling Height	Water Heating System 1	Status							
1 Bedroom B Unit	Conditioned	Ductless MiniSplit1	558	8	DHW Sys 1	New							
OPaque SURFACES													
01	02	03	04	05	06	07							
Name	Zone	Construction	Azimuth	Orientation	Gross Area (ft²)	Window and Door Area (ft²)	Tilt (deg)						
Front Wall	1 Bedroom B Unit	R-19 Wall	0	Front	156	48	90						
Left Wall	1 Bedroom B Unit	R-19 Wall	90	Left	220	13.5	90						
Rear Wall	1 Bedroom B Unit	R-19 Wall	180	Back	156	22.5	90						
Right Wall	1 Bedroom B Unit	R-19 Wall	270	Right	220	46	90						
OPaque SURFACES - CATHEDRAL CEILING													
01	02	03	04	05	06	07	08	09	10				
Name	Zone	Construction	Azimuth	Orientation	Area (ft²)	Skylight Area (ft²)	Roof Rise (x in 12)	Roof Reflectance	Roof Emittance	Cool Roof			
Roof	1 Bedroom B Unit	R-19 Roof No Attic	0	Front	558	0	4	0.1	0.85	No			
FENESTRATION / GLAZING													
01	02	03	04	05	06	07	08	09	10	11	12	13	14
Name	Type	Surface	Orientation	Azimuth	Width (ft)	Height (ft)	Mult.	Area (ft²)	U-factor	U-factor Source	SHGC	SHGC Source	Exterior Shading
Window E	Window	Front Wall	Front	0				1 14	0.3	NFR	0.23	NFR	Bug Screen
Door 1	Window	Front Wall	Front	0				1 20	0.3	NFR	0.23	NFR	Bug Screen
Window E 2	Window	Front Wall	Front	0				1 14	0.3	NFR	0.23	NFR	Bug Screen

Registration Number: 224-P010051242A-000-000-0000000-0000
 Registration Date/Time: 2024-04-24 08:36:56
 HERS Provider: CalCERTS Inc.
 CA Building Energy Efficiency Standards - 2022 Residential Compliance
 Report Version: 2022.0.000
 Schema Version: rev 20220901
 Report Generated: 2024-04-22 12:31:53

CERTIFICATE OF COMPLIANCE - RESIDENTIAL PERFORMANCE COMPLIANCE METHOD													
Project Name: 1 Bedroom B							Calculation Date/Time: 2024-04-22T12:30:50-07:00						
Calculation Description: Title 24 Analysis							Input File Name: 1 Bedroom B.rbd22x						
FENESTRATION / GLAZING													
01	02	03	04	05	06	07	08	09	10	11	12	13	14
Name	Type	Surface	Orientation	Azimuth	Width (ft)	Height (ft)	Mult.	Area (ft²)	U-factor	U-factor Source	SHGC	SHGC Source	Exterior Shading
Window A	Window	Left Wall	Left	90				1 10.5	0.3	NFR	0.23	NFR	Bug Screen
Window B	Window	Left Wall	Left	90				1 3	0.3	NFR	0.23	NFR	Bug Screen
Window C	Window	Rear Wall	Back	180				1 4.5	0.3	NFR	0.23	NFR	Bug Screen
Window D	Window	Rear Wall	Back	180				1 1.8	0.3	NFR	0.23	NFR	Bug Screen
Window E 3	Window	Right Wall	Right	270				1 14	0.3	NFR	0.23	NFR	Bug Screen
Window D 2	Window	Right Wall	Right	270				1 1.8	0.3	NFR	0.23	NFR	Bug Screen
Window E 4	Window	Right Wall	Right	270				1 14	0.3	NFR	0.23	NFR	Bug Screen
SLAB FLOORS													
01	02	03	04	05	06	07							
Name	Zone	Area (ft²)	Perimeter (ft)	Edge Insul. R-value and Depth	Edge Insul. R								

CERTIFICATE OF COMPLIANCE - RESIDENTIAL PERFORMANCE COMPLIANCE METHOD
Project Name: 1 Bedroom B
Calculation Description: Title 24 Analysis
Input File Name: 1 Bedroom B.rhb22x

Table with 8 columns: Construction Name, Surface Type, Construction Type, Framing, Total R-value, Interior/Exterior Continuous R-value, U-factor, Assembly Layers. Row 1: R-19 Roof No Attic, Cathedral Ceilings, Wood Framed Ceiling, 2x8 @ 16 in. O.C., R-19, None / None, 0.054, Roofing: Light Roof (Asphalt Shingle) Roof Deck: Wood Siding/Sheathing/Decking Cavity / Frame: R-19 / 2x8 Inside Finish: Gypsum Board

Table with 5 columns: Quality Insulation Installation (QII), High R-value Spray Foam Insulation, Building Envelope Air Leakage, CFM50, CFM50. Row 1: Required, Not Required, N/A, n/a, n/a

Table with 9 columns: Name, System Type, Distribution Type, Water Heater Name, Number of Units, Solar Heating System, Compact Distribution, HERS Verification, Water Heater Name (#). Row 1: DHW Sys 1, Domestic Hot Water (DHW), Standard, DHW Heater 1, 1, n/a, None, n/a, DHW Heater 1 (1)

Table with 8 columns: Name, # of Units, Tank Vol. (gal), NEA Heat Pump Brand, NEA Heat Pump Model, Tank Location, Duct Inlet Air Source, Duct Outlet Air Source. Row 1: DHW Heater 1, 1, 40, Rheem, PROPHAD T2 RH37530 (40 gal, JK13), Outside, 1 Bedroom B Unit, 1 Bedroom B Unit

Registration Number: 224-P0100512424-000-000-0000000-0000 Registration Date/Time: 2024-04-24 08:36:56 HERS Provider: CaCERTS, Inc. CA Building Energy Efficiency Standards - 2022 Residential Compliance Report Version: 2022.0.0000 Schema Version: rev 20220901 Report Generated: 2024-04-22 12:31:53

CERTIFICATE OF COMPLIANCE - RESIDENTIAL PERFORMANCE COMPLIANCE METHOD
Project Name: 1 Bedroom B
Calculation Description: Title 24 Analysis
Input File Name: 1 Bedroom B.rhb22x

Table with 7 columns: Name, Pipe Insulation, Parallel Piping, Compact Distribution Type, Compact Distribution Type, Recirculation Control, Shower Drain Water Heat Recovery. Row 1: DHW Sys 1 - 1/2, Not Required, Not Required, Not Required, None, Not Required, Not Required

Table with 9 columns: Name, System Type, Heating Unit Name, Heating Equipment Count, Cooling Unit Name, Cooling Equipment Count, Fan Name, Distribution Name, Required Thermostat Type. Row 1: Ductless MiniSplit1, Heat pump heating cooling, Heat Pump System 1, 1, Heat Pump System 1, 1, n/a, n/a, Setback

Table with 13 columns: Name, System Type, Number of Units, Heating HSPF/HSPF2/CDP, Heating Cap 47, Heating Cap 17, Cooling EER/SEER/ERK, Cooling EER/SEER/ERK, Tonally Controlled, Compressor Type, HERS Verification. Row 1: Heat Pump System 1, VCHP-Ductless, 1, HSPF, 9.5, 24000, 22000, EERSEER, 14, 11.7, Not Zonal, Single Speed, Heat Pump System 1-Hers-Rtump

Table with 9 columns: Name, Verified Airflow, Airflow Target, Verified EER/SEER, Verified SEER/SEER, Verified HSPF/HSPF2, Verified Heating Cap 47, Verified Heating Cap 17. Row 1: Heat Pump System 1-Hers-Rtump, Not Required, 0, Not Required, Not Required, Yes, Yes, Yes, Yes

Registration Number: 224-P0100512424-000-000-0000000-0000 Registration Date/Time: 2024-04-24 08:36:56 HERS Provider: CaCERTS, Inc. CA Building Energy Efficiency Standards - 2022 Residential Compliance Report Version: 2022.0.0000 Schema Version: rev 20220901 Report Generated: 2024-04-22 12:31:53

CERTIFICATE OF COMPLIANCE - RESIDENTIAL PERFORMANCE COMPLIANCE METHOD
Project Name: 1 Bedroom B
Calculation Description: Title 24 Analysis
Input File Name: 1 Bedroom B.rhb22x

Table with 10 columns: Name, Certified Low-Static VCHP System, Airflow to Habitable Rooms, Ductless Units in Conditioned Space, Wall/Mount Thermostat, Air Filter Sizing & Pressure Drop Rating, Low Leakage Ducts in Conditioned Space, Minimum Airflow per RA3.3 and SC3.3.A.1, Certified non-continuous Fan, Indoor Fan not Running Continuously. Row 1: Heat Pump System 1, Not required, Required, Required, Required, Not required, Not required, Not required, Not required, Not required

Table with 9 columns: Dwelling Unit, Airflow (CFM), Fan Efficiency (W/CFM), IAQ Fan Type, Includes Heat/Energy Recovery?, IAQ Recovery SRE/ASRE, Includes Fault Indicator Display?, HERS Verification, Status. Row 1: 5Fam IAQventHgt, 31, 0.35, Exhaust, No, n/a / n/a, No, Yes, Yes

Registration Number: 224-P0100512424-000-000-0000000-0000 Registration Date/Time: 2024-04-24 08:36:56 HERS Provider: CaCERTS, Inc. CA Building Energy Efficiency Standards - 2022 Residential Compliance Report Version: 2022.0.0000 Schema Version: rev 20220901 Report Generated: 2024-04-22 12:31:53

CERTIFICATE OF COMPLIANCE - RESIDENTIAL PERFORMANCE COMPLIANCE METHOD
Project Name: 1 Bedroom B
Calculation Description: Title 24 Analysis
Input File Name: 1 Bedroom B.rhb22x

Table with 2 columns: Documentation Author Name, Signature Date. Row 1: Yvonne St Pierre, 2024-04-24 08:36:56

Table with 2 columns: Design Path Studio, PO Box 230165, Encinitas, CA 92023, Phone: 619-292-8807

Table with 2 columns: Responsible Person Name, Signature Date. Row 1: Yvonne St Pierre, 2024-04-24 08:36:56

Table with 2 columns: Design Path Studio, PO Box 230165, Encinitas, CA 92023, Phone: 619-292-8807

Digitally signed by CaCERTS. This digital signature is provided in order to assure the content of this registered document, and in no way implies Registration Provider responsibility for the accuracy of the information.

Registration Number: 224-P0100512424-000-000-0000000-0000 Registration Date/Time: 2024-04-24 08:36:56 HERS Provider: CaCERTS, Inc. CA Building Energy Efficiency Standards - 2022 Residential Compliance Report Version: 2022.0.0000 Schema Version: rev 20220901 Report Generated: 2024-04-22 12:31:53

RESIDENTIAL MEASURES SUMMARY RMS-1. Table with columns: Construction Type, Area, Special Features, Status. Includes sections for INSULATION, FENESTRATION, HVAC SYSTEMS, and WATER HEATING.

2022 Single-Family Residential Mandatory Requirements Summary. Table with columns: Section, Description. Includes sections for Space Conditioning System Airflow Rate and Fan Efficiency, Ventilation and Indoor Air Quality, and Water Heating.

2022 Single-Family Residential Mandatory Requirements Summary. Table with columns: Section, Description. Includes sections for Building Envelope, Fenestration, HVAC Systems, and Water Heating.

2022 Single-Family Residential Mandatory Requirements Summary. Table with columns: Section, Description. Includes sections for Space Conditioning System Airflow Rate and Fan Efficiency, Ventilation and Indoor Air Quality, and Water Heating.

2022 Single-Family Residential Mandatory Requirements Summary. Table with columns: Section, Description. Includes sections for Pilot Lights, Building Envelope, Fenestration, HVAC Systems, and Water Heating.

project
County of Inyo
Pre-Approved
ADU/SFD Program
revisions
description
Energy Calculations
Death Valley
date 2024
project no. INYO COUNTY/SDFS
drawn by DESIGN PATH STUDIO
sheet no. T24.5

2022 Single-Family Residential Mandatory Requirements Summary

§ 150.00	Energy Storage System (ESS) Ready: All single-family residences must meet all of the following: Either ESS-ready interconnection equipment with backed-up capacity of 60 amps or more and four or more ESS supplied branch circuits, or a dedicated raceway from the main service to a subpanel that supplies the branch circuits (§ 150.00) or at least four branch circuits must be identified and have their source calculated at a single panelboard suitable to be supplied by the ESS, with one circuit supplying the refrigerator, one lighting circuit near the primary and secondary metering, one receptacle outlet, one panelboard must have a minimum feeder rating of 225 amps, sufficient space must be reserved to allow future installation of a system isolation equipment/transfer switch within 3' of the main panelboard, with necessary reserved space in the panelboard and the switch location to allow the connection of feeding power source.
§ 150.00	Heat Pump Space Heater Ready: Systems using gas or propane furnaces to serve individual dwelling units must include: A dedicated unobstructed 240V branch circuit wiring installed within 3' of the furnace with circuit conductors rated at least 30 amps with the blank cover identified as "240V ready," and a reserved main electrical service panel space to allow for the installation of a double pole circuit breaker permanently marked as "240V ready."
§ 150.00	Electric Cooktop Ready: Systems using gas or propane cooktops to serve individual dwelling units must include: A dedicated unobstructed 240V branch circuit wiring installed within 3' of the cooktop with circuit conductors rated at least 30 amps with the blank cover identified as "240V ready," and a reserved main electrical service panel space to allow for the installation of a double pole circuit breaker permanently marked as "240V ready."
§ 150.00	Electric Clothes Dryer Ready: Clothes dryer locations with gas or propane plumbing to serve individual dwelling units must include: A dedicated unobstructed 240V branch circuit wiring installed within 3' of the dryer location with circuit conductors rated at least 30 amps with the blank cover identified as "240V ready," and a reserved main electrical service panel space to allow for the installation of a double pole circuit breaker permanently marked as "240V ready."

*Exceptions may apply.

HVAC SYSTEM HEATING AND COOLING LOADS SUMMARY

Project Name: 1 Bedroom B 558sf Date: 4/22/2024
 System Name: Ductless Mini-split Floor Area: 558

ENGINEERING CHECKS	SYSTEM LOAD	COIL COOLING PEAK				COIL INTO PEAK	
		CFM	Sensible	Latent	CFM	Sensible	
Number of Systems: 1							
Heating System							
Output per System: 24,000	Total Room Loads: 270	8,048	291	467	7,287		
Total Output (Btu/h): 24,000	Return Ventilated Lighting: 0						
Output (Btu/h): 43.0	Return Air Ducts: 0						
	Return Fan: 0						
Cooling System							
Output per System: 24,000	Ventilation: 0	0	0	0	0	0	
Total Output (Btu/h): 24,000	Supply Fan: 0						
Total Output (Tons): 2.0	Supply Air Ducts: 0						
Total Output (Btu/h): 43.0	TOTAL SYSTEM LOAD	8,048	291				
Total Output (kBtu/Year): 278.9							
Air System							
CFM per System: 0	HVAC EQUIPMENT SELECTION						
Airflow (cfm): 0	Minicool: 19,425	0			15,432		
Airflow (cfm): 0.0							
Airflow (cfm): 0.0							
Outside Air (%): 0.0%	Total Adjusted System Output	19,425	0		15,432		
Outside Air (cfm): 0.0	(Adjusted for Peak Cooling Conditions)						
Note: values above given at ARI conditions	TIME OF SYSTEM PEAK						

HEATING SYSTEM PSYCHROMETRICS (Airstream Temperature at Time of Heating Peak)

COOLING SYSTEM PSYCHROMETRICS (Airstream Temperature at Time of Cooling Peak)

5822

BY USING THESE PERMIT READY CONSTRUCTION DOCUMENTS, THE RECIPIENT ACKNOWLEDGES, ACCEPTS AND VOLUNTARILY AFFIRMS THE FOLLOWING CONDITIONS:
 1. THE USE OF THIS INFORMATION IS RESTRICTED TO THE ORIGINAL PROJECT FOR WHICH IT WAS PREPARED FOR THE PERMIT READY ACCESSORY DWELLING UNIT (ADU) PROGRAM FOR THE COUNTY OF INYO ONLY. THIS IS A LIMITED SET OF STANDARDIZED ADU PLANS AND SPECIFICATIONS APPROVED BY THE COUNTY OF INYO BUILDING DEPARTMENT. BUILDING CODES DO CHANGE OVER TIME AND RECIPIENT SHALL ENSURE FULL COMPLIANCE UNDER ALL CODES THEN IN EFFECT AT THE TIME OF THE SUBJECT PERMIT. THIS DOES NOT ELIMINATE OR REDUCE THE RECIPIENT'S RESPONSIBILITY TO VERIFY ANY AND ALL INFORMATION RELEVANT TO THE RECIPIENT'S WORK AND RESPONSIBILITY ON THIS PROJECT. DESIGN PATH STUDIO SHALL NOT BE RESPONSIBLE FOR TRANSLATION ERRORS. DO NOT USE THESE CONSTRUCTION DOCUMENTS IF THE PERMIT HAS EXPIRED OR IS REVOKED AT ALL.
 2. THE RECIPIENT RECOGNIZES AND ACKNOWLEDGES THAT THE USE OF THIS INFORMATION WILL BE AT THEIR SOLE RISK AND WITHOUT ANY LIABILITY OR LEGAL EXPOSURE TO DESIGN PATH STUDIO. NO WARRANTIES OF ANY NATURE, WHETHER EXPRESS OR IMPLIED, SHALL ATTACH TO THESE DOCUMENTS AND THE INFORMATION CONTAINED THEREON. ANY USE, REUSE, OR ALTERATION OF THESE DOCUMENTS BY THE RECIPIENT OR BY OTHERS WILL BE AT THE RECIPIENT'S RISK AND FULL LEGAL RESPONSIBILITY. FURTHERMORE, THE RECIPIENT WILL, TO THE FULLEST EXTENT PERMITTED BY LAW, DEFEND, INDEMNIFY AND HOLD DESIGN PATH STUDIO AND ITS ARCHITECTS HARMLESS FROM ANY AND ALL CLAIMS, SUITS, LIABILITY, DEMANDS, JUDGMENTS, OR COSTS ARISING OUT OF OR RESULTING THERE FROM ANY USE OF THESE CONSTRUCTION DOCUMENTS FOR OR ON ACCOUNT OF ANY INJURY, DEATH, DAMAGE OR LOSS TO PERSONS OR PROPERTY, DIRECT OR CONSEQUENTIAL DAMAGES IN ANY AMOUNT. THIS INDEMNITY DOES NOT APPLY TO THE SOLE NEGLIGENCE OR WILLFUL MISCONDUCT OF DESIGN PATH STUDIO OR ITS ARCHITECTS.
 3. THE DESIGNS REPRESENTED BY THESE PLANS ARE COPYRIGHTED AND ARE SUBJECT TO COPYRIGHT PROTECTION.
 4. IF THE RECIPIENT DOES NOT AGREE WITH THE ABOVE CONDITIONS, DO NOT PROCEED WITH CONSTRUCTION OF AN ADU OR OTHER IMPROVEMENT UNDER THESE PLANS AT ALL.

project
 County of Inyo
 Pre-Approved
 ADU/SFD Program

revisions
 △
 △
 △
 △
 △

description
 Energy
 Calculations
 Death Valley

date 2024

project no. INYO COUNTY ADU/SFDs

drawn by DESIGN PATH STUDIO

sheet no. T24.6