

INDEX OF SHEETS

1. TITLE AND LOCATION MAP
2. SITE PLAN



COUNTY OF INYO  
 DEPARTMENT OF PUBLIC WORKS  
**PLANS FOR THE  
 WATER DEPARTMENT BUILDING ROOF SEALING PROJECT  
 AT  
 WATER DEPARTMENT BUILDING, INDEPENDENCE, CA**

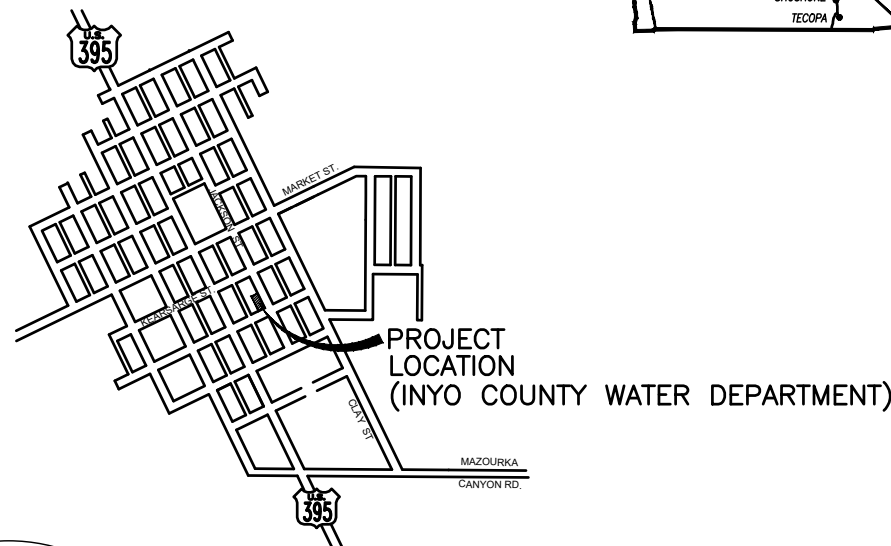
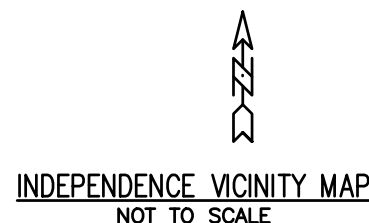
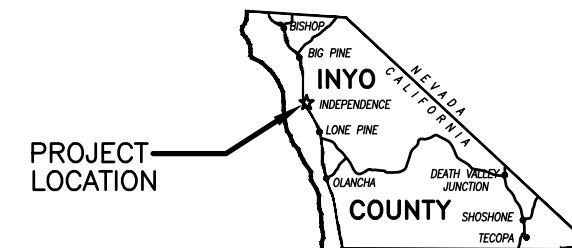
PROJECT. NO. ZP 16-058



GENERAL NOTES

1. THE CONTRACTOR SHALL IMMEDIATELY NOTIFY THE ENGINEER OF DISCREPANCIES BETWEEN THE INFORMATION SHOWN ON THESE DRAWINGS AND THE CONDITIONS EXISTING IN THE FIELD. THE CONTRACTOR SHALL COMPARE ALL DRAWINGS AND VERIFY THE FIGURES BEFORE LAYING OUT THE WORK AND WILL BE RESPONSIBLE FOR ANY ERRORS WHICH MIGHT HAVE BEEN AVOIDED THEREBY. IF THE CONTRACTOR FAILS TO NOTIFY THE ENGINEER IN A TIMELY MANNER OF ANY APPARENT ERROR OR OMISSION ON THE PLANS OR SPECIFICATIONS, THE CONTRACTOR SHALL BE RESPONSIBLE FOR CORRECTING WORK INCORRECTLY DONE AT THE CONTRACTOR'S OWN EXPENSE.
2. PAYMENT FOR WORK SHOWN ON THESE PLANS EITHER SPECIFIED OR INFERRED, BUT NOT IN THE BID PROPOSAL SHALL BE CONSIDERED AS INCLUDED IN OTHER ITEMS OF WORK.
3. ALL CONSTRUCTION AND MATERIALS SHALL CONFORM TO THESE PLANS AND SPECIFICATIONS, THE OCCUPATIONAL SAFETY AND HEALTH ADMINISTRATION STANDARDS, THE 2015 INTERNATIONAL BUILDING CODE (IBC), THE 2013 CALIFORNIA BUILDING CODE (CBC), THE 2013 UNIFORM BUILDING CODE (UBC), THE UNIFORM FIRE CODE (UFC), AND OTHER GOVERNING REGULATIONS.
4. ALL CONSTRUCTION WILL BE SUBJECT TO FINAL APPROVAL BY THE INYO COUNTY PUBLIC WORKS DEPARTMENT.
5. INSPECTION DURING CONSTRUCTION SHALL BE REQUIRED TO ENSURE CONSTRUCTION MATERIALS AND METHODS ARE IN ACCORDANCE WITH THE INYO COUNTY PUBLIC WORKS STANDARD SPECIFICATIONS AND THESE PLANS .
6. THE PROJECT SHALL BE BUILT PER PLAN. ALL FIELD CHANGES MUST BE PRE-APPROVED BY THE INYO COUNTY ENGINEER.
7. IN ACCORDANCE WITH THE GENERALLY ACCEPTED CONSTRUCTION PRACTICES, THE CONTRACTOR WILL BE SOLELY AND COMPLETELY RESPONSIBLE FOR THE CONDITIONS AT THE JOB SITE, INCLUDING SAFETY OF ALL PERSONS AND PROPERTY DURING PERFORMANCE OF THE WORK. THIS REQUIREMENT WILL APPLY CONTINUOUSLY AND NOT BE LIMITED TO NORMAL WORKING HOURS. THE DUTIES OF THE PROJECT CIVIL ENGINEER DO NOT INCLUDE REVIEW OF THE ADEQUACY OF THE CONTRACTOR'S SAFETY IN, ON OR NEAR THE CONSTRUCTION SITE.

8. PROJECT LOCATION: INYO COUNTY WATER DEPARTMENT BUILDING  
135 S. JACKSON STREET, INDEPENDENCE, CA



  
 CLINT G. QUILTER, DIRECTOR  
 INYO COUNTY PUBLIC WORKS

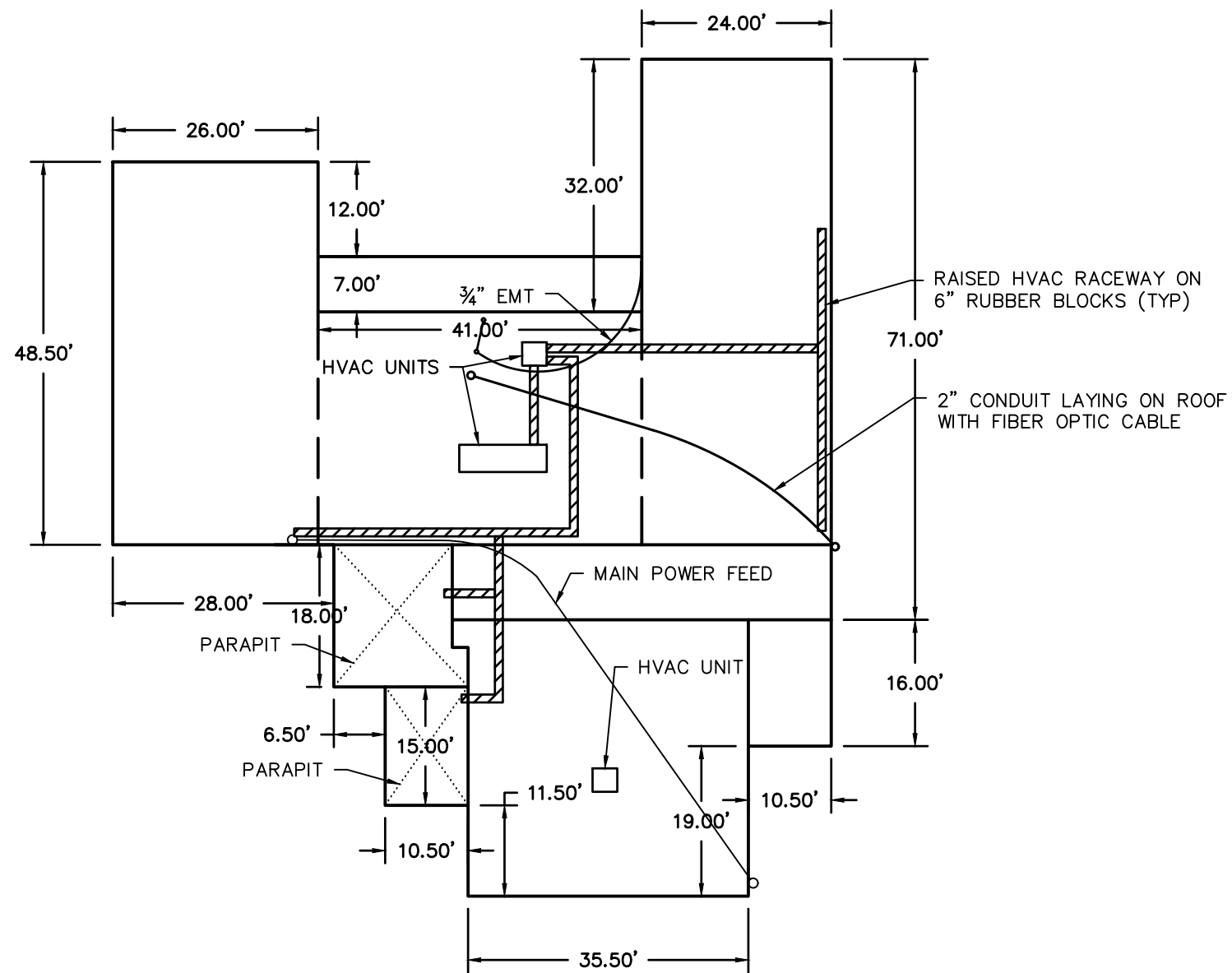
8/7/17

DATE

Drawing Prepared by: <b>INYO COUNTY PUBLIC WORKS</b> 168 N. Edwards, P.O. Drawer Q Independence, CA 93526 (760) 878-0201		INYO COUNTY WATER DEPARTMENT ROOF SEALING PROJECT INDEPENDENCE, CA	
Drawn by: TAD Date: DEC. 2016	Checked By: MA Date: DEC. 2016	Date: DECEMBER 2016	Drawing Name: TITLE SHEET
			SHEET 1 OF 2

Z:\OPEN PROJECTS\3-Deferred Maintenance\Water Department Roof-ZP-16-058\200-Preliminary Engineering\210-Plans, Specs & Estimates\211-Plans\Water Department Building Roofing.dwg

Z:\OPEN PROJECTS\3-Deferred Maintenance\Water Department Roof-ZP-16-058\200-Preliminary Engineering\210-Plans, Specs & Estimates\211-Plans\Water Department Building Roofing.dwg



**WATER DEPARTMENT BUILDING**  
SCALE: 1"=20'

Drawing Prepared by: <b>INYO COUNTY PUBLIC WORKS</b> 168 N. Edwards, P.O. Drawer Q Independence, CA 93526 (760) 878-0201		INYO COUNTY WATER DEPARTMENT ROOF SEALING PROJECT INDEPENDENCE, CA	
Drawn by: TAD	Date: DEC. 2016	Checked By: MA	Date: DEC. 2016
Date: DECEMBER 2016		Drawing Name: SITE PLAN	SHEET 2 OF 2